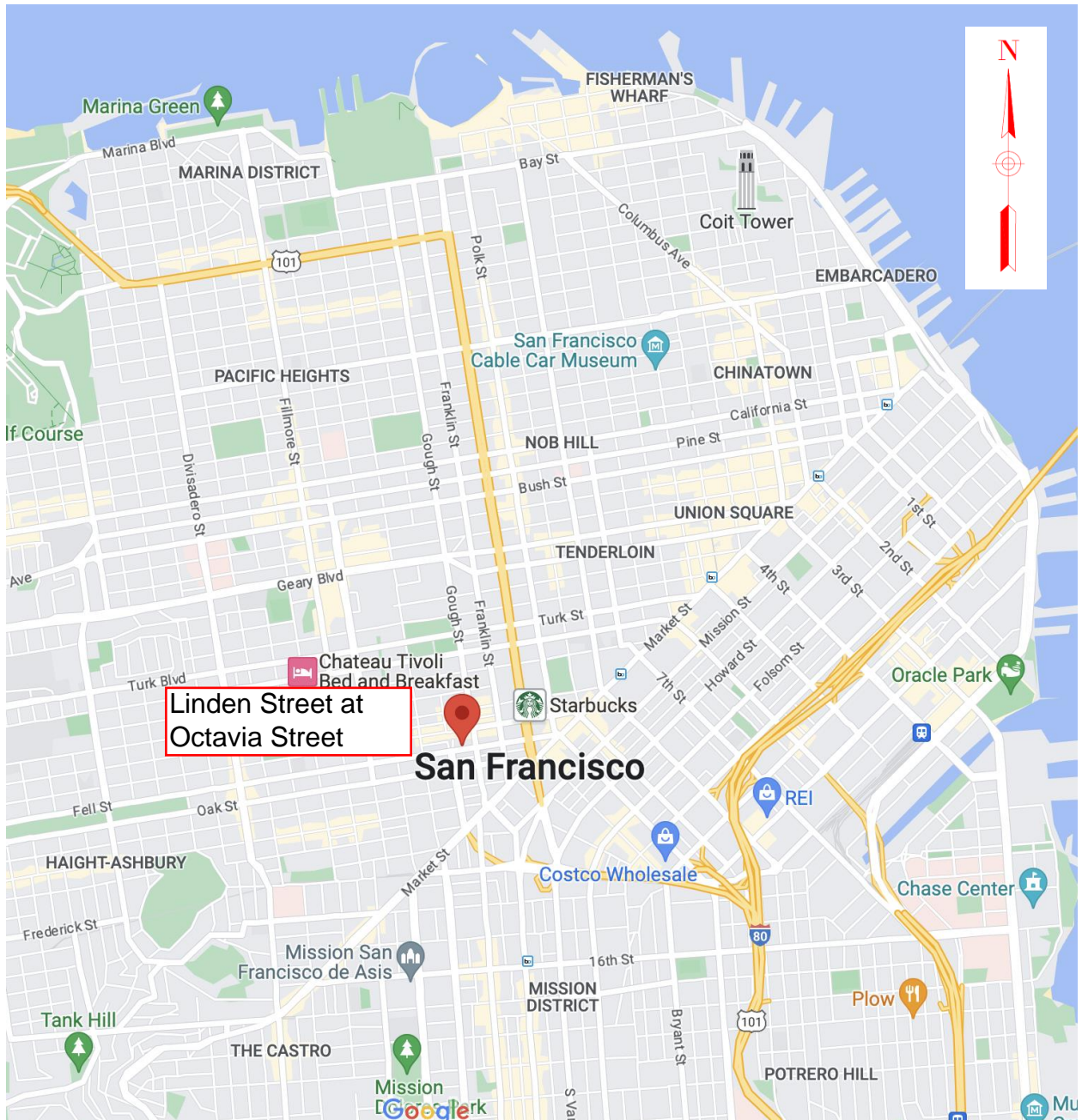
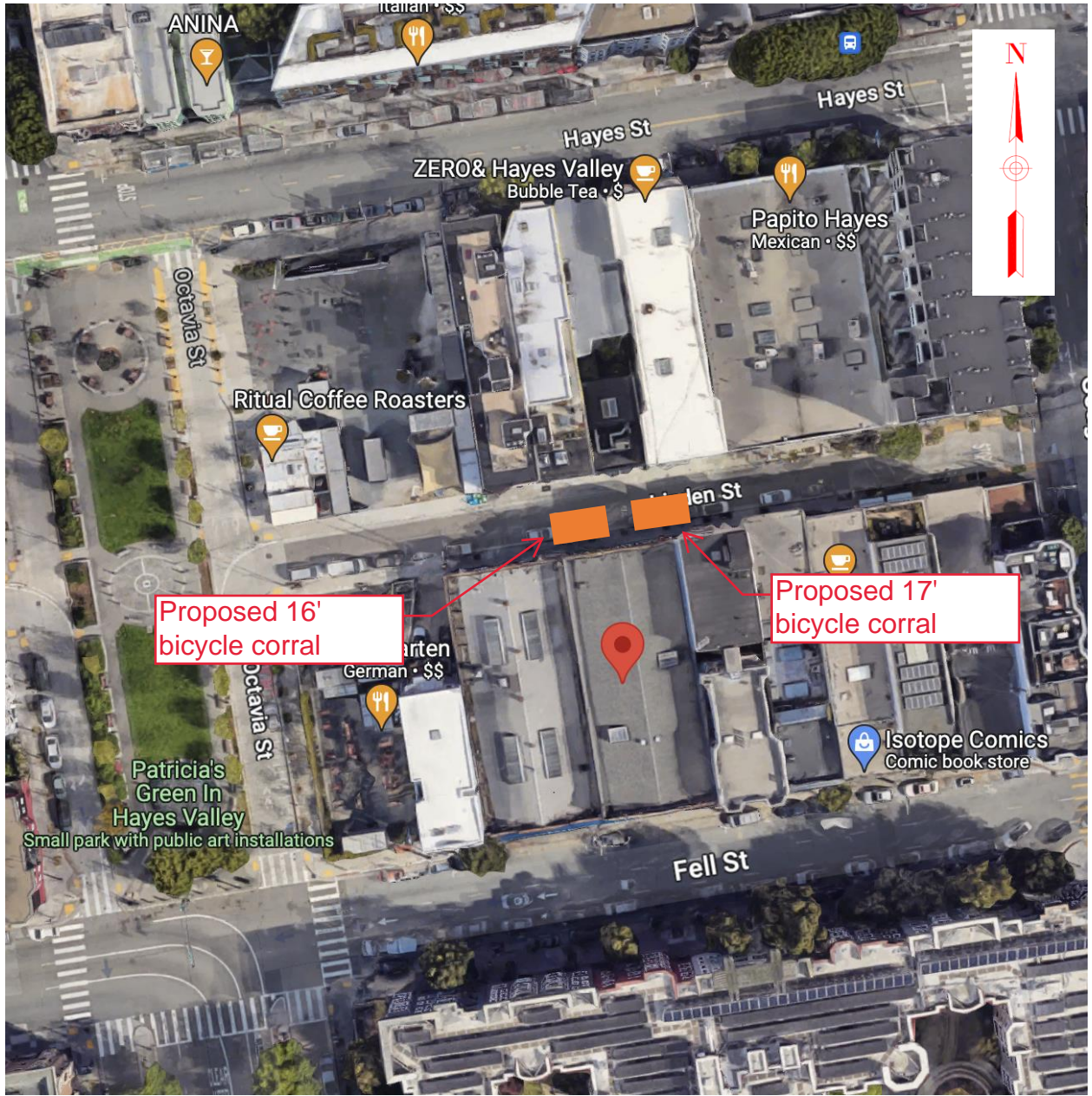


SFMTA - TASC SUMMARY SHEET

PreStaff_Date: 12/21/23	<input type="checkbox"/> Public Hearing Consent	No objections: _____
Requested_by: SFMTA	<input checked="" type="checkbox"/> Public Hearing Regular	Item Held: _____
Handled: Jason Hyde <i>LS</i>	<input type="checkbox"/> Informational / Other <small>PH - Regular</small>	Other: _____
Section Head : M. Sallaberry <i>MS</i>		
Location: Linden Street at Octavia Street		
Subject: On Street Bicycle Parking		
PROPOSAL / REQUEST: ESTABLISH – NO PARKING ANYTIME EXCEPT BICYCLES Linden Street, south side, from 76 feet to 92 feet east of Octavia Street (removes General Metered Parking Space #329). Linden Street, south side, from 113 feet to 130 feet east of Octavia Street (removes General Metered Parking Space #325). (Supervisor District 5) This proposal would establish two (2) on-street bicycle corrals in two (2) existing general metered parking spaces on Linden Street at Octavia Street. Jason Hyde, jason.hyde@sfmta.com		
BACKGROUND INFORMATION / COMMENTS This proposal establishes two (2) bike corral on the south side of Linden Street replacing (2) General Metered Parking Spaces #329 and #325 at the request of adjacent business.		
HEARING NOTIFICATION AND PROCESSING NOTES:	ENVIRONMENTAL CLEARANCE BY: <input checked="" type="checkbox"/> SFMTA <input type="checkbox"/> Attached <input type="checkbox"/> Pending	
CHECK IF PREPARING SEPARATE SFMTA BOARD CALENDAR ITEM FOR PROPOSAL: <input type="checkbox"/>		

TASC PACKET – Proposed Bike Corral Location



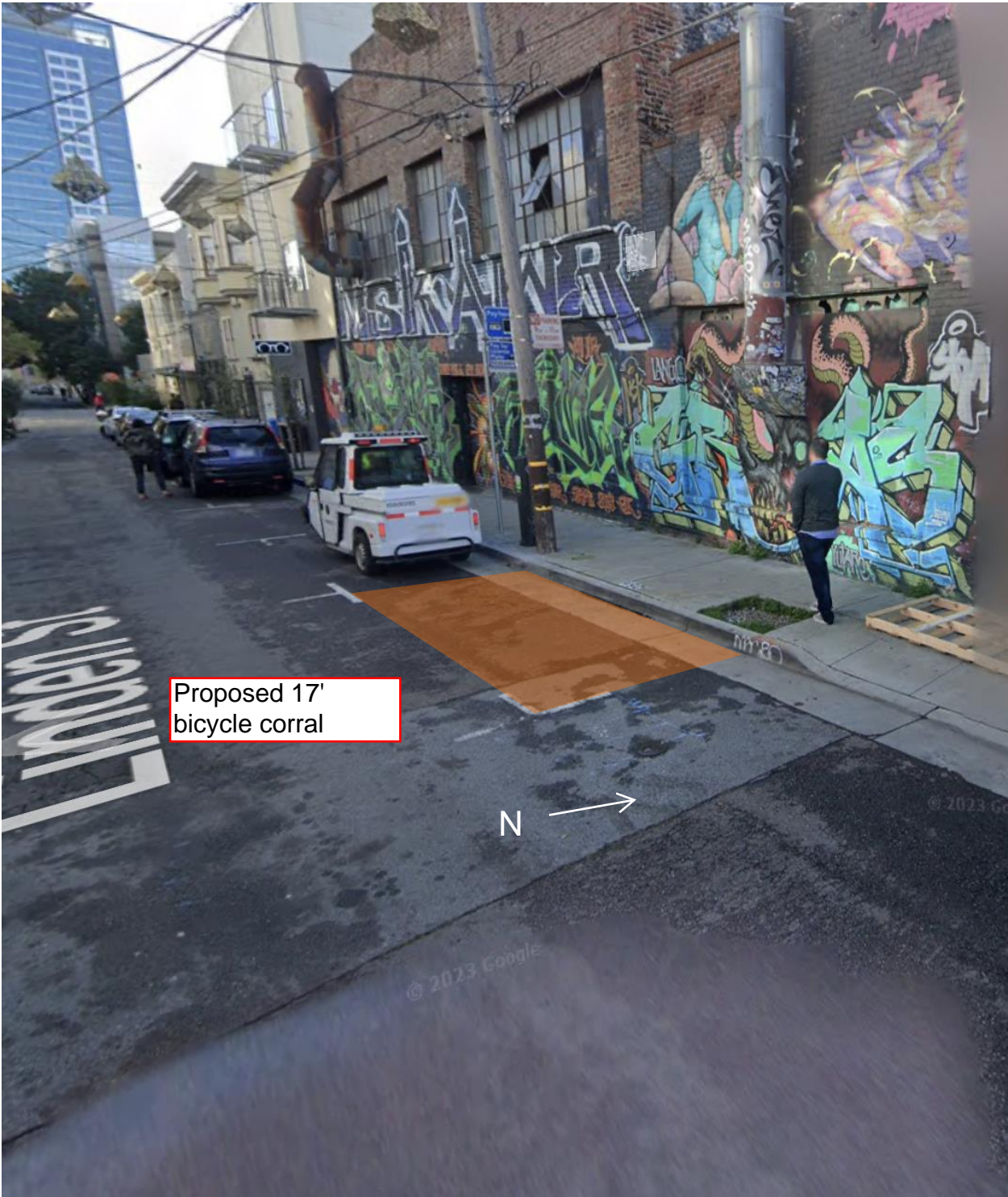


Linden Street at Octavia Street, south side, 76 feet to 92 feet east of Octavia Street



Proposed 16'
bicycle corral

Linden Street at Octavia Street, south side from 113 feet to 130 feet east of Octavia Street



Proposed 17'
bicycle corral



© 2023 Google

© 2023 Google

OCTAVIA ST

4 RACKS
@ 3' 0.C.

DELINEATOR

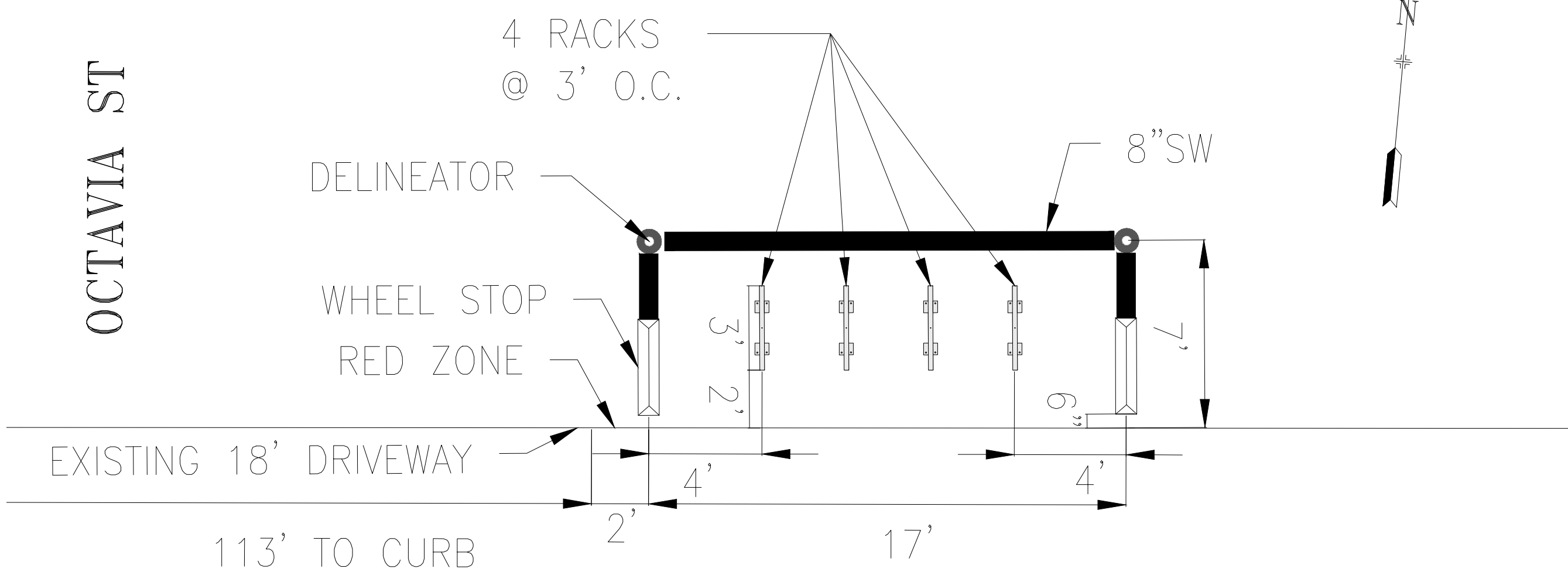
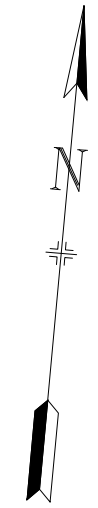
8" SW



WHEEL STOP
RED ZONE

EXISTING 18' DRIVEWAY

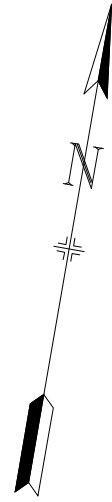
113' TO CURB

LINDEN ST



		APPROVED		SCALE:	CONTRACT NO.
		DRAWN:	DATE:		
		CITY TRAFFIC ENGINEER		SHEET/SHEETS:	FILE NO.
					REV. NO.

OCTAVIA ST



4 RACKS @ 3' O.C.

8" SW

DELINEATOR

WHEEL STOP

RED ZONE

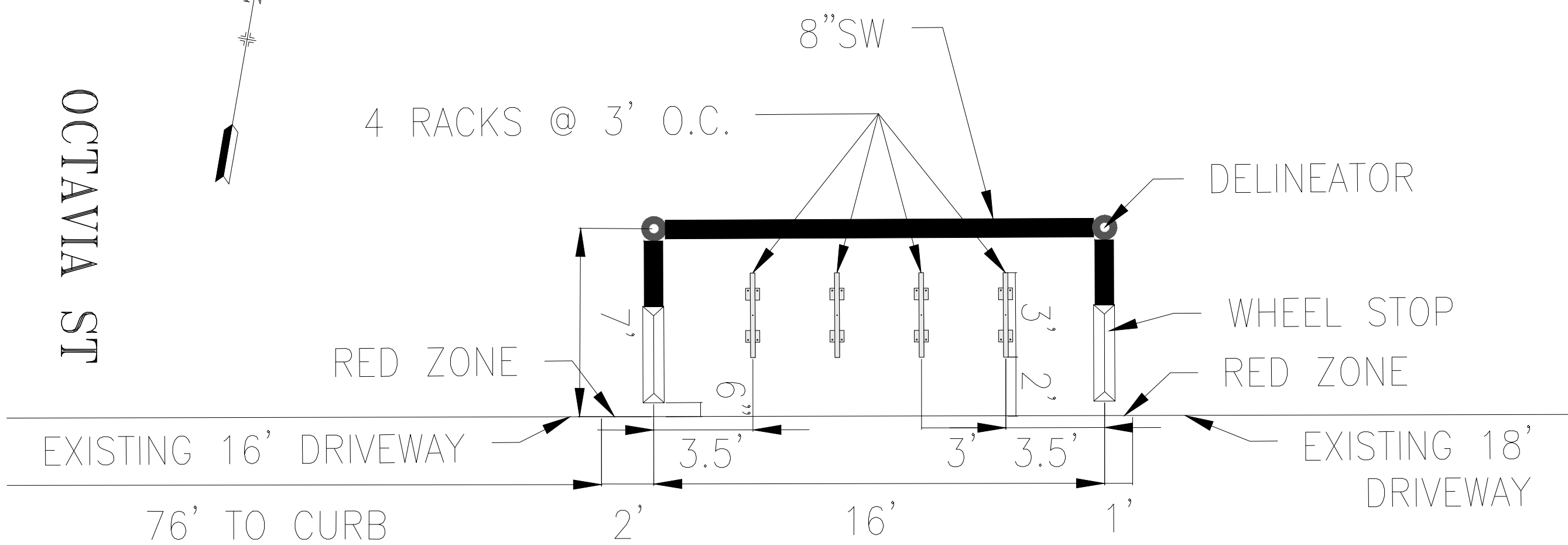
RED ZONE



EXISTING 16' DRIVEWAY

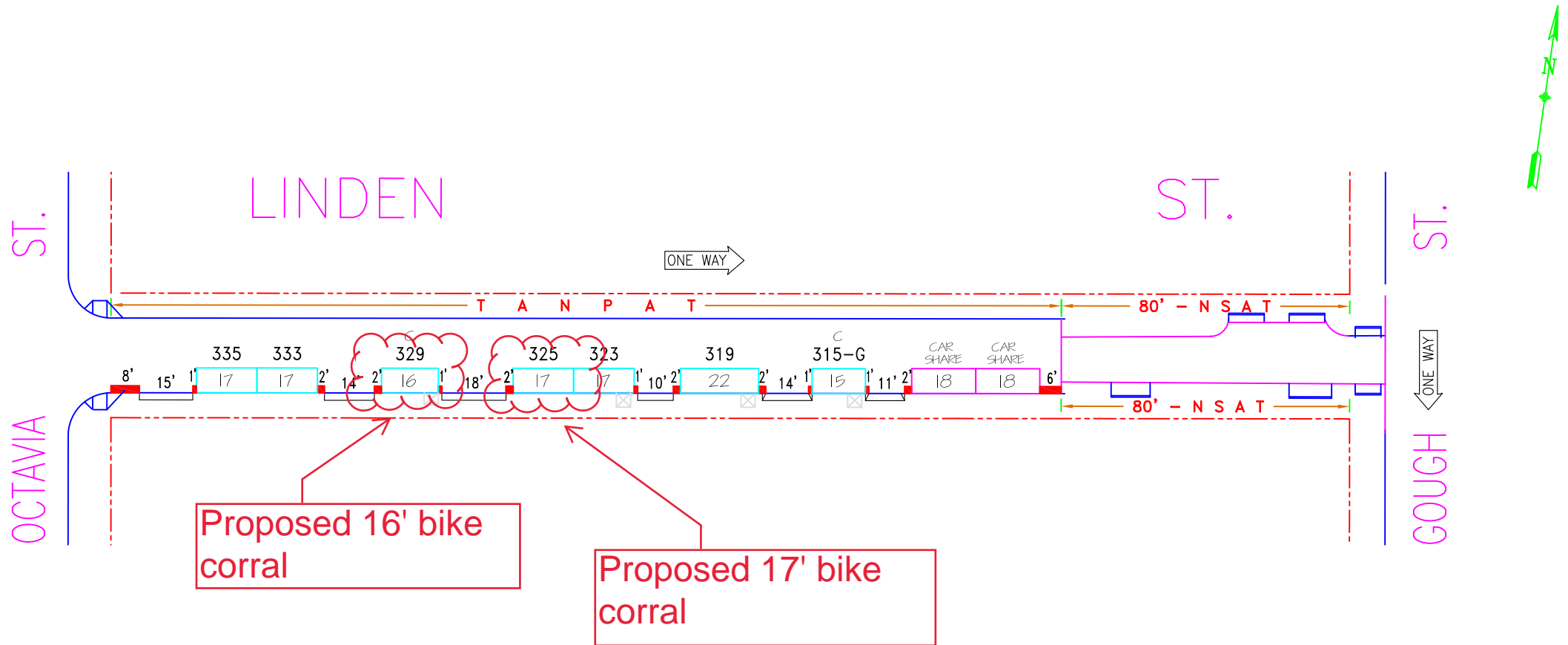
EXISTING 18' DRIVEWAY

76' TO CURB

LINDEN ST




		APPROVED _____ DATE: _____	SCALE: _____	CONTRACT NO. _____ DRAWING NO. _____ FILE NO. _____ REV. NO. _____
		DRAWN: _____ DATE: _____ CHECKED: _____ DATE: _____	SENIOR ENGINEER _____ DATE: _____ CITY TRAFFIC ENGINEER _____ DATE: _____	



C - COMPACT CAR

NO.	REVISION DESCRIPTION				BY	DATE	DIR/RES											
	* Est. 4HRTL, GMP #319-#335/30m. #315							JB	1/25/19	180821.110								
SIDE	TOW-AWAY		METER CT.		GENERAL				LOADING			METERED SPACES						
	AM	PM	SS	MS	GMP	MC	TIMES	DAYS	ML	MTL	6-W	15 MIN	30 MIN	1 HR	2 HR	10 HR	4 HR.	TOTAL
ODD			7		7		9A-6P	M-SA					1				6	7
EVEN																		



SAN FRANCISCO MUNICIPAL TRANSPORTATION AGENCY
CITY AND COUNTY OF SAN FRANCISCO
 PARKING METER SPACES

LINDEN ST. (LIN, 553)
(300) BLOCK
 Meters #553-03XXY

GOUGH ST. TO OCTAVIA ST.

AREA 3

SCALE: 1" = 40'

DATE: 1/25/19

BY: JB

Revised: 01/25/19 15:04
 Filename: S:\P\553\Operations\Map Drawing\Area 3.mxd (2019) (Area 3) (Area 3)