

SFMTA - TASC SUMMARY SHEET

| | | |
|--|---|---|
| PreStaff_Date: 7/8/2021 Requested_by: SFMTA <i>It</i> Handled: Michael Tamin <i>MZT</i> Section Head : CL <i>Cheryl Liu</i> | <input type="checkbox"/> Public Hearing Consent <input checked="" type="checkbox"/> Public Hearing Regular <input type="checkbox"/> Informational / Other <small>PH - Regular</small> | No objections: _____ Item Held: _____ Other: _____ |
|--|---|---|

Location: Market Street, between Larkin Street and Hyde Street

Subject: Speed Table

PROPOSAL / REQUEST:
 ESTABLISH - SPEED TABLE
 Market Street, westbound, between Larkin Street and Hyde Street
 (Supervisor District 6)
 Michael Tamin, michael.tamin@sfmta.com

This proposal would implement a speed table to enhance the future installation of an already-approved traffic restriction for westbound Market Street at the Larkin/Hayes intersection.

BACKGROUND INFORMATION / COMMENTS

As part of the approved Better Market Street Project (Res. 191015-131), two general traffic lanes would be removed from Market Street between 12th and 9th streets, leaving two Muni/taxi-only lanes and two widened cycle tracks. To facilitate the transition to this new configuration, the approved design had a forced right turn for all non-Muni/taxi/bicycle traffic, westbound on Market St onto Hayes.

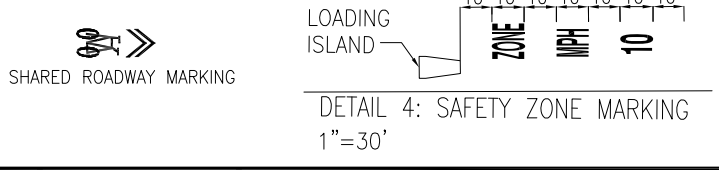
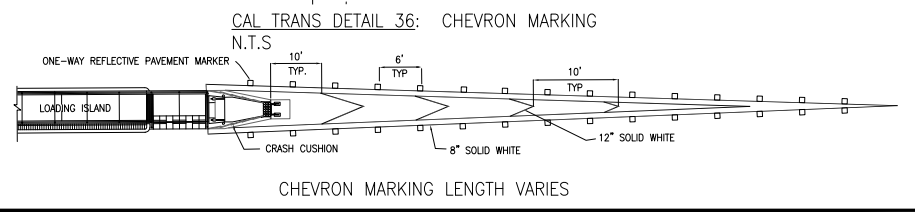
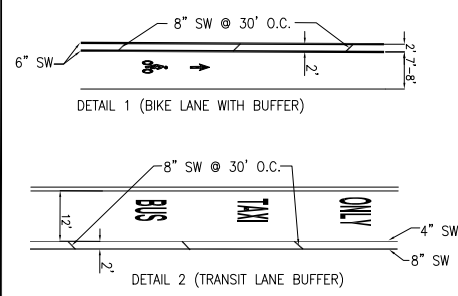
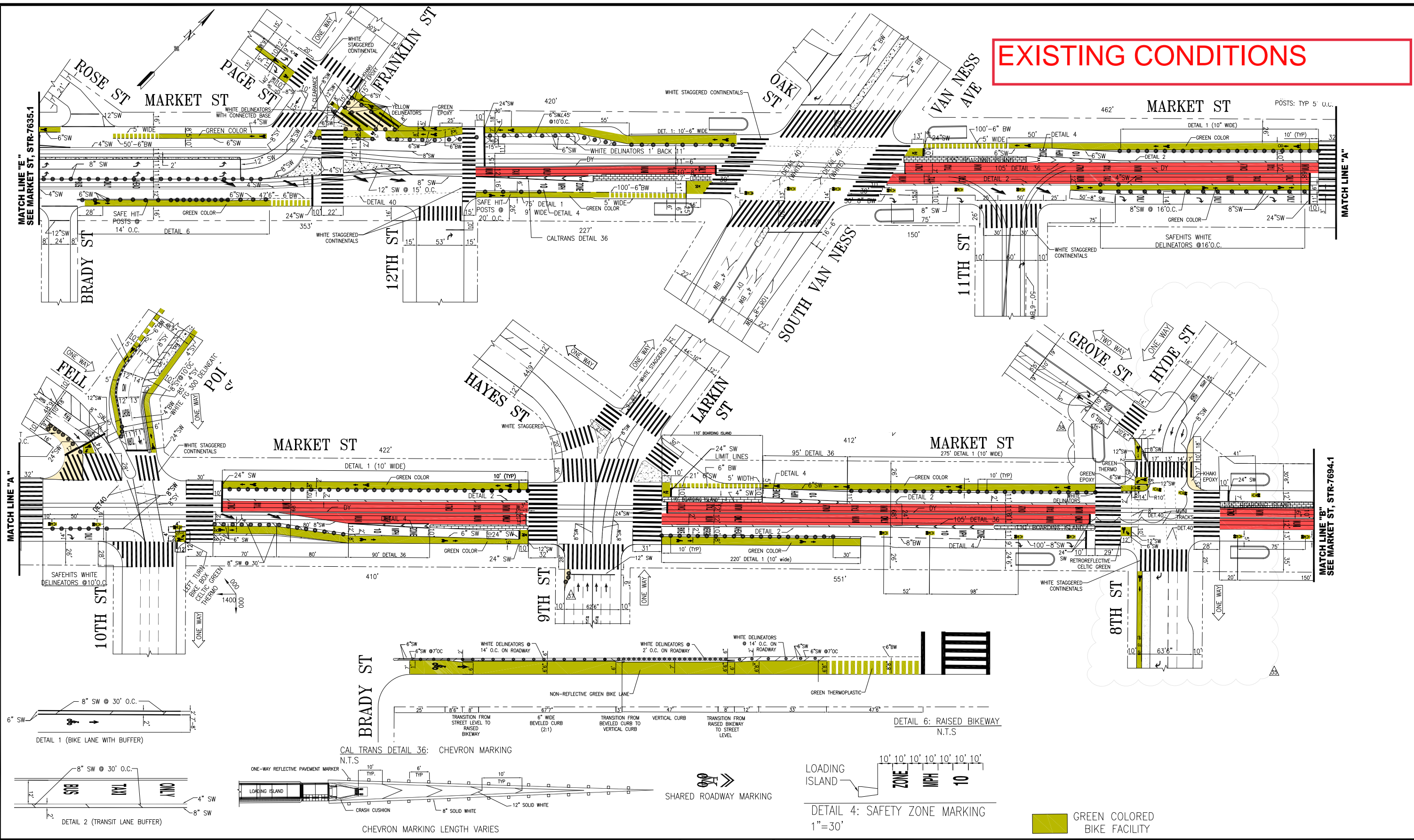
While construction of the full project has been deferred, some of these restrictions (including the aforementioned forced right turn) are planned to be implemented later this year to support the traffic management and circulation goals of the Market & Octavia Area Plan Ammendment (formerly "The Hub" Plan), as well as the overall safety and sustainability goals of the SFMTA and the City.

This legislation seeks to add a speed table to enhance safety at the westbound bicycle mixing zone approaching the Hayes/Larkin intersection, which exists today but may see an increase in conflicting traffic volumes due to the new restriction. The speed table would reduce speeds for right-turning traffic and emphasize the yield condition to bicycle traffic. A similar layout with a speed hump was recently installed at the mixing zone on westbound Howard approaching 5th St, which serves as the basis for this design.

Transit impacts: This proposal would impact the inbound 19 Polk which turns off of Market at Hayes/Larkin. If service were to be restored, this proposal would also impact the outbound 21 Hayes.

| | |
|---|---|
| HEARING NOTIFICATION AND PROCESSING NOTES: | ENVIRONMENTAL CLEARANCE BY: |
| | <input checked="" type="checkbox"/> SFMTA <input type="checkbox"/> Attached <input type="checkbox"/> Pending |

EXISTING CONDITIONS



GREEN COLORED BIKE FACILITY

| NO. | DATE | DESCRIPTION | BY | APP |
|-----|----------|--|-----------|--------------|
| 39 | 11/03/20 | ADDED 8" BW AND RIGHT TURN ARROWS ON 8TH ST. | E.OROZCO | M.VELASCO |
| 38 | 01/17/20 | NEW TURN RESTRICTIONS AT 8TH STREET CHANGED TO MIN ONLY LANES BETWEEN 20th-8th EASTBOUND; CHANGED TO MIN/TAXI ONLY LANES WESTBOUND | I.TROUT | M.VELASCO |
| 37 | 08/20/19 | PER FIELD UPDATES: ADDED & MODIFY ADV LIMIT LINE, REMOVED 8" SW & 4" BW ON 9TH; MOVED DIM OF CONIS, STRIPES & LARON & ON HAYS | A.KIM | A.UY |
| 36 | 12/11/19 | LANE CHANNELIZATION ON 10TH AND REVISED INTERSECTION GUIDELINES | E.CHEN | B.WOO |
| 35 | 04/02/17 | ADDED 12" SW LIMIT LINE ON HYDE ST.; ADDED TRANSIT BOARDING ISLAND ON 8TH ST. PER FIELD, ADDED BY @ 11TH ST. | A.UY | M.SALLABERRY |
| 34 | 04/02/17 | PER FIELD, ADDED BY @ 11TH ST. | I.R.TROUT | M.VELASCO |

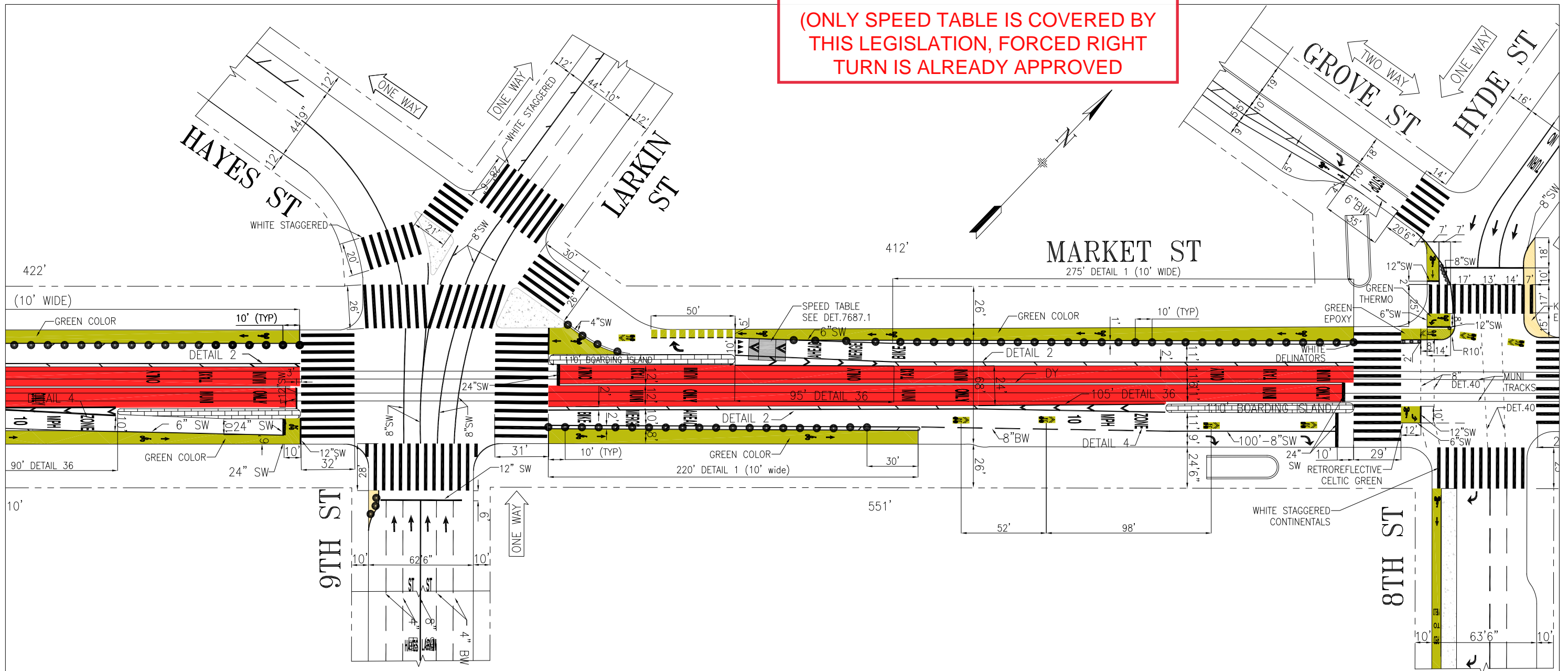


SUPERCEDES STR-6563.2 REV"2" STR-5329.5 REV"19" STR-7635 REV"1"

| | |
|-----------------------------|---------------|
| APPROVED | SCALE: |
| T.P.FOLKS 05/03/05 | 1" = 50' |
| DATE: SENIOR ENGINEER | DATE: |
| 04/2005 | |
| CHECKED: | SHEET/SHEETS: |
| R.OLEA | |
| DATE: CITY TRAFFIC ENGINEER | DATE: |
| 04/2005 | |

| | |
|--|------------------|
| CONTRACT NO. | TRAFFIC STRIPING |
| DRAWING NO. | STR-7694 |
| FILE NO. | |
| REV. NO. | 39 |
| MARKET STREET 12TH STREET TO 8TH STREET | |

PROPOSED CONDITIONS
 (ONLY SPEED TABLE IS COVERED BY
 THIS LEGISLATION, FORCED RIGHT
 TURN IS ALREADY APPROVED)



| NO. | DATE | DESCRIPTION | BY | APP |
|---|------|-------------|----|-----|
| TABLE OF REVISIONS | | | | |
| CHECK WITH TRACING TO SEE IF YOU HAVE LATEST REVISION | | | | |

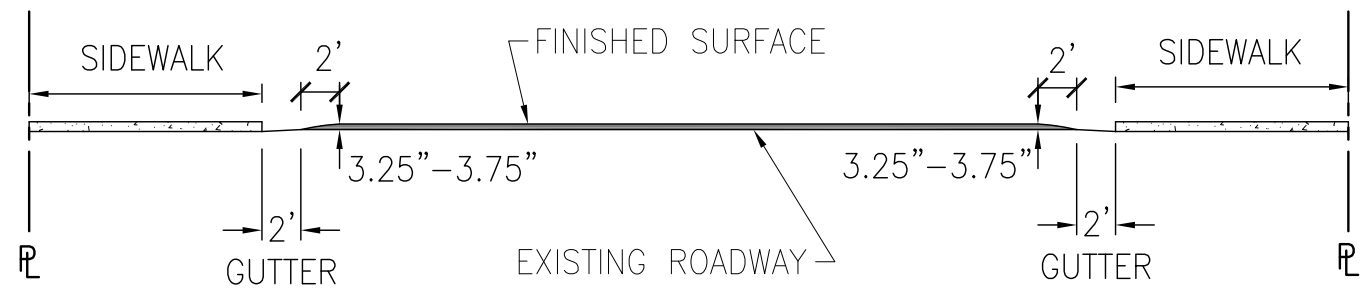


| | | | | | | | |
|-------------------|--|------------------|--|-------------------------|--|---------------|--|
| DRAWN: M.TAMIN | | DATE: 06/2021 | | APPROVED | | SCALE: NTS | |
| CHECKED: | | DATE: | | SENIOR ENGINEER | | DATE: | |
| | | | | CITY TRAFFIC ENGINEER | | DATE: | |
| | | | | SHEET/SHEETS: 1 OF 1 | | | |

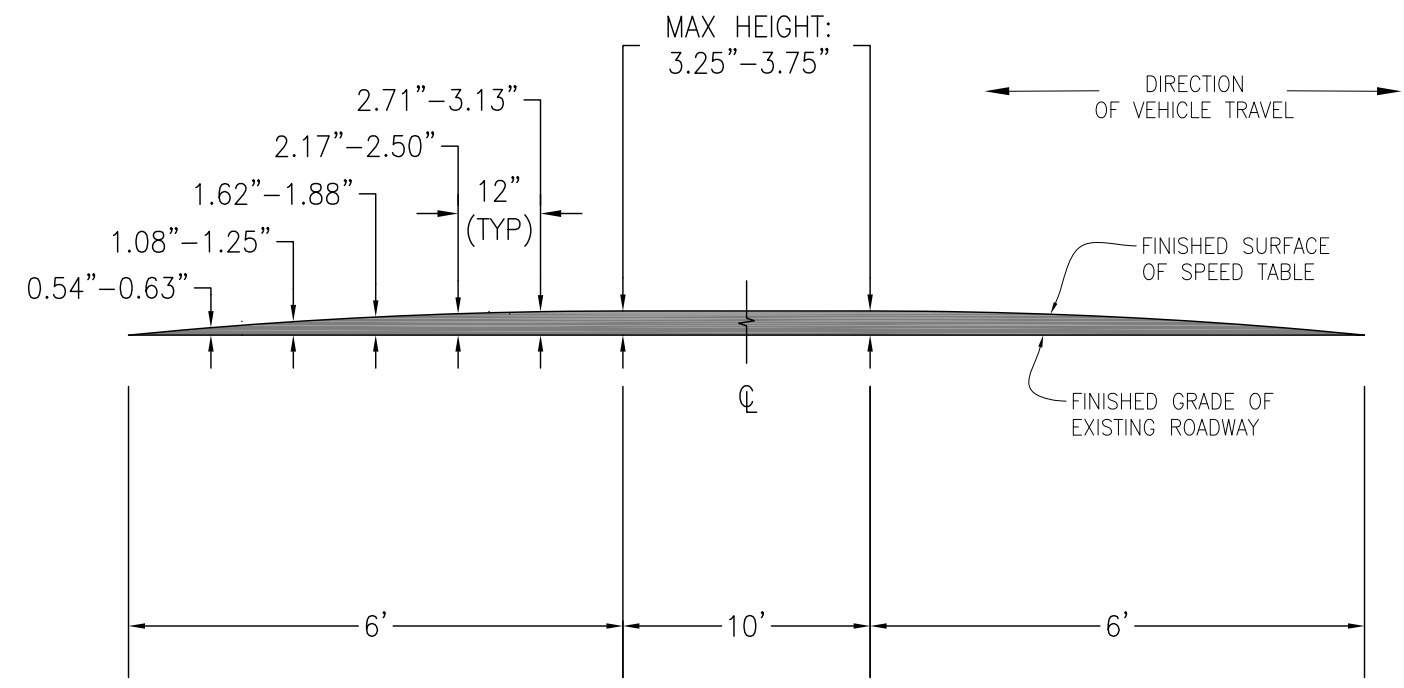
PROPOSED TRAFFIC STRIPING
 MARKET STREET
 VICINITY OF 9TH/HAYES/LARKIN INTERSECTION

| |
|---------------|
| CONTRACT NO. |
| DRAWING NO. |
| FILE NO. |
| REV. NO. 0 |

FILE NAME:
DATE: --/--/---



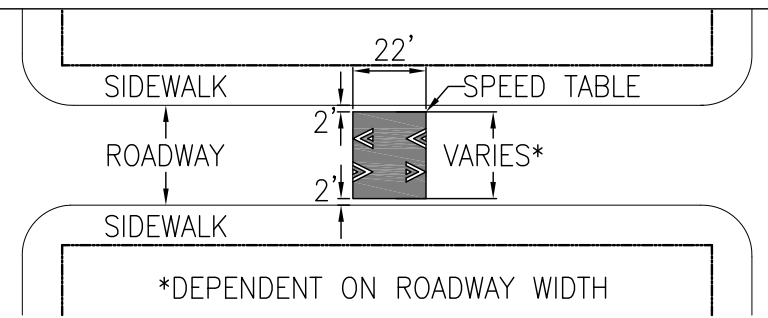
CROSS SECTION (FRONT VIEW)
(NTS)



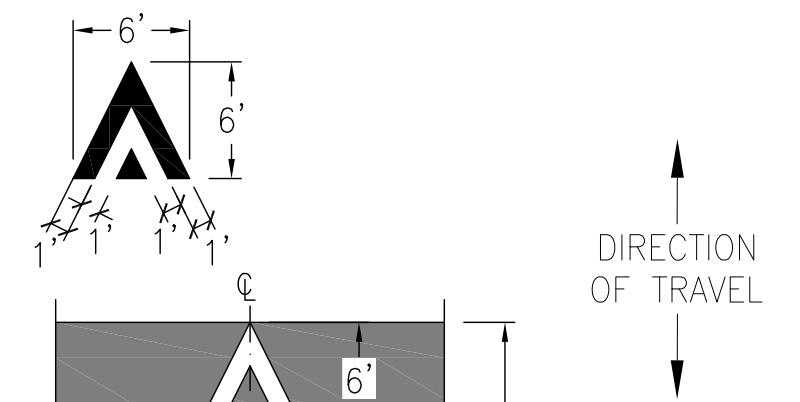
NOTE: VERTICAL MEASUREMENTS SHOWN TO THE LEFT OF CENTERLINE ARE MIRRORED ON THE RIGHT HALF OF SPEED TABLE.

PROFILE SECTION (SIDE VIEW)
(NTS)

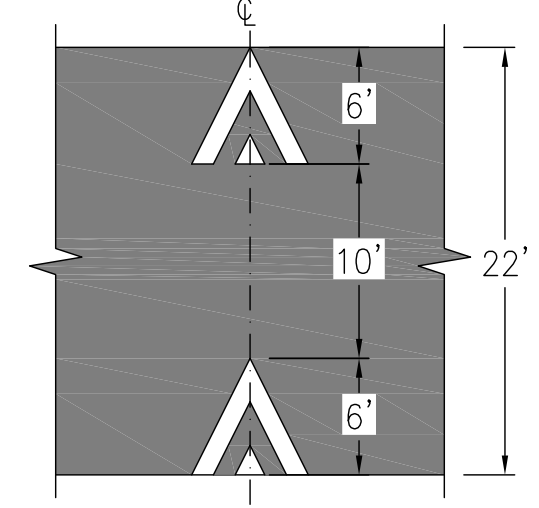
PLAN VIEW (TOP VIEW)
(NTS)



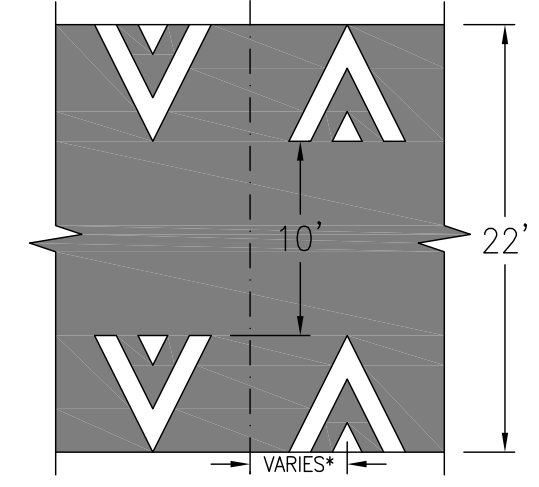
WHITE CHEVRON DETAIL:



OPTION A:
TYPICAL ONE-WAY STREET



OPTION B:
TYPICAL TWO-WAY STREET



STRIPING DETAIL
(NTS)

*CHEVRONS ARE TYPICALLY CENTERED ON THE APPROACHING LANE.

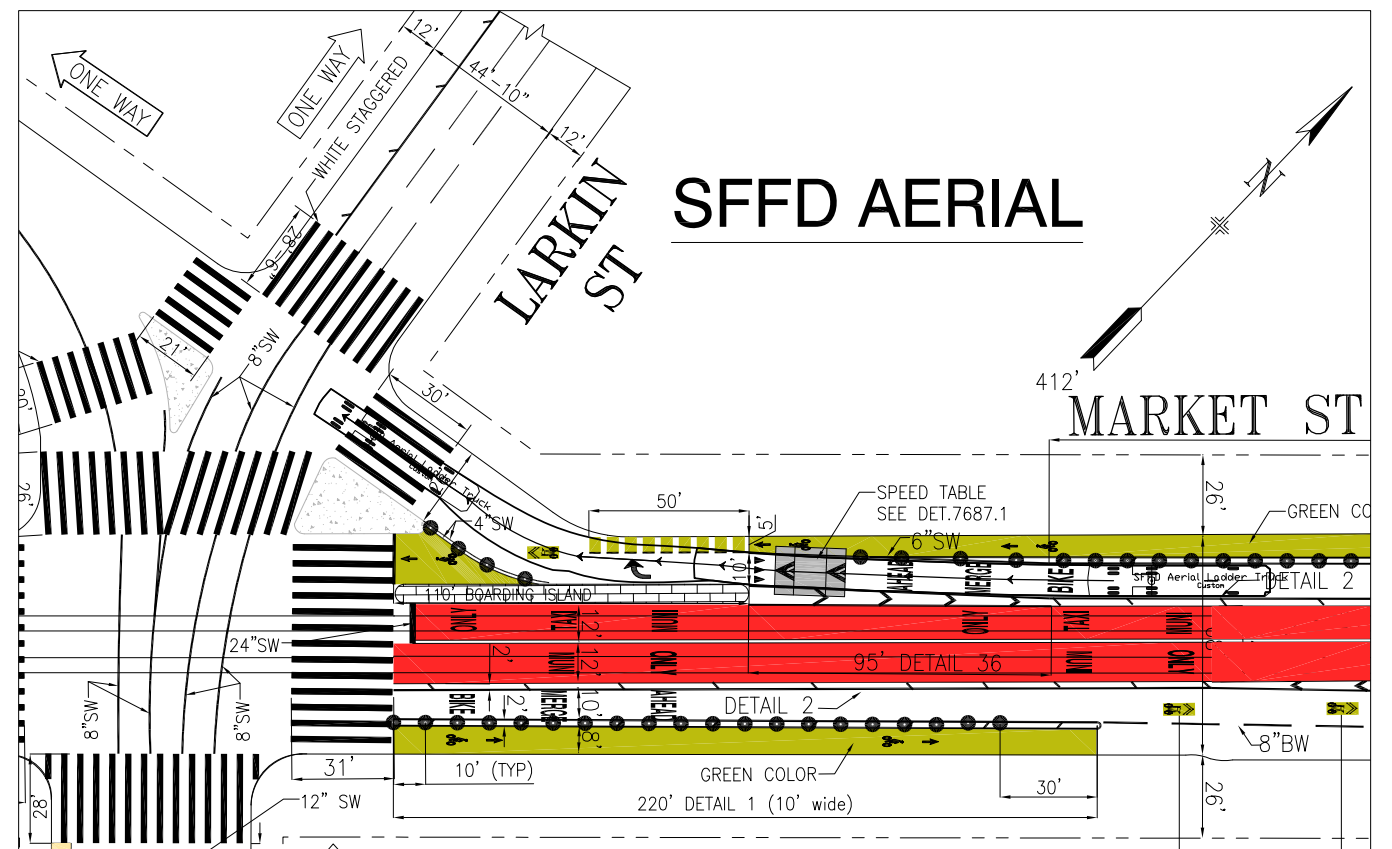
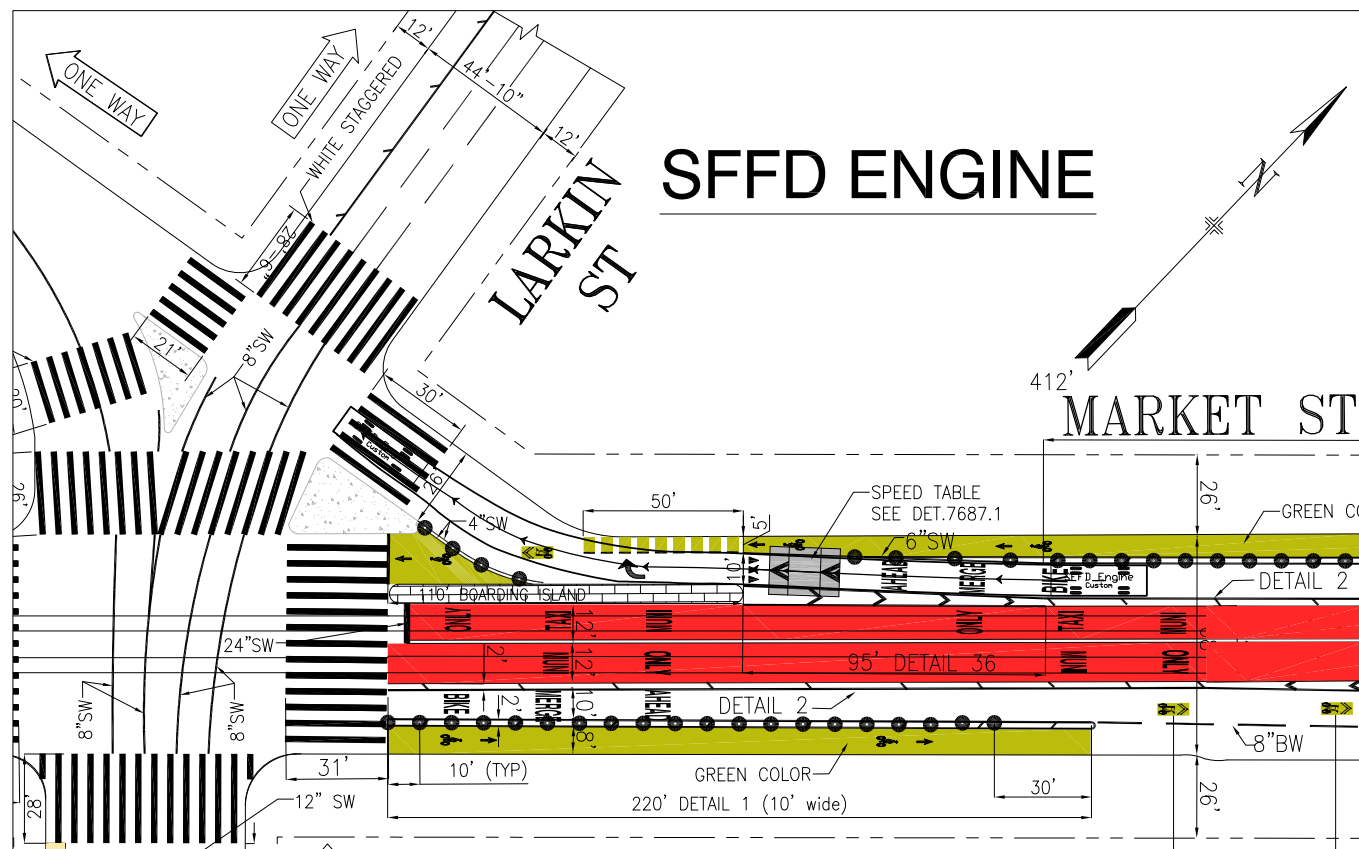
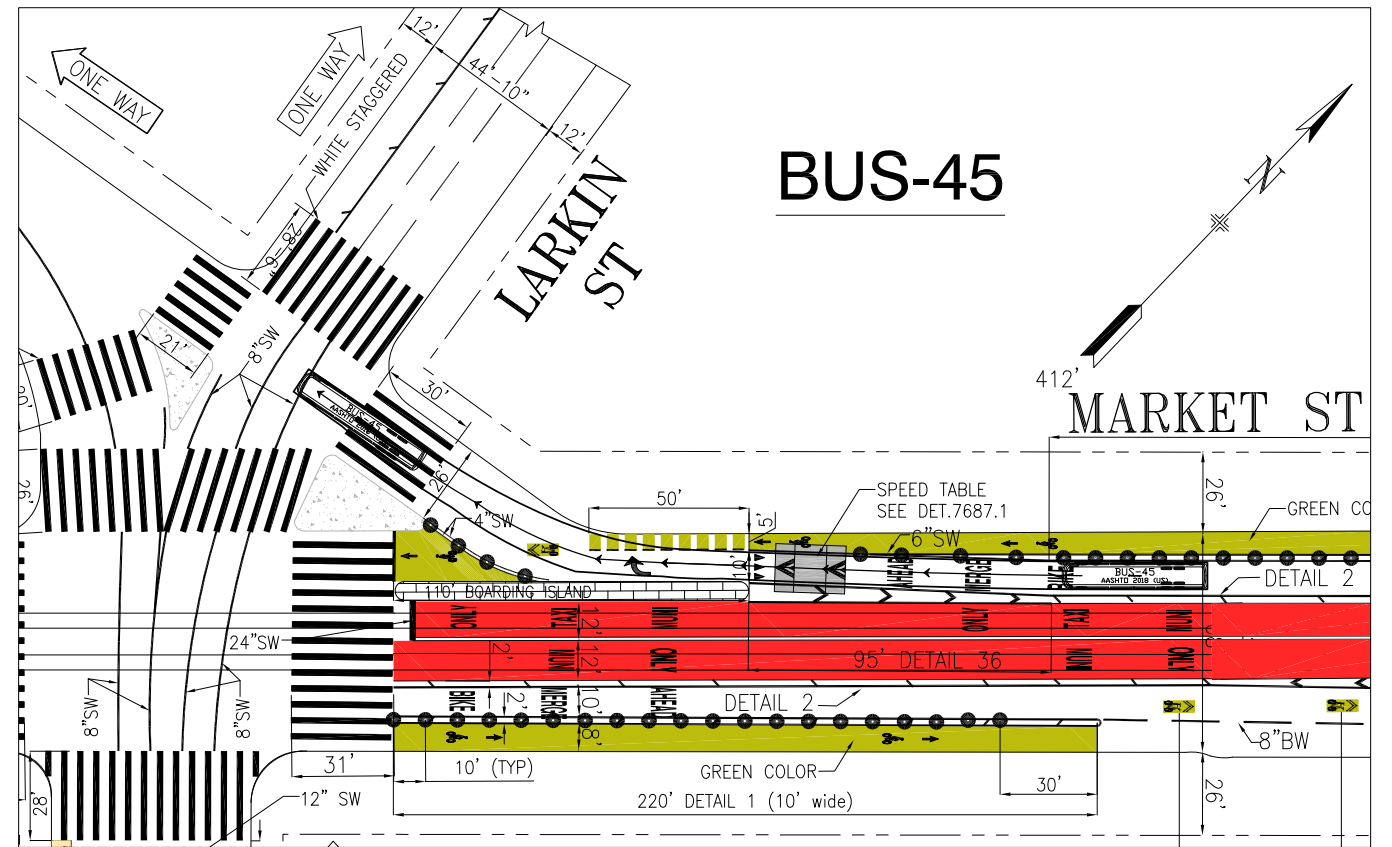
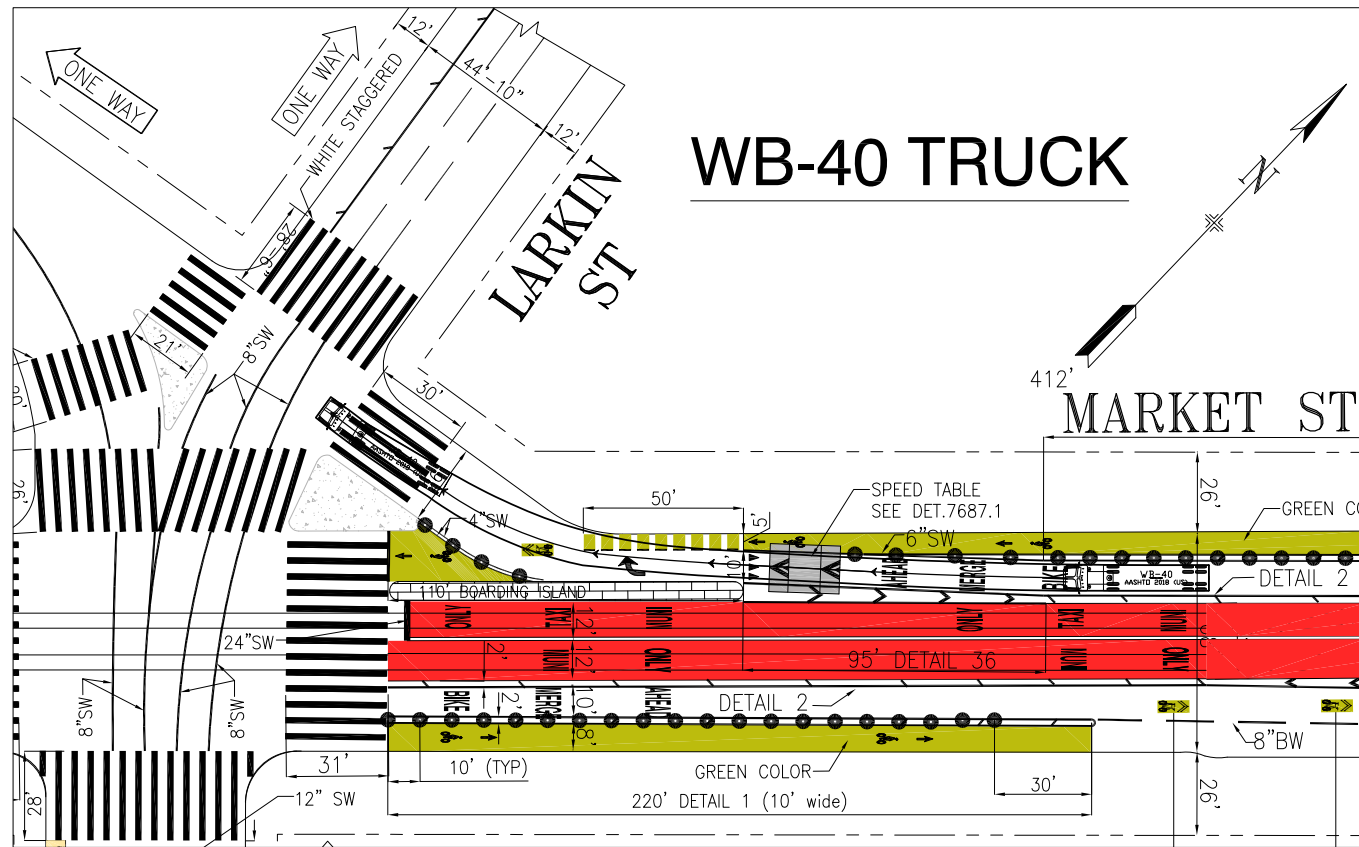
| NO. | DATE | DESCRIPTION | BY | APP |
|---|------|-------------|----|-----|
| TABLE OF REVISIONS | | | | |
| CHECK WITH TRACING TO SEE IF YOU HAVE LATEST REVISION | | | | |



| | | | | | | | | | |
|----------------------|--|----------------|--|---------------------------|--|----------------|--|----------------------|--|
| DRAWN: G.HO | | DATE: 7/1/2017 | | APPROVED: MIKE SALLABERRY | | DATE: 10/02/17 | | SCALE: NTS | |
| CHECKED: W.TABAJONDA | | DATE: 7/6/2017 | | APPROVED: RICARDO OLEA | | DATE: 10/02/17 | | SHEET/SHEETS: 2 OF 4 | |

| | | |
|---------------|--|------------------------|
| STANDARD PLAN | | CONTRACT NO. |
| SPEED TABLE | | DRAWING NO. STR-7687.1 |
| | | FILE NO. |
| | | REV. NO. 0 |

FILE NAME: ---/---/---
DATE: ---/---/---



| NO. | DATE | DESCRIPTION | BY | APP |
|---|------|-------------|----|-----|
| TABLE OF REVISIONS | | | | |
| CHECK WITH TRACING TO SEE IF YOU HAVE LATEST REVISION | | | | |



| | |
|-----------------------|---------------|
| APPROVED | SCALE: |
| SENIOR ENGINEER | NTS |
| CITY TRAFFIC ENGINEER | SHEET/SHEETS: |
| | 1 OF 1 |

TURN TEMPLATES

MARKET STREET
VICINITY OF 9TH/HAYES/LARKIN INTERSECTION

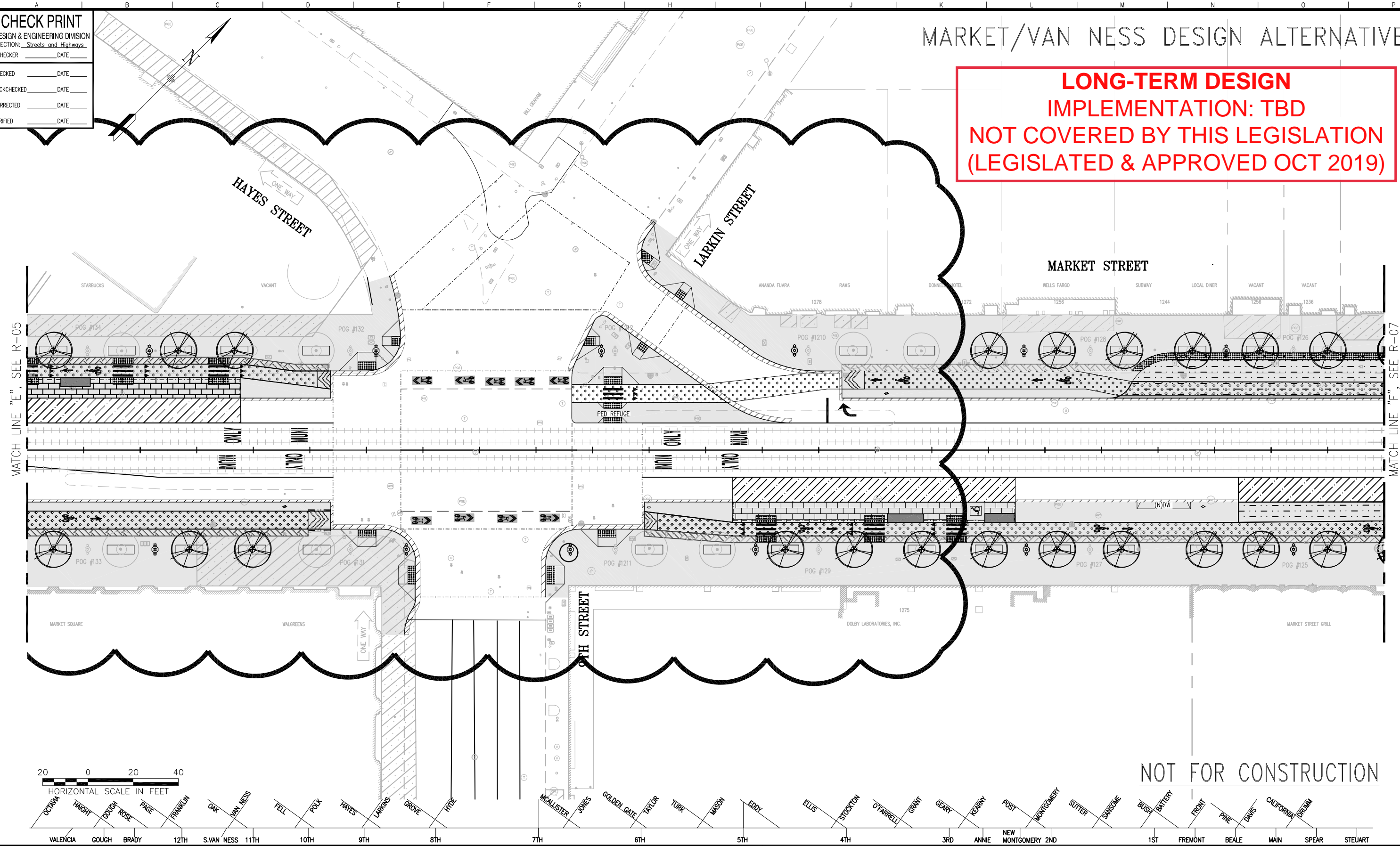
| |
|--------------|
| CONTRACT NO. |
| DRAWING NO. |
| FILE NO. |
| REV. NO. |
| 0 |

FILE NAME:
DATE:

CHECK PRINT
 DESIGN & ENGINEERING DIVISION
 SECTION: Streets and Highways
 CHECKER: _____ DATE: _____
 CHECKED: _____ DATE: _____
 BACKCHECKED: _____ DATE: _____
 CORRECTED: _____ DATE: _____
 VERIFIED: _____ DATE: _____

MARKET/VAN NESS DESIGN ALTERNATIVE

**LONG-TERM DESIGN
 IMPLEMENTATION: TBD
 NOT COVERED BY THIS LEGISLATION
 (LEGISLATED & APPROVED OCT 2019)**



NOT FOR CONSTRUCTION

| NO. | DATE | DESCRIPTION | BY | APP. |
|--|------|-------------|----|------|
| TABLE OF REVISIONS | | | | |
| THIS DRAWING WAS LAST MODIFIED: 07/16/19 09:50, BY: iliang | | | | |

REFERENCE INFORMATION
 & FILE NO. OF SURVEYS



BUREAU OF DESIGN & ENGINEERING
 CITY & COUNTY OF SAN FRANCISCO
SAN FRANCISCO PUBLIC WORKS
 30 VAN NESS AVENUE, 5TH FLOOR
 SAN FRANCISCO, CA 94102 - 6028

| | | |
|--------------------|-------|-----------------|
| Section Mgr: | Date: | DESIGNED: DATE: |
| Deputy Bureau Mgr: | | DRAWN: DATE: |
| Bureau Mgr: | | CHECKED: DATE: |

| | |
|-----------------|---------|
| SCALE: | 1"=20' |
| SHEET OF SHEETS | 7 OF 24 |

BETTER MARKET STREET
 ROADWAY WORK
 CTL MAR 75+00 TO 81+00
PROPOSED CURB ALIGNMENT-DESIGN ALTERNATIVE

| | |
|--------------|-------|
| CONTRACT NO. | 2752J |
| DRAWING NO. | R-06 |
| FILE NO. | |
| REV. NO. | |

30% DESIGN LAST UPDATED: 7/15/2019

Drawing Path: C:\Users\jliang\appdata\local\temp\AcPublish_5604\2752J_RD - Variant_07152019.dwg, Login: jliang Dimension Scale: 1
 Plot Time: Tue, 16 Jul 2019 - 2:07pm
 Model Units: Feet
 Measurement Units are English
 Xrefs: V:\2752J_Better_Market_Street_V2_Design\ALA\Working_Drawings\Base_Plans\XREF\Utility_Composite\XREFS\2752J_SSB_E.dwg
 V:\2752J_Better_Market_Street_V2_Design\ESH\Working_Drawings\02_DESIGN_XREF\ESH_Internal_Reference\2752J_CL.dwg
 V:\2752J_Better_Market_Street_V2_Design\ESH\Working_Drawings\02_DESIGN_XREF\General\Survey\2752J_SV_SE01.dwg

SAN FRANCISCO
MUNICIPAL TRANSPORTATION AGENCY
BOARD OF DIRECTORS

RESOLUTION No. 191015-131

WHEREAS, Market Street is San Francisco's busiest street for people walking, cycling, and riding public transit including taxis; approximately 500,000 people walk along Market Street on a given day, there are over 200 Muni vehicles per hour during peak hours and there are 650 bicyclists in the peak direction during rush hour; and

WHEREAS, Market Street has several key transportation needs including a need to improve safety for all modes, transit performance challenges, accessibility challenges, a discontinuous bike facility, and aging infrastructure; and

WHEREAS, The Better Market Street (BMS) Project is a proposed, major capital investment to address these key transportation needs and to beautify the public realm along 2.2 miles of Market Street between Octavia Boulevard and Steuart Street; and

WHEREAS, San Francisco Public Works is the sponsor agency for the BMS Project in partnership with the San Francisco Municipal Transportation Agency (SFMTA) and other city agencies; and

WHEREAS, The Planning Department has determined that prohibiting the entry of vehicles on Market Street between Steuart and 9th streets, in the westbound direction, and Market Street between 10th and Main streets, in the eastbound direction, except for buses, taxis, bicycles, commercial vehicles, and emergency vehicles and on Market Street between 9th and 12th streets, in the westbound direction, and between 12th and 11th streets, in the eastbound direction, except for Muni, AC transit, taxis, bicycles, and emergency vehicles, and other vehicular circulation changes are designed to implement Objective 18 of the City's General Plan's Transportation Element pursuant to California Vehicle Code section 21101(f) in order to allow the right-of-way to be allocated for other users of the street, thereby improving safety, prioritizing sustainable transportation modes, providing for loading to support adjacent land uses, and improving Market Street as a civic space; and

WHEREAS, The SFMTA has determined that prohibiting the entry of vehicles on Market Street between Steuart and 9th streets, in the westbound direction, and Market Street between 10th and Main streets, in the eastbound direction, except for buses, taxis, bicycles, commercial vehicles, and emergency vehicles provides for the health and safety of citizens pursuant to California Vehicle Code section 21101(f) because collisions on Market Street are of significant concern because they involve a high number of vulnerable roadway users and Market Street has four of the top 10 intersections for pedestrian- and bicycle-involved collisions in the past five years; and

PAGE 2

WHEREAS, SFMTA staff have determined that permanently closing Bush/Battery Street, southbound, between Bush and Market streets and Page Street between Franklin and Market streets to vehicular traffic, except for bicycles and emergency vehicles, is necessary in order to enhance safety and comfort for vulnerable street users and to improve traffic and transit operations in the vicinity since SFMTA staff have determined that the above referenced street segments are no longer needed for vehicular traffic, given the closure of Market Street and associated turn restrictions, pursuant to California Vehicle Code section 21101(a); and

WHEREAS, Section 891 of the Streets and Highways Code provides that agencies responsible for the development or operation of bikeways or roadways where bicycle travel is permitted may utilize minimum safety design criteria other than those established by Section 890.6 if the following conditions are met: the alternative criteria are reviewed and approved by a qualified engineer, the alternative criteria is adopted by resolution at a public meeting after public comment and proper notice, and the alternative criteria adheres to the guidelines established by a national association of public agency transportation officials; and

WHEREAS, The protected bikeway proposed as part of the project meets these three requirements; and

WHEREAS, The protected bikeway has been reviewed and approved by a qualified engineer prior to installation; and

WHEREAS, The alternative criteria for the project are to discourage motor vehicles from encroaching or double parking in the bicycle facility, provide a more inviting and greater sense of comfort for bicyclists, and to provide a greater perception of safety for bicyclists; and

WHEREAS, The project's alternative criteria adhere to guidelines set by the National Association of City Transportation Officials; and

WHEREAS, The SFMTA has proposed the installation of parking and traffic modifications as a part of the BMS Project as follows:

- A. PROHIBITING ENTRY - EXCEPT BUSES, TAXIS, BICYCLES, COMMERCIAL VEHICLES, AND EMERGENCY VEHICLES – Market Street between Steuart and 9th streets, (westbound roadway); Market Street between 10th and Main streets (eastbound roadway)
- B. PROHIBITING ENTRY – EXCEPT MUNI, AC TRANSIT, TAXIS, BICYCLES, AND EMERGENCY VEHICLES – Market Street, between 12th and 11th streets (eastbound roadway); Market Street, between 9th and 12th streets (westbound roadway)
- C. ESTABLISH – RIGHT/LEFT TURN ONLY, EXCEPT BUSES, TAXIS, BICYCLES, COMMERCIAL VEHICLES, and EMERGENCY VEHICLES – 2nd Street, northbound, at Stevenson Street
- D. ESTABLISH – ROAD CLOSURE, EXCEPT BICYCLES, and EMERGENCY VEHICLES – Page Street between Market and Franklin (eastbound and westbound roadways); Bush/Battery Street between Bush and Market streets (southbound roadway)
- E. ESTABLISH – MUNI ONLY LANE – Market Street, eastbound, between 10th Street

- and Main Street; Market Street, westbound, between Beale Street and 8th Street
- F. ESTABLISH – MUNI, AC TRANSIT, AND TAXI ONLY LANE – Market Street, eastbound, between Gough Street and 10th Street; Market Street, westbound, between 8th Street and 12th Street;
 - G. RESCIND – BUS AND TAXI ONLY LANE – Market Street, eastbound, between 12th Street and 3rd Street; Market Street, westbound, between South Van Ness Avenue and 3rd Street
 - H. ESTABLISH – TOW-AWAY, NO STOPPING ANYTIME – Drumm Street, west side, from California to Market streets; 4th Street, east side, from Market Street to 17 feet southerly; Fell Street, south side, from Market Street to 56 feet westerly; 12th Street, west side, from Market Street to 30 feet southerly; 12th Street, east side, from Market Street to 26 feet southerly ; Hayes Street, south side, from Polk Street to 28 feet easterly
 - I. RESCIND –METERED TRUCK LOADING ZONE and ESTABLISH – TOW-AWAY, NO STOPPING ANYTIME – 9th Street, west side, from Market Street to 16 feet southerly
 - J. RESCIND – YELLOW COMMERCIAL METERED SPACE and ESTABLISH – TOW-AWAY, NO STOPPING ANYTIME – Main Street, west side, from Market Street to 30 feet southerly; Beale Street, west side, from Market Street to 22 feet southerly; 1st Street, east side, from Market Street to 22 feet southerly; Ellis Street, both sides, from Stockton Street to 38 feet westerly; 11th Street, east side, from 60 feet to 126 feet south of Market Street
 - K. RESCIND – WHITE PASSENGER ZONE and ESTABLISH – TOW-AWAY, NO STOPPING ANYTIME – 5th Street, east side, from Market Street to 24 feet southerly; 11th Street, east side, from 126 feet to 227 feet south of Market Street
 - L. RESCIND – METERED MOTORCYCLE SPACES and ESTABLISH – TOW-AWAY, NO STOPPING ANYTIME – 11th Street, east side, from Market Street to 57 feet southerly
 - M. ESTABLISH – NO STOPPING EXCEPT BICYCLES and ESTABLISH – BIKE SHARE STATION – Market Street, north side, at Steuart Street
 - N. ESTABLISH – TWO-WAY STREET – Spear Street, between Market Street and Mission Street
 - O. ESTABLISH – ONE-WAY STREET WESTBOUND – Ellis Street, between Market Street and Cyril Magnin Street
 - P. ESTABLISH – NO LEFT TURN EXCEPT MUNI AND BICYCLES – Davis Street, southbound, at Market Street; Market Street, eastbound, at Sansome/Sutter Streets; Market Street, westbound, at 6th Street; Sansome Street, southbound, at Market Street
 - Q. ESTABLISH – NO RIGHT TURN EXCEPT BICYCLES, BUSES, TAXIS, AND COMMERCIAL VEHICLES – Mission Street, westbound, at Steuart Street; Main Street, northbound, at Market Street; Drumm Street, southbound, at Market Street; Davis Street, southbound, at Market Street; Fremont Street, northbound, at Market Street; Montgomery/Post Streets, southbound, at Market Street; Hyde/Grove Streets, southbound, at Market Street; 9th Street, northbound, at Market Street
 - R. ESTABLISH – NO LEFT TURN EXCEPT BUSES AND TAXIS – Fremont Street, northbound, at Market Street
 - S. ESTABLISH – RIGHT TURN ONLY EXCEPT BICYCLES, BUSES, TAXIS, AND COMMERCIAL VEHICLES– Jones Street, southbound, at Market/McAllister Streets;

- Market Street, westbound, at Sansome/Sutter Streets
- T. ESTABLISH – RIGHT TURN ONLY EXCEPT MUNI– Spear Street, northbound, at Market Street
 - U. ESTABLISH – NO LEFT TURN EXCEPT BICYCLES, BUSES, TAXIS, AND COMMERCIAL VEHICLES– Mission Street, eastbound, at Steuart Street; Main Street, northbound, at Market Street; Battery/Bush Streets, southbound, at Market Street; Montgomery/Post Streets, southbound, at Market Street
 - V. ESTABLISH – BICYCLES, BUSES, TAXIS, AND COMMERCIAL VEHICLES ONLY LANE– 2nd Street, northbound, between Stevenson Street and Market Street; Main Street, northbound, from Market Street to 180 feet southerly
 - W. ESTABLISH – LEFT TURN ONLY EXCEPT MUNI– O’Farrell Street, eastbound, at Market Street
 - X. ESTABLISH – NO RIGHT TURN EXCEPT BICYCLES– Market Street, westbound, at 8th Street; Market Street, eastbound, at Valencia Street; Market Street, westbound, at Page/Franklin Streets
 - Y. ESTABLISH – NO RIGHT TURN EXCEPT MUNI, SAMTRANS, AC TRANSIT, AND BICYCLES– Van Ness Avenue, northbound, at Market Street
 - Z. ESTABLISH – NO RIGHT TURN EXCEPT BICYCLES, MUNI, AND TAXIS– Fell Street, southbound, at Market Street
 - AA. ESTABLISH – RIGHT LANE MUST TURN RIGHT– Page Street, eastbound, at Franklin Street
 - BB. ESTABLISH – NO LEFT TURN EXCEPT BICYCLES, MUNI, AND TAXIS– 9th Street, northbound, at Market Street; Polk Street, southbound, at Market Street
 - CC. ESTABLISH – RIGHT TURN ONLY EXCEPT BICYCLES, TAXIS, AND MUNI– Market Street, westbound, at 9th Street
 - DD. RESCIND – YELLOW COMMERCIAL METERED SPACES and ESTABLISH – TOW-AWAY, NO STOPPING, EXCEPT METERED TRUCK LOADING ZONE, 7 AM TO 6 PM, MONDAY THROUGH SATURDAY - Hayes Street, south side, from 100 feet to 157 feet west of Larkin Street
 - EE. ESTABLISH – TOW-AWAY NO STOPPING, EXCEPT TRUCK LOADING ZONE, 7 AM TO 6 PM, MONDAY THROUGH SATURDAY – 30-MINUTE LIMIT– Stevenson Street, south side, from 295 feet to 351 feet west of 6th Street
 - FF. ESTABLISH – TOW-AWAY NO STOPPING, EXCEPT METERED TRUCK LOADING ZONE, 7 AM TO 6 PM, MONDAY THROUGH FRIDAY – Main Street, west side, from Mission Street to 47 feet northerly
 - GG. RESCIND – WHITE PASSENGER ZONE and ESTABLISH – TOW-AWAY NO STOPPING, EXCEPT METERED TRUCK LOADING ZONE, 7 AM TO 3 PM, MONDAY THROUGH FRIDAY – 4th Street, east side, from 22 to 42 feet south of Market Street
 - HH. RESCIND – TOW-AWAY NO PARKING ANYTIME and ESTABLISH – TOW-AWAY NO STOPPING, EXCEPT YELLOW COMMERCIAL ZONE, 30-MINUTE LIMIT, 7 AM TO 6 PM, MONDAY THROUGH FRIDAY – Annie Street, east side, from 22 feet to 88 feet north of Jessie Street; Stevenson Street, south side, from 616 feet to 657 feet west of 5th Street
 - II. RESCIND – TOW-AWAY NO PARKING ANYTIME and ESTABLISH – TOW-AWAY NO STOPPING, EXCEPT YELLOW COMMERCIAL ZONE, 30-MINUTE

- LIMIT, 7 AM TO 6 PM, MONDAY THROUGH SATURDAY – Stevenson Street, south side, from 253 feet to 308 feet west of 5th Street
- JJ. ESTABLISH – YELLOW COMMERCIAL ZONE, 30-MINUTE LIMIT, 9 AM TO 6 PM, MONDAY THROUGH SATURDAY – Stevenson Street, south side, from 245 feet to 280 feet west of 6th Street
- KK. ESTABLISH – YELLOW COMMERCIAL ZONE, 30-MINUTE LIMIT, 7 AM TO 6 PM, MONDAY THROUGH FRIDAY – Stevenson Street, south side, from 351 feet to 451 feet west of 6th Street; Stevenson Street, north side, from 34 feet to 149 feet east of 7th Street; Stevenson Street, north side, from 193 feet to 253 feet east of 7th Street
- LL. ESTABLISH – YELLOW COMMERCIAL METERED ZONE, 7 AM TO 6 PM, MONDAY THROUGH FRIDAY – Steuart Street, west side, from 124 feet to 149 feet south of Market Street; Drumm Street, west side, from 13 feet to 71 feet south of Sacramento Street; California Street, south side, from 14 feet to 174 feet west of Drumm Street; Taylor Street, east side, from 93 feet to 137 feet north of Golden Gate Avenue; Golden Gate Avenue, south side, from 93 feet to 143 feet west of Market Street; Brady Street, east side, from 10 feet to 70 feet south of Market Street; Gough Street, west side, from 40 feet to 80 feet north of Haight Street; Gough Street, east side, from Market Street to 60 feet southerly
- MM. RESCIND – TOW-AWAY NO STOPPING, 7 AM TO 7 PM EVERYDAY and ESTABLISH – YELLOW COMMERCIAL METERED ZONE, 7 AM TO 6 PM, MONDAY THROUGH FRIDAY – Montgomery Street, east side, from 20 feet to 204 feet south of Sutter Street
- NN. RESCIND – TOW AWAY NO STOPPING, 7 AM TO 7 PM MONDAY THRU FRIDAY & 11 AM TO 7 PM SATURDAY AND SUNDAY and ESTABLISH – YELLOW COMMERCIAL METERED ZONE, 7 AM TO 6 PM, MONDAY THROUGH FRIDAY – Montgomery Street, east side, from 10 feet to 252 feet south of Bush Street
- OO. RESCIND – PART TIME GENERAL METERED PARKING SPACES and ESTABLISH – YELLOW COMMERCIAL METERED ZONE, 7 AM TO 6 PM, MONDAY THRGOUH FRIDAY – Hyde Street, west side, from 29 feet to 109 feet north of Grove Street ; Hyde Street, east side, from 4 feet to 48 feet south of Fulton Street ; Hyde Street, east side, from 79 feet to 123 feet south of Fulton Street
- PP. RESCIND – BLUE ZONE and ESTABLISH – YELLOW COMMERCIAL METERED ZONE, 7 AM TO 6 PM, MONDAY THROUGH FRIDAY – Gough Street, west side, from Market Street to 26 feet southerly
- QQ. RESCIND – GENERAL METERED PARKING and ESTABLISH – YELLOW COMMERCIAL METERED ZONE, 7 AM TO 6 PM, MONDAY THROUGH FRIDAY – Gough Street, west side, from 26 feet to 76 feet south of Market Street
- RR. ESTABLISH – YELLOW COMMERCIAL METERED ZONE, 7 AM TO 1 PM, MONDAY THROUGH FRIDAY – Grant Avenue, east side, from 120 feet to 162 feet south of Geary Street; Golden Gate Avenue, north side, from 39 feet to 78 feet east of Jones Street; Jones Street, west side, from 70 feet to 133 feet south of Golden Gate Avenue; Grove Street, north side, from 32 feet to 72 feet west of Hyde Street
- SS. ESTABLISH – YELLOW COMMERCIAL METERED ZONE, 7 AM TO 6 PM, MONDAY THROUGH SATURDAY – Stevenson Street, north side, from 33 feet to 77 feet east of 3rd Street; Hayes Street, south side, from 157 feet to 179 feet west of Larkin

Street; Fell Street, north side, from 61 feet to 165 feet west of Market Street; Page Street, south side, from 90 feet to 132 feet west of Franklin Street; Franklin Street, west side, from 45 feet to 111 feet north of Page Street

- TT. RESCINDS – TOW-AWAY NOT STOPPING ANYTIME and ESTABLISH – YELLOW COMMERCIAL METERED ZONE, 7 AM TO 6 PM, MONDAY THROUGH SATURDAY – Cyril Magnin Street, east side, from 22 feet to 88 feet south of Ellis Street
- UU. ESTABLISH – YELLOW COMMERCIAL METERED ZONE, 9 AM TO 3 PM, MONDAY THROUGH FRIDAY – Davis Street, west side, from 23 feet to 91 feet north of Pine Street
- VV. ESTABLISH – YELLOW COMMERCIAL METERED ZONE, 10 AM TO 6 PM, MONDAY THROUGH SATURDAY – Jessie Street, south side, from 4 feet to 78 feet east of 5th Street
- WW. RESCIND – TOW-AWAY NO PARKING ANYTIME EXCEPT LAW ENFORCEMENT VEHICLES and ESTABLISH – TOW-AWAY, NO PARKING ANYTIME – Stevenson Street, south side, from 7th Street to 375 feet easterly
- XX. ESTABLISH – RED ZONE – Steuart Street, west side, from Market Street to 14 feet southerly
- YY. RESCIND – YELLOW COMMERCIAL METERED ZONE and ESTABLISH – RED ZONE – Spear Street, east side, from 31 feet to 43 feet south of Market Street; Pine Street, south side, from Market Street to 21 feet westerly; Pine Street, north side, from Market Street to 24 feet westerly
- ZZ. RESCIND – TOW-AWAY NO STOPPING 7 AM TO 7 PM EVERYDAY and ESTABLISH – RED ZONE – Montgomery Street, east side, from Sutter Street to 20 feet southerly; Montgomery Street, east side, from Post Street to 20 feet northerly
- AAA. RESCIND – TOW-AWAY NO STOPPING 7 AM TO 7 PM, MONDAY THROUGH FRIDAY & 11 AM TO 7 PM, SATURDAY AND SUNDAY and ESTABLISH – RED ZONE – Montgomery Street, east side, from Bush Street to 10 feet southerly; Montgomery Street, east side, from Sutter Street to 20 feet northerly
- BBB. ESTABLISH – BLUE ZONE – Page Street, south side, from Gough Street to 20 feet easterly; Gough Street, west side, from Stevenson Street to 20 feet southerly
- CCC. RESCIND – GREEN METERED SPACE and ESTABLISH – BLUE ZONE – 9th Street, east side, from Mission Street to 21 feet northerly
- DDD. ESTABLISH – WHITE PASSENGER LOADING ZONE AT ALL TIMES – Larkin Street, west side, from 25 feet to 69 feet north of Hayes Street; Franklin Street, west side, from Page Street to 45 feet northerly
- EEE. RESCIND – BIKE SHARE STATION and ESTABLISH – WHITE PASSENGER LOADING ZONE AT ALL TIMES – Steuart Street, west side, from 77 feet to 124 feet south of Market Street
- FFF. RESCIND – PART-TIME WHITE ZONES and ESTABLISH – WHITE PASSENGER LOADING ZONE AT ALL TIMES – Steuart Street, west side, from 14 feet to 77 feet south of Market Street
- GGG. RESCIND – YELLOW COMMERCIAL METERED SPACES and ESTABLISH – WHITE PASSENGER LOADING ZONE AT ALL TIMES – Drumm Street, west side, from 6 feet to 68 feet north of California Street; 1st Street, west side, from 19 feet to 59 feet south of Market Street; Ellis Street, north side, from 44 feet to 110 feet west of

- Stockton Street; Eddy Street, south side, from 20 feet to 59 feet west of Cyril Magnin Street
- HHH. RESCIND – TOW-AWAY NO STOPPING, 7 AM TO 7 PM EVERYDAY and ESTABLISH – WHITE PASSENGER LOADING ZONE AT ALL TIMES – Montgomery Street, east side, from 20 feet to 65 feet north of Post Street
- III. RESCIND – TOW-AWAY NO STOPPING ANYTIME and ESTABLISH – WHITE PASSENGER LOADING ZONE AT ALL TIMES – Stevenson Street, north side, from 2nd Street to 20 feet westerly
- JJJ. RESCIND – BLUE ZONE and ESTABLISH – WHITE PASSENGER LOADING ZONE AT ALL TIMES – Ellis Street, south side, from Cyril Magnin to 80 feet easterly
- KKK. RESCIND – GREEN METERED SPACE and ESTABLISH – WHITE PASSENGER LOADING ZONE AT ALL TIMES – Hayes Street, south side, from 80 feet to 100 feet west of Larkin Street
- LLL. ESTABLISH – GREEN METERED PARKING, 30-MINUTE LIMIT, 9 AM TO 6 PM, MONDAY THROUGH FRIDAY – Hayes Street, south side, from 179 feet to 223 feet west of Larkin Street
- MMM. RESCIND – TOW-AWAY, NO STOPPING, 7 AM TO 9 AM AND 3 PM TO 7 PM, MONDAY THROUGH FRIDAY – Montgomery Street, west side, from Sutter Street to Post Street (converts 12 part-time yellow commercial metered spaces to full time)
- NNN. RESCIND – TOW-AWAY, NO STOPPING, 3 PM TO 6 PM, MONDAY THROUGH FRIDAY – Eddy Street, south side, from Mason Street to Cyril Magnin Street
- OOO. ESTABLISH – MUNI ONLY LANE – 11th Street, northbound, from Market Street to 134 feet southerly; Charles J Brenham Place, southbound, from McAllister to Market Street
- PPP. ESTABLISH – CLASS IV CYCLETRACK (ROADWAY LEVEL) – 11th Street, northbound, from Market Street to 222 feet southerly; Valencia Street, northbound, between Market Street and McCoppin Street; Market Street, eastbound, between 11th Street and 10th Street; Market Street, westbound, between Rose Street and Valencia Street
- QQQ. ESTABLISH – NO RIGHT TURN EXCEPT MUNI, SAMTRANS, AC TRANSIT, AND BICYCLES – Van Ness Avenue, southbound, at Market Street; Market Street, both directions, at Van Ness Avenue
- RRR. ESTABLISH – RIGHT LANE MUST TURN RIGHT – Market Street, eastbound, between Valencia Street and Gough Street
- SSS. ESTABLISH – LEFT TURN ONLY ONTO MARKET STREET – 12th Street, northbound, at Market Street
- TTT. ESTABLISH – RIGHT TURN ONLY EXCEPT BICYCLES, TAXIS, AC TRANSIT, AND MUNI – Market Street, eastbound, at 12th Street
- UUU. ESTABLISH – LEFT TURN ONLY EXCEPT BICYCLES, BUSES, TAXIS, AND COMMERCIAL VEHICLES – McAllister Street, eastbound, at Jones/Market Streets
- VVV. ESTABLISH – TWO-WAY STREET – Jones Street, between Market Street and Golden Gate Avenue
- WWW. ESTABLISH – YELLOW COMMERCIAL METERED ZONE, 7 AM TO 6 PM, MONDAY THROUGH SATURDAY – Van Ness Avenue, west side, from 20 feet to 64 feet south of Hickory Street
- XXX. ESTABLISH – BLUE ZONE – Van Ness Avenue, west side, from Hickory Street to 20

- feet southerly
- YYY. RESCIND –YELLOW COMMERCIAL METERED ZONE and ESTABLISH –BLUE ZONE – Ellis Street, north side, from 9 feet to 30 feet west of Powell Street
- ZZZ. RESCIND –RED ZONE and ESTABLISH –BLUE ZONE – Jones Street, east side, from 25 feet to 46 feet north of McAllister Street
- AAAA. ESTABLISH – RIGHT TURN ONLY, EXCEPT MUNI AND BICYCLES – Market Street, eastbound, at Beale Street intersection
- BBBB. ESTABLISH – CLASS IV CYCLETRACK (SIDEWALK LEVEL) – Market Street, eastbound, between 8th Street and Steuart Street; Market Street, westbound, between Steuart Street and Hyde Street; Market Street, eastbound, between Octavia Street and Van Ness Avenue ; Market Street, eastbound, between 10th Street and 8th Street ; Market Street, westbound, between Hyde Street and Rose Street ; Market Street, westbound, between Valencia Street and Octavia Street
- CCCC. ESTABLISH – CLASS IV CYCLETRACK (ROADWAY LEVEL) – McAllister Street, westbound, between Market Street and Charles J Brenham Place; Charles J Brenham Place, northbound, between Market Street and McAllister Street
- DDDD. ESTABLISH – TOW-AWAY, NO STOPPING ANYTIME – Market Street, south side, from Steuart Street to 66 feet westerly; Market Street, south side, from Beale Street to Main Street; Market Street, north side, from Front Street to 128 feet easterly; Market Street, south side, from 1st Street to 157 feet westerly; Market Street, south side, from Sansome Street to 145 feet westerly; Market Street, north side, from 2nd Street to 172 feet easterly; Market Street, north side, from 90 feet to 215 feet west of Montgomery Street ; Market Street, south side, from 130 feet to 320 feet west of Montgomery Street; Market Street, south side, from 3rd Street to 235 feet westerly; Market Street, south side, from O’Farrell Street to 197 feet westerly; Market Street, north side, from 45 feet to 170 feet west of O’Farrell Street; Market Street, south side, from Powell Street to 277 feet easterly; Market Street, north side, from Powell Street to 5th Street; Market Street, north side, from 62 feet to 187 feet east of Mason Street; Market Street, south side, from Mason Street to 212 feet westerly; Market Street, north side, from 72 feet to 197 feet west of 6th Street ; Market Street, south side, from 118 feet to 308 west of 6th Street; Market Street, north side, from UN Plaza mid-block crossing to 175 feet easterly; Market Street, north side, from 87 feet to 227 feet east of UN Plaza mid-block crossing; Market Street, south side, from 167 feet to 292 feet east of UN Plaza mid-block crossing; Market Street, south side, from UN Plaza mid-block crossing to 170 feet westerly (near side center lane boarding island); Market Street, south side, from Gough Street to 107 feet easterly; Market Street, north side, from Gough Street to 107 feet easterly; Market Street, both sides, from Van Ness Avenue to 190 feet; 11th Street, east side, from 154 feet to 222 feet south of Market Street; Market Street, north side, from 40 feet to 160 feet west of 9th Street; Market Street, south side, from 40 feet to 165 feet east of 9th Street
- EEEE. ESTABLISH – TOW-AWAY, NO STOPPING ANYTIME – Mason Street, west side, between Turk and Mason streets; 6th Street, both sides, from Market Street to 10 feet southerly
- FFFF. ESTABLISH – TOW-AWAY, NO STOPPING ANYTIME – Market Street, between Octavia Street and Steuart Street, except where there are designated truck loading zones; McAllister Street, north side, from Jones Street to Charles J Brenham Place

PAGE 9

- GGGG. RESCIND –YELLOW COMMERCIAL METERED SPACES and ESTABLISH – TOW-AWAY, NO STOPPING ANYTIME EXCEPT MUNI, Spear Street, east side, from Mission Street to 137 feet northerly
- HHHH. ESTABLISH – NO RIGHT TURN ON RED – Market Street, westbound, at McAllister/Jones/Market Streets intersection
- IIII. ESTABLISH – NO LEFT TURN EXCEPT MUNI AND BICYCLES – Market Street, westbound, at 2nd Street
- JJJJ. ESTABLISH – NO LEFT TURN EXCEPT MUNI – McAllister Street, westbound, at Charles J Brenham Place
- KKKK. RESCIND – RIGHT TURN ONLY – Charles J Brenham Place, southbound, at Market Street
- LLLL. ESTABLISH – TRAFFIC SIGNAL – Market Street at Steuart Street; Market Street, between Powell Street and 4th Street; Grove Street, at Hyde Street
- MMMM. ESTABLISH – CROSSWALK – Market Street at Main Street, east crossing; Market Street at McAllister Street, east crossing; Hyde Street at Grove Street, north crossing; Fell Street at Polk Street; Market Street, between Gough Street and Brady Street, from south sidewalk to curbside transit stop; Market Street, between 12th Street and South Van Ness Avenue, from south sidewalk to curbside transit stop; Market Street, between Franklin Street and Van Ness Avenue, from north sidewalk to paratransit/taxi loading area ; Market Street, between Franklin Street and Van Ness Avenue, from north sidewalk to curbside transit stop ; Market Street, between Fell Street and Van Ness Avenue, from north sidewalk to paratransit/taxi loading area ; Market Street, between Polk Street and Hayes Street, from north sidewalk to paratransit/taxi loading area and curbside transit stop; Market Street, between 9th Street and 8th Street, from south sidewalk to curbside transit stop and tour bus loading area; Market Street, between UN Plaza midblock and 7th Street, from south sidewalk to curbside transit stop; Market Street, between UN Plaza midblock and Charles J Brenham Place, from north sidewalk to curbside transit stop; McAllister Street, between Jones Street and Leavenworth Street, from north sidewalk to curbside transit stop; Market Street, between 7th Street and 6th Street , from south sidewalk to curbside transit stop ; Market Street, between Jones Street and Golden Gate Avenue, from north sidewalk to curbside transit stop ; Market Street, between 6th Street and 5th Street, from south sidewalk to curbside transit stop ; Market Street, between Mason Street and Cyril Magnin Street, from north sidewalk to curbside transit stop ; Market Street, between 4th Street and 3rd Street, from south sidewalk to curbside transit stop ; Market Street, between Stockton Street and O’Farrell Street, from north sidewalk to curbside transit stop ; Market Street, between 3rd Street and New Montgomery Street, from south sidewalk to curbside transit stop ; Market Street, between Kearny Street and Montgomery Street, from north sidewalk to curbside transit stop ; Market Street, between 2nd Street and 1st Street, from south sidewalk to curbside transit stop ; Market Street, between Sansome Street and Battery Street, from north sidewalk to curbside transit stop ; Market Street, between Front Street and Pine Street, from north sidewalk to curbside transit stop ; Market Street, between Spear Street and Steuart Street, from south sidewalk to curbside transit stop
- NNNN. ESTABLISH – RAISED CROSSWALK – Brady Street at Market Street; Rose Street at Market Street
- OOOO. ESTABLISH – GENERAL METERED PARKING – Valencia Street, east side, between

111 and 133 feet south of Market Street; Valencia Street, east side, McCoppin Street and 26 feet northerly

- PPPP. ESTABLISH – WHITE PASSENGER LOADING ZONE AT ALL TIMES – Valencia Street, east side, between 16 to 62 feet south of Market Street
- QQQQ. ESTABLISH – TOUR BUS LOADING ZONE ONLY, 5-MINUTE TIME LIMIT – Market Street, south side, from 154 feet to 254 feet west of 8th street
- RRRR. ESTABLISH – TOW-AWAY, NO STOPPING, EXCEPT TRUCK LOADING ZONE, 12 AM TO 3 PM AND 7:30 PM TO MIDNIGHT, 30-MINUTE LIMIT – Market Street, north side, from 30 feet to 170 feet west of Steuart Street; Market Street, north side, from 46 feet to 191 feet west of Fremont Street; Market Street, north side, from 101 feet to 250 feet east of O’Farrell Street; Market Street, north side, from 273 feet to 419 feet west of Stockton Street; Market Street, north side, from 91 feet to 238 feet east of 6th Street; Market Street, north side, from 43 feet to 156 feet east of McAllister Street; Market Street, north side, from 105 feet to 225 feet east of 8th Street; Market Street, north side, from 210 feet to 361 feet east of 9th Street
- SSSS. ESTABLISH – TOW-AWAY, NO STOPPING, EXCEPT TRUCK LOADING ZONE, 12 AM TO 6 AM AND 9:30 AM TO MIDNIGHT, 30-MINUTE LIMIT – Market Street, south side, from 95 feet to 235 west of Steuart Street; Market Street, south side, from Fremont Street to 121 feet easterly; Market Street, south side, from 46 feet to 191 feet west of Fremont Street; Market Street, south side, from 93 feet to 237 feet east of 2nd Street; Market Street, south side, from Grant Avenue to 108 feet easterly; Market Street, south side, from 165 feet to 311 feet east of 6th Street; Market Street, south side, from 26 feet to 109 feet east of 7th Street; Market Street, south side, from 174 feet to 288 feet east of 8th Street
- TTTT. ESTABLISH – PARATRANSIT/TAXI ZONE – Market Street, north side, from 47 feet to 221 feet west of Fell Street; Market Street, north side, from 20 feet to 88 feet east of 12th Street; Market Street, north side, from 27 feet to 161 feet east of 10th Street
- UUUU. ESTABLISH – YELLOW COMMERCIAL ZONE, 30-MINUTE LIMIT, AT ALL TIMES – Market Street, north side, from Kearny Street to 40 feet easterly
- VVVV. ESTABLISH – WHITE PASSENGER LOADING ZONE AT ALL TIMES – Market Street, south side, from 129 feet to 240 feet east of 11th Street; and

WHEREAS, Final SFMTA decisions, whether made by the City Traffic Engineer or the SFMTA Board, can be reviewed by the Board of Supervisors pursuant to Ordinance 127-18; however, the proposed project is not subject to the Board of Supervisors review because the project is a large capital project that is over \$600M; and

WHEREAS, In accordance with CEQA, the CEQA Guidelines and Chapter 31 of the San Francisco Administrative Code, the San Francisco Planning Department determined that an Environmental Impact Report (EIR) was required for the Better Market Street project and published a Notice of Preparation (NOP) for an Environmental Impact Report (EIR) on January 14, 2015; and

WHEREAS, The Planning Department published the Initial Study and provided public notice of the availability of the Initial Study on March 30, 2016; and

PAGE 11

WHEREAS, The Planning Department published the Draft EIR for the proposed project and western variant and provided public notice of the availability of the Draft EIR for public review and comment on February 27, 2019; and

WHEREAS, The San Francisco Planning Commission held a duly noticed public hearing on the Draft EIR on April 4, 2019, and accepted written comments until April 15, 2019; and

WHEREAS, The Planning Department prepared a response to comments received on environmental issues, and made minor text changes to the Draft EIR in a Responses to Comments document published on September 23, 2019; and

WHEREAS, The San Francisco Planning Commission, on October 10, 2019, certified the Final EIR and found that the contents of said report and the procedures through which the report was prepared, publicized, and reviewed complied with the provisions of CEQA, the CEQA Guidelines and Chapter 31 of the San Francisco Administrative Code, and found that the Final EIR was adequate, accurate and objective, and that the Responses to Comments document contains no significant revisions to the Draft EIR; and

WHEREAS, A copy of the Better Market Street FEIR is on file with the Secretary to the SFMTA Board of Directors, and may be found in the records of the Planning Department at 1650 Mission Street in San Francisco, and are incorporated herein by reference; and

WHEREAS, Public Works, the sponsor agency, approved the proposed project with the western variant and adopted the CEQA Findings, including a statement of overriding considerations, and the Mitigation Measure and Reporting Program (MMRP) on October 11, 2019; and

WHEREAS, The public has been notified about the proposed modifications and has been given the opportunity to comment on those modifications through the public hearing process; and, now, therefore, be it

RESOLVED, That Final SFMTA decisions, whether made by the City Traffic Engineer or the SFMTA Board, can be reviewed by the Board of Supervisors pursuant to Ordinance 127-18; however, the proposed project is not subject to the Board of Supervisors review because the project is a large capital project that is over \$600M; and be it further

RESOLVED, The SFMTA Board of Directors has reviewed and considered the Better Market Street Final EIR and record as a whole, and finds that the Better Market Street Final EIR is adequate for the Board's use as the decision-making body for the actions taken herein; and, be it further

RESOLVED, The SFMTA Board of Directors adopts the Better Market Street Final EIR CEQA findings as its own, including the mitigation measures applicable to the Better Market Street Project and western variant, M-TR-1: Construction Management Plan – Additional Measures; M-CP-1a: Prepare and Submit Additional Documentation for the Market Street Cultural Landscape District; M-CP-1b: Develop and Implement an Interpretive Program; M-CP-1c: Hold Public Commemorative and Educational Program Series; M-CP-4: Tribal Cultural

PAGE 12

Resources Interpretive Program; M-NO-1: Prepare and Implement a Construction Noise Control Plan to Reduce Construction Noise at Noise-Sensitive Land Uses; M-NO-3: Nighttime Construction Vibration Control Measures – Annoyance; and M-AQ-1: Off-Road Construction Equipment Emissions Minimization; the SFMTA Board of Directors adopts these mitigation measures as a condition of this approval; a copy of the CEQA findings and MMRP are on file with the Secretary to the SFMTA Board of Directors; and, be it further

RESOLVED, That the SFMTA Board of Directors adopts the BMS Project, including the western variant, which consists of a separate bikeway, private vehicle restrictions, Muni only lanes, Muni service and stop changes, a new F line loop, and parking and loading changes; and, be it further

RESOLVED, That the SFMTA Board of Directors concurs with the Planning Department's determination that prohibiting the entry of vehicles on Market Street between Steuart and 9th streets, in the westbound direction, and Market Street between 10th and Main streets, in the eastbound direction, except for buses, taxis, bicycles, commercial vehicles, and emergency vehicles and on Market Street between 9th and 12th streets, in the westbound direction, and between 12th and 11th streets, in the eastbound direction, except for Muni, AC transit, taxis, bicycles, and emergency vehicles, and other vehicular circulation changes are designed to implement Objective 18 of the City's General Plan's Transportation Element pursuant to California Vehicle Code section 21101(f) in order to allow the right-of-way to be allocated for other users of the street, thereby improving safety, prioritizing sustainable transportation modes, providing for loading to support adjacent land uses, and improving Market Street as a civic space; and, be it further


RESOLVED, That the SFMTA Board of Directors finds that prohibiting the entry of vehicles on Market Street between Steuart and 9th streets, in the westbound direction, and Market Street between 10th and Main streets, in the eastbound direction, except for buses, taxis, bicycles, commercial vehicles, and emergency vehicles provides for the health and safety of citizens pursuant to California Vehicle Code section 21101(f) because collisions on Market Street are of significant concern because they involve a high number of vulnerable roadway users and Market Street has four of the top 10 intersections for pedestrian- and bicycle-involved collisions in the past five years; and, be it further

RESOLVED, That the SFMTA Board of Directors finds that permanently closing Bush/Battery Street, southbound, between Bush and Market streets and Page Street between Franklin and Market streets to vehicular traffic, except for bicycles and emergency vehicles, is necessary in order to enhance safety and comfort for vulnerable street users and to improve traffic and transit operations in the vicinity since SFMTA staff have determined that the above referenced street segments are no longer needed for vehicular traffic, given the closure of Market Street and associated turn restrictions, pursuant to California Vehicle Code section 21101(a); and, be it further

RESOLVED, That the SFMTA Board of Directors approves the parking and traffic modifications, as set forth in Items A through VVVV above, as a part of the BMS Project; and be it further

RESOLVED, That the SFMTA Board amends Transportation Code Division II to designate transit-only areas at the following locations: Market Street, eastbound, between 10th and Main streets; Market Street, westbound, between Beale and 8th streets; Market Street, eastbound, between Gough and 10th streets; Market Street, westbound, between 8th and 12th streets; 11th Street, northbound, from Market Street to 134 feet south of Market Street (in F trackway area); 2nd Street, northbound, from Market and Stevenson streets; Main Street, northbound, from Market Street to 180 feet southerly; Charles J Brenham Place, southbound, from McAllister to Market Street; and to rescind transit-only areas on Market Street, eastbound, between 12th and 3rd streets; and Market Street, westbound, between South Van Ness Avenue and 3rd Street.

I certify that the foregoing resolution was adopted by the San Francisco Municipal Transportation Agency Board of Directors at its meeting of October 15, 2019.



Secretary to the Board of Directors
San Francisco Municipal Transportation Agency

RESOLUTION NO. 191015-131

[Transportation Code - Transit Only Lanes]

Resolution amending Division II of the Transportation Code to designate new Transit-only lanes on 2nd Street, 11th Street, Charles J. Brenham Place, Main Street, and Market Street, and eliminate an existing Transit-only lane on Market Street.

NOTE: Additions are single-underline Times New Roman;
deletions are ~~strike-through Times New Roman~~.

The Municipal Transportation Agency Board of Directors of the City and County of San Francisco enacts the following regulations:

Section 1. Article 600 of Division II of the Transportation Code is hereby amended by revising Section 601, to read as follows:

SEC. 601. DESIGNATED TRANSIT-ONLY AREAS.

(a) The locations listed in this Section 601 are designated as Transit-only Areas. Any vehicle operating within a Transit-only Area during times that the Transit-only Area is enforced is in violation of Transportation Code, Division I, Section 7.2.72 (Driving in Transit-only Area).

* * * *

(24) Market Street, eastbound, between 10th Street and Main Street, and Market Street, westbound, between Beale Street and 8th Street. Except as to Municipal Railway vehicles, and authorized emergency vehicles, no vehicle may operate within Transit-only Areas on Market Street, eastbound, between 10th Street and Main Street and Market Street, westbound, between Beale Street and 8th Street.

(25) Market Street, eastbound, between Gough Street and 10th Street, and Market Street, westbound, between 8th Street and 12th Street. Except as to Municipal Railway and AC Transit vehicles, taxis, and authorized emergency vehicles, no

vehicle may operate within Transit-only Areas on Market Street, eastbound, between Gough Street and 10th Street and Market Street, westbound, between 8th Street and 12th Street.

(26) 11th Street, northbound, from Market Street to 134 feet south of Market Street. Except as to Municipal Railway vehicles, and authorized emergency vehicles, no vehicle may operate within Transit-only Areas on 11th Street, northbound, from Market Street to 134 feet south of Market Street.

(27) Charles J. Brenham Place, southbound, from McAllister Street to Market Street. Except as to Municipal Railway vehicles, and authorized emergency vehicles, no vehicle may operate within Transit-only Areas on Charles J. Brenham Place, southbound, from McAllister Street to Market Street.

(28) 2nd Street, northbound, from Market Street to Stevenson Street. Except as to buses, taxicabs, authorized emergency vehicles, bicycles, and commercial vehicles, no vehicle may operate within Transit-only Areas on 2nd Street, northbound, from Market Street to Stevenson Street.

(29) Main Street, northbound, from Market Street to 180 feet south of Market Street. Except as to buses, taxis, authorized emergency vehicles, bicycles, and commercial vehicles, no vehicle may operate within Transit-only Areas on Main Street, northbound, from Market Street to 180 feet south of Market Street.

(2430) Other Transit-Only Areas. Except for buses, taxicabs, vehicles preparing to make a turn, vehicles entering into or exiting from a stopped position at the curb, and vehicles entering into or exiting from a driveway, no vehicle may operate in the following Transit-only Areas during the times indicated:

| Hours of Operation | Street | From | To |
|--------------------|----------------------|--------------|--------------|
| All Times | 1st St. | Market St. | Howard St. |
| | 3rd St. | Townsend St. | Market St. |
| | 4th St. | Market St. | Folsom St. |
| | 16th St. (Westbound) | Third St. | Church St. |
| | 16th St. (Eastbound) | Bryant St. | Potrero Ave. |

| | | | |
|--|-----------------------------------|------------------------------|----------------------|
| | 16th St. (Eastbound) | Vermont St. | Third St. |
| | Bush St. (Eastbound) | 151 feet east of Sansome St. | Battery St. |
| | Church St. | 16th St. | Duboce Ave. |
| | Clay St. | Sansome St. | Davis St. |
| | Fremont St. | Mission St. | Market St. |
| | Fremont St. (Northbound) | Harrison St. | Folsom St. |
| | Geary St. | Market St. | Gough St. |
| | Geary Blvd. (Westbound) | Gough St. | Baker St. |
| | Geary Blvd. (Eastbound) | Fillmore St. | Gough St. |
| | Geary Blvd. (Eastbound) | Baker St. | Steiner St. |
| | Geary Blvd. (Eastbound) | Masonic Ave. | Presidio Ave. |
| | Geary Blvd. | Stanyan St. | Collins St. |
| | Geneva Ave. (Outbound) | Delano Ave. | 280 Freeway Overpass |
| | Judah St. | 20th Ave. | La Playa St. |
| | Market St. (Eastbound) | 12th St. | 3rd St. |
| | Market St. (Westbound) | So. Van Ness Ave. | 3rd St. |
| | Mission Street (Northbound) | Randall St. | Cesar Chavez St. |
| | Mission Street (Eastbound) | 1st Street | Beale Street |
| | Mission St. (Westbound) | Main St. | 1st Street |
| | Mission St. (Westbound) | 11th St. | South Van Ness Ave. |
| | Mission St. (Southbound) | Duboce Ave. | Randall St. |
| | O'Farrell St. | Stockton St. | Grant St. |
| | O'Farrell St. | Franklin St. | Powell St. |
| | Otis St. (Outbound) | South Van Ness Ave. | Duboce Ave. |
| | Post St. | Gough St. | Grant St. |
| | Potrero Ave. (Southbound) | 25th St. | 18th St. |
| | Sacramento St., (Westbound) | Drumm St. | Front St. |
| | Starr King Way | Gough St. | Franklin St. |
| | Stockton St. | Bush St. | Market St. |
| | Sutter St. | Gough St. | Kearny St. |

| | | | |
|--|----------------------------|----------------|-------------------|
| | Taraval St. (Eastbound) | 46th Ave. | 17th Ave. |
| | Taraval St. (Westbound) | 15th Ave. | 46th Ave. |
| 6:00 AM – 10:00 AM, Monday – Friday | Bush St. (Eastbound) | Montgomery St. | Sansome St. |
| | Bush St. (Eastbound) | Sansome St. | 151 Feet Easterly |
| 7:00 AM – 9:00 AM, Monday – Friday | Mission St. (Eastbound) | 11th St. | 5th St. |
| | Clay St. (Eastbound) | Powell St. | Sansome St. |
| | Sacramento St. (Westbound) | Kearny St. | Grant Ave. |
| 7:00 AM-7:00 PM, Monday-Friday | Sacramento St. | Front St. | Kearny St. |
| 7:00 AM-6:00 PM, Monday-Friday | Mission St. (Eastbound) | 5th St. | 1st St. |
| | Mission St. (Westbound) | 1st St. | 4th St. |
| 3:00 PM – 8:00 PM, Monday – Friday | Bush St. (Eastbound) | Montgomery St. | Sansome St. |
| 3:30 PM – 7:00 PM, Monday – Friday | Sacramento St. (Westbound) | Kearny St. | Larkin St. |
| 4:00 PM-6:00 PM, Monday-Friday | Mission St. (Eastbound) | 11th St. | 5th St. |
| | Mission St. (Westbound) | 4th St. | 11th St. |
| 3:00 PM-6:00 PM, Monday-Friday | Sutter St. | Sansome St. | Kearny St. |
| | Clay St. (Eastbound) | Grant Ave. | Sansome St. |
| 3:00 PM-7:00 PM, Monday-Friday | Bush St. (Eastbound) | Sansome St. | 151 feet Easterly |

Section 2. Effective Date. This ordinance shall become effective 31 days after enactment. Enactment occurs when the San Francisco Municipal Transportation Agency Board of Directors approves this ordinance.

Section 3. Scope of Ordinance. In enacting this ordinance, the San Francisco Municipal Transportation Agency Board of Directors intends to amend only those words, phrases, paragraphs, subsections, sections, articles, numbers, letters, punctuation marks, charts, diagrams, or any other constituent parts of the Transportation Code that

PAGE 5

are explicitly shown in this ordinance as additions or deletions in accordance with the "Note" that appears under the official title of the ordinance.

APPROVED AS TO FORM:
DENNIS J. HERRERA, City Attorney

By: _____
JOHN I. KENNEDY
Deputy City Attorney

n:\legana\as2019\2000080\01390781.docx

I certify that the foregoing resolution was adopted by the San Francisco Municipal Transportation Agency Board of Directors at its meeting of October 15, 2019.



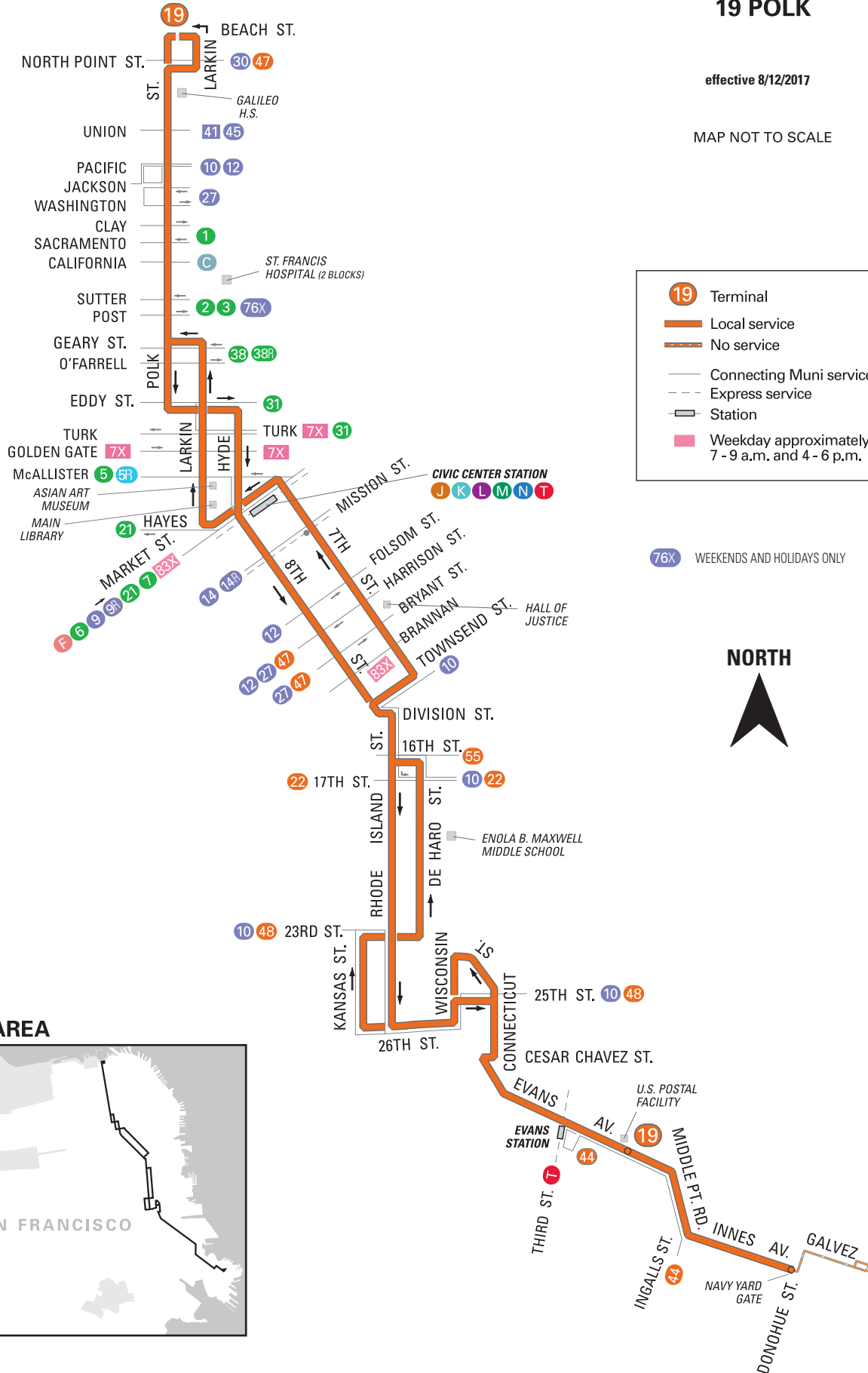
Secretary to the Board of Directors
San Francisco Municipal Transportation Agency



19 POLK

effective 8/12/2017

MAP NOT TO SCALE



- 19 Terminal
- Local service
- No service
- Connecting Muni service
- Express service
- T Station
- Weekday approximately 7 - 9 a.m. and 4 - 6 p.m.

76X WEEKENDS AND HOLIDAYS ONLY



SERVICE AREA





21 HAYES

effective 8/18/2018

MAP NOT TO SCALE

21 Terminal

Local service

Connecting Muni service

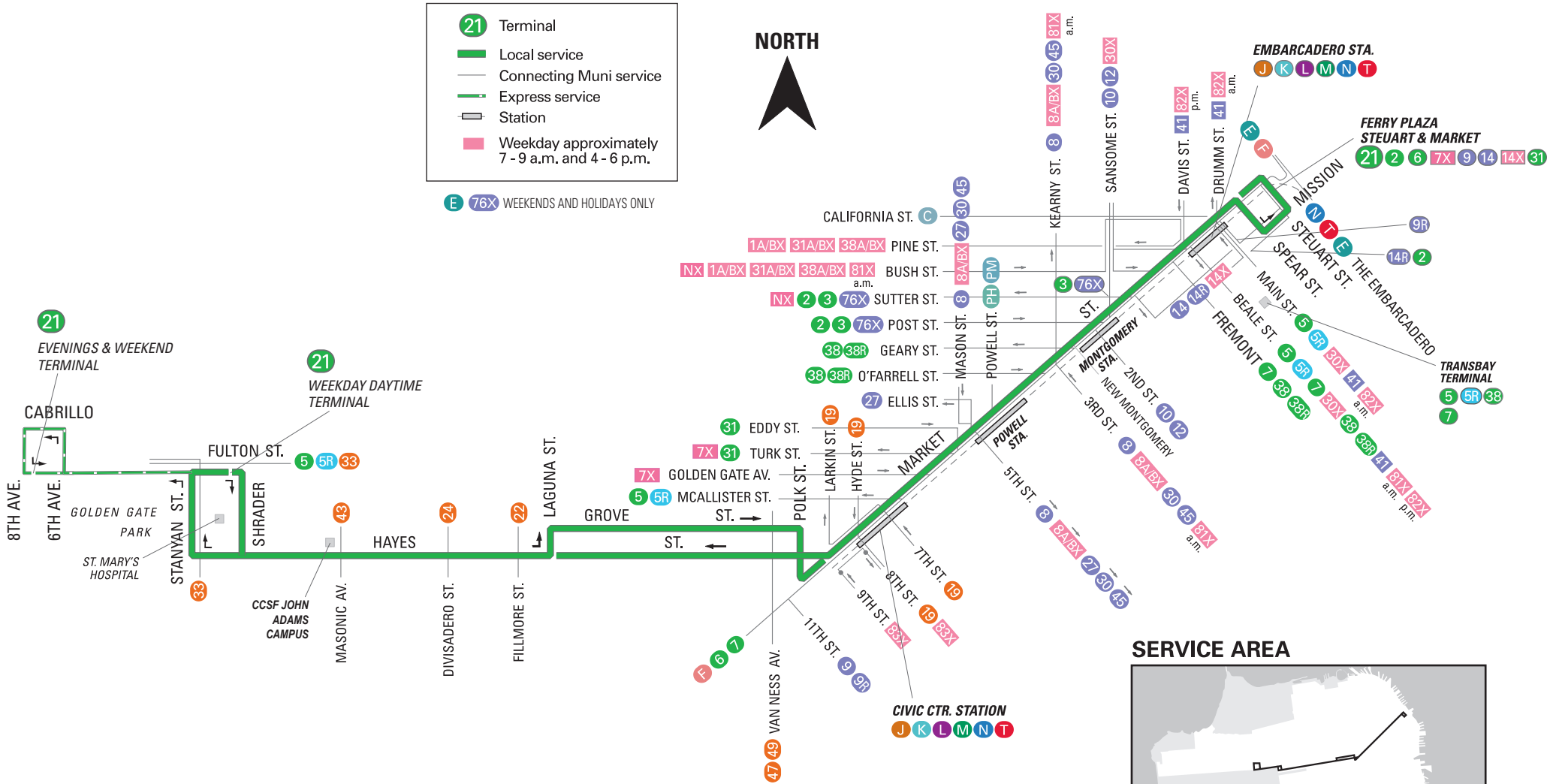
Express service

Station

Weekday approximately 7 - 9 a.m. and 4 - 6 p.m.

E 76X WEEKENDS AND HOLIDAYS ONLY

NORTH



SERVICE AREA



TransBASE Internal Dashboard

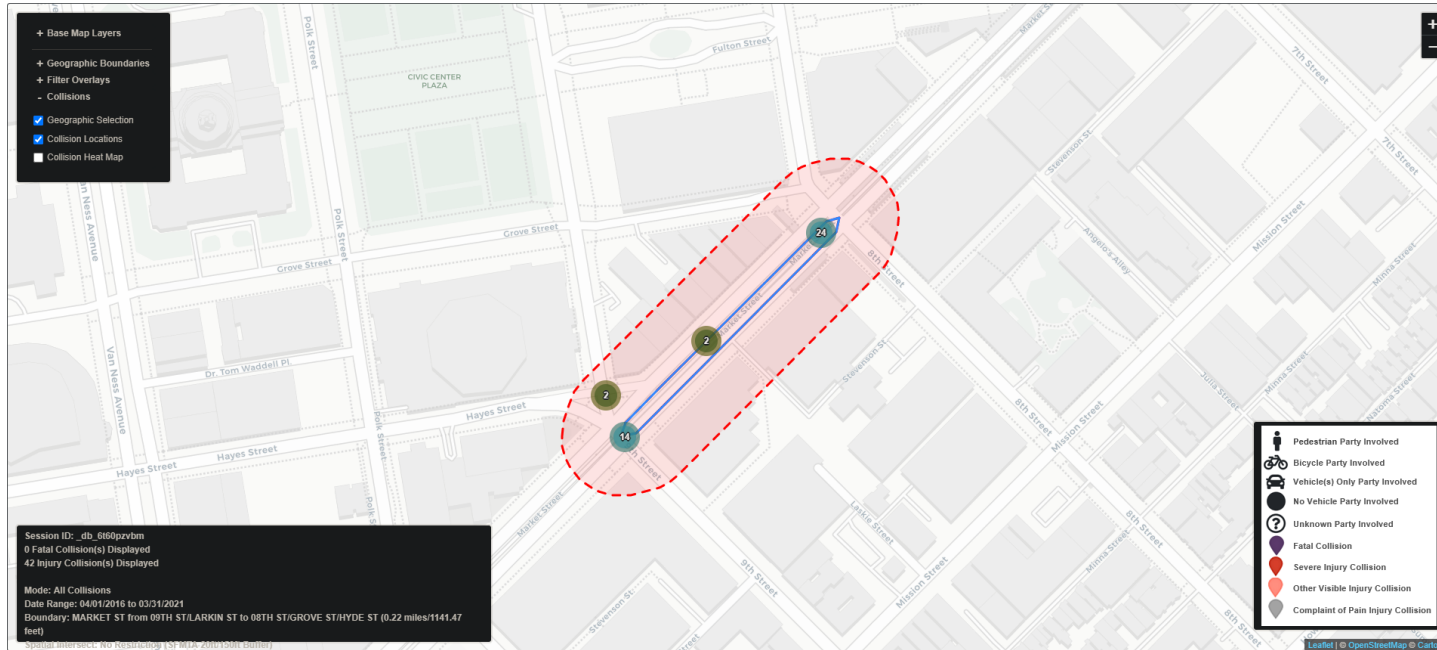
Geographic Extent: MARKET ST from 09TH ST/LARKIN ST to 08TH ST/GROVE ST/HYDE ST (0.22 miles/1141.47 feet)

Spatial Intersect: No Restriction (SFMTA 20ft/150ft Buffer)

Data Range: 04/01/2016 to 03/31/2021

Pull Date: 6/23/2021

Geographic Extent



TransBASE Internal Dashboard

Geographic Extent: MARKET ST from 09TH ST/LARKIN ST to 08TH ST/GROVE ST/HYDE ST (0.22 miles/1141.47 feet)

Spatial Intersect: No Restriction (SFMTA 20ft/150ft Buffer)

Data Range: 04/01/2016 to 03/31/2021

Pull Date: 6/23/2021

Collision/Party/Victim Table

Showing 1 to 42 of 42 entries

Count of Fatal Collisions: 0

Count of Non-Fatal Injury Collisions: 42

Total Count of Fatal/Non-Fatal Injury Collisions: 42

| Case ID | Collision Date | Collision Time | Day of Week | Primary Road | Secondary Road | Distance | Direction | Party 1 Type | Party 1 Direction of Travel | Party 1 Movement Preceding Crash | Party 2 Type | Party 2 Direction of Travel | Party 2 Movement Preceding Crash | Vehicle Code Violation | Highest Degree of Injury | Type of Collision | Motor Vehicle Involved With | Weather | Lighting |
|-----------|----------------|----------------|-------------|--------------|----------------|----------|------------|--------------|-----------------------------|----------------------------------|--------------|-----------------------------|----------------------------------|------------------------|----------------------------|---------------------|-----------------------------|---------|----------------------|
| 210120626 | 02/21/2021 | 17:10 | Sunday | MARKET ST | 09TH ST | 0 | Not Stated | Bicyclist | East | Proceeding Straight | | | | CVC 22350 | Injury (Complaint of Pain) | Not Stated | Not Stated | Clear | Not Stated |
| 210022351 | 01/11/2021 | 07:50 | Monday | MARKET ST | LARKIN ST | 0 | Not Stated | Driver | West | Proceeding Straight | Driver | North | Proceeding Straight | CVC 21453(a) | Injury (Complaint of Pain) | Broadside | Other Motor Vehicle | Cloudy | Daylight |
| 200712960 | 11/25/2020 | 15:17 | Wednesday | LARKIN ST | HAYES ST | 0 | Not Stated | Driver | North | Stopped | Driver | North | Proceeding Straight | CVC 21703 | Injury (Complaint of Pain) | Rear End | Other Motor Vehicle | Clear | Daylight |
| 200608159 | 10/08/2020 | 23:06 | Thursday | MARKET ST | 09TH ST | 0 | Not Stated | Pedestrian | East | Not Stated | Driver | West | Slowing/ Stopping | CVC 21955 | Injury (Other Visible) | Vehicle/ Pedestrian | Pedestrian | Clear | Dark - Street Lights |
| 200553952 | 09/14/2020 | 18:24 | Monday | MARKET ST | HAYES ST | 55 | East | Pedestrian | South | Other | Bicyclist | West | Proceeding Straight | CVC 21954(a) | Injury (Other Visible) | Sideswipe | Not Stated | Clear | Daylight |
| 200480521 | 08/11/2020 | 04:42 | Tuesday | MARKET ST | HYDE ST | 0 | Not Stated | Pedestrian | North | Proceeding Straight | Driver | West | Proceeding Straight | CVC 21954(a) | Injury (Severe) | Head-On | Pedestrian | Clear | Dark - Street Lights |
| 200459946 | 08/01/2020 | 10:25 | Saturday | MARKET ST | HAYES ST | 324 | East | Bicyclist | West | Proceeding Straight | | | | CVC Unknown | Injury (Other Visible) | Other | Other Object | Clear | Daylight |
| 200118277 | 02/16/2020 | 15:24 | Sunday | HYDE ST | GROVE ST | 0 | Not Stated | Bicyclist | West | Traveling Wrong Way | Bicyclist | South | Proceeding Straight | CVC 21650.1 | Injury (Other Visible) | Other | Bicycle | Clear | Daylight |
| 200013821 | 01/06/2020 | 13:59 | Monday | HYDE ST | GROVE ST | 0 | Not Stated | Pedestrian | East | Proceeding Straight | Driver | South | Proceeding Straight | CVC 21955 | Injury (Complaint of Pain) | Vehicle/ Pedestrian | Pedestrian | Clear | Daylight |
| 190966592 | 12/25/2019 | 01:10 | Wednesday | MARKET ST | HYDE ST | 0 | Not Stated | Driver | West | Proceeding Straight | Pedestrian | West | Proceeding Straight | CVC 21955 | Injury (Complaint of Pain) | Vehicle/ Pedestrian | Pedestrian | Raining | Dark - Street Lights |
| 190791361 | 10/20/2019 | 15:05 | Sunday | MARKET ST | 09TH ST | 0 | Not Stated | Driver | North | Proceeding Straight | Driver | East | Proceeding Straight | CVC 23152(f) | Injury (Complaint of Pain) | Broadside | Other Motor Vehicle | Clear | Daylight |
| 190706053 | 09/20/2019 | 23:20 | Friday | HYDE ST | MARKET ST | 0 | Not Stated | Driver | South | Proceeding Straight | Driver | South | Stopped | CVC 21703 | Injury (Other Visible) | Other | Other Motor Vehicle | Clear | Dark - Street Lights |
| 190683570 | 09/13/2019 | 10:13 | Friday | MARKET ST | 09TH ST | 0 | Not Stated | Driver | East | Making Right Turn | Driver | North | Proceeding Straight | CVC 22107 | Injury (Complaint of Pain) | Broadside | Other Motor Vehicle | Clear | Daylight |

TransBASE Internal Dashboard

Geographic Extent: MARKET ST from 09TH ST/LARKIN ST to 08TH ST/GROVE ST/HYDE ST (0.22 miles/1141.47 feet)

Spatial Intersect: No Restriction (SFMTA 20ft/150ft Buffer)

Data Range: 04/01/2016 to 03/31/2021

Pull Date: 6/23/2021

| Case ID | Collision Date | Collision Time | Day of Week | Primary Road | Secondary Road | Distance | Direction | Party 1 Type | Party 1 Direction of Travel | Party 1 Movement Preceding Crash | Party 2 Type | Party 2 Direction of Travel | Party 2 Movement Preceding Crash | Vehicle Code Violation | Highest Degree of Injury | Type of Collision | Motor Vehicle Involved With | Weather | Lighting |
|-----------|----------------|----------------|-------------|--------------|----------------|----------|------------|--------------|-----------------------------|----------------------------------|--------------|-----------------------------|----------------------------------|------------------------|----------------------------|---------------------|-----------------------------|---------|----------------------|
| 190240299 | 04/05/2019 | 01:00 | Friday | MARKET ST | HYDE ST | 0 | Not Stated | Driver | South | Proceeding Straight | Other | East | Proceeding Straight | CVC 21453(a) | Injury (Complaint of Pain) | Broadside | Other Motor Vehicle | Clear | Dark - Street Lights |
| 190231862 | 04/02/2019 | 10:43 | Tuesday | MARKET ST | 08TH ST | 187 | West | Driver | West | Passing Other Vehicle | Driver | West | Proceeding Straight | CVC 21750 | Injury (Complaint of Pain) | Sideswipe | Other Motor Vehicle | Raining | Daylight |
| 190081764 | 02/02/2019 | 05:18 | Saturday | MARKET ST | 08TH ST | 110 | West | Driver | West | Crossed Into Opposing Lane | | | | CVC 22350 | Injury (Complaint of Pain) | Hit Object | Fixed Object | Raining | Dark - Street Lights |
| 190039638 | 01/16/2019 | 17:51 | Wednesday | MARKET ST | HYDE ST | 300 | West | Driver | West | Changing Lanes | Driver | West | Making Left Turn | CVC 22350 | Injury (Complaint of Pain) | Sideswipe | Other Motor Vehicle | Raining | Dark - Street Lights |
| 180860227 | 11/12/2018 | 16:41 | Monday | MARKET ST | HYDE ST | 5 | East | Other | West | Stopped In Road | Bicyclist | West | Proceeding Straight | CVC 22517 | Injury (Complaint of Pain) | Other | Bicycle | Clear | Daylight |
| 180842617 | 11/06/2018 | 08:56 | Tuesday | MARKET ST | 08TH ST | 0 | Not Stated | Bicyclist | East | Changing Lanes | | | | CVC Unknown | Injury (Complaint of Pain) | Other | Not Stated | Clear | Daylight |
| 180832527 | 11/02/2018 | 12:53 | Friday | MARKET ST | HYDE ST | 0 | Not Stated | Bicyclist | South | Proceeding Straight | Driver | West | Proceeding Straight | CVC 21453(a) | Injury (Complaint of Pain) | Broadside | Bicycle | Clear | Daylight |
| 180706160 | 09/17/2018 | 21:02 | Monday | MARKET ST | HYDE ST | 198 | West | Pedestrian | North | Other | Bicyclist | West | Proceeding Straight | CVC 21955 | Injury (Other Visible) | Vehicle/ Pedestrian | Pedestrian | Clear | Dark - Street Lights |
| 180682902 | 09/09/2018 | 16:44 | Sunday | MARKET ST | HYDE ST | 0 | Not Stated | Driver | West | Proceeding Straight | Pedestrian | South | Proceeding Straight | CVC 21453(a) | Injury (Complaint of Pain) | Vehicle/ Pedestrian | Pedestrian | Clear | Daylight |
| 180652109 | 08/29/2018 | 12:45 | Wednesday | MARKET ST | 09TH ST | 0 | Not Stated | Driver | North | Proceeding Straight | Driver | Not Stated | Making Left Turn | CVC 21750 | Injury (Severe) | Sideswipe | Other Motor Vehicle | Clear | Daylight |
| 180432547 | 06/11/2018 | 10:13 | Monday | MARKET ST | 09TH ST | 0 | Not Stated | Driver | East | Stopped In Road | Bicyclist | East | Stopped In Road | CVC 22107 | Injury (Other Visible) | Sideswipe | Bicycle | Clear | Daylight |
| 180426324 | 06/05/2018 | | Tuesday | 09TH ST | MARKET ST | 0 | Not Stated | Other | North | Other | Bicyclist | North | Proceeding Straight | CVC 22517 | Injury (Complaint of Pain) | Sideswipe | Bicycle | Clear | Daylight |
| 180399652 | 05/29/2018 | 14:52 | Tuesday | MARKET ST | 08TH ST | 81 | West | Bicyclist | East | Proceeding Straight | | | | CVC 22350 | Injury (Complaint of Pain) | Other | Non-Collision | Clear | Daylight |
| 180365528 | 05/16/2018 | 16:37 | Wednesday | MARKET ST | 08TH ST | 50 | West | Pedestrian | North | Proceeding Straight | Driver | East | Proceeding Straight | CVC 21954(a) | Injury (Other Visible) | Vehicle/ Pedestrian | Pedestrian | Clear | Daylight |
| 180290931 | 04/19/2018 | 20:00 | Thursday | MARKET ST | 08TH ST | 20 | East | Driver | East | Stopped In Road | Bicyclist | West | Proceeding Straight | CVC 22517 | Injury (Complaint of Pain) | Sideswipe | Bicycle | Clear | Dark - Street Lights |
| 180181910 | 03/09/2018 | 15:56 | Friday | MARKET ST | 09TH ST | 72 | East | Pedestrian | North | Proceeding Straight | Driver | West | Proceeding Straight | CVC 21955 | Injury (Complaint of Pain) | Vehicle/ Pedestrian | Pedestrian | Clear | Daylight |

TransBASE Internal Dashboard

Geographic Extent: MARKET ST from 09TH ST/LARKIN ST to 08TH ST/GROVE ST/HYDE ST (0.22 miles/1141.47 feet)

Spatial Intersect: No Restriction (SFMTA 20ft/150ft Buffer)

Data Range: 04/01/2016 to 03/31/2021

Pull Date: 6/23/2021

| Case ID | Collision Date | Collision Time | Day of Week | Primary Road | Secondary Road | Distance | Direction | Party 1 Type | Party 1 Direction of Travel | Party 1 Movement Preceding Crash | Party 2 Type | Party 2 Direction of Travel | Party 2 Movement Preceding Crash | Vehicle Code Violation | Highest Degree of Injury | Type of Collision | Motor Vehicle Involved With | Weather | Lighting |
|-----------|----------------|----------------|-------------|--------------|----------------|----------|------------|--------------|-----------------------------|----------------------------------|--------------|-----------------------------|----------------------------------|------------------------|----------------------------|---------------------|-----------------------------|---------|----------------------|
| 180137270 | 02/20/2018 | 19:40 | Tuesday | 09TH ST | MARKET ST | 0 | Not Stated | Driver | North | Proceeding Straight | Driver | North | Changing Lanes | CVC Unknown | Injury (Complaint of Pain) | Sideswipe | Other Motor Vehicle | Clear | Dark - Street Lights |
| 171038334 | 12/23/2017 | 17:35 | Saturday | MARKET ST | HYDE ST | 0 | Not Stated | Driver | South | Making Left Turn | Pedestrian | North | Proceeding Straight | CVC 21950(a) | Injury (Complaint of Pain) | Vehicle/ Pedestrian | Not Stated | Cloudy | Dusk - Dawn |
| 170987552 | 12/07/2017 | 13:56 | Thursday | MARKET ST | 08TH ST | 96 | West | Other | East | Other | Driver | Not Stated | Stopped In Road | CVC Unknown | Injury (Complaint of Pain) | Rear End | Train | Clear | Daylight |
| 170975212 | 12/01/2017 | 18:51 | Friday | MARKET ST | 08TH ST | 0 | Not Stated | Pedestrian | Not Stated | Not Stated | Driver | West | Proceeding Straight | CVC 21954(a) | Injury (Complaint of Pain) | Not Stated | Pedestrian | Clear | Dark - Street Lights |
| 170926538 | 11/13/2017 | 20:20 | Monday | MARKET ST | 08TH ST | 125 | West | Driver | East | Parked | Bicyclist | East | Proceeding Straight | CVC 22517 | Injury (Other Visible) | Sideswipe | Bicycle | Clear | Dark - Street Lights |
| 170635494 | 08/05/2017 | 05:06 | Saturday | HAYES ST | LARKIN ST | 0 | Not Stated | Driver | West | Making Left Turn | | | | CVC 22350 | Injury (Other Visible) | Other | Fixed Object | Clear | Dark - Street Lights |
| 170566849 | 07/11/2017 | 19:15 | Tuesday | 09TH ST | MARKET ST | 0 | Not Stated | Driver | North | Parked | Bicyclist | North | Proceeding Straight | CVC 22517 | Injury (Other Visible) | Sideswipe | Bicycle | Clear | Daylight |
| 170376466 | 05/08/2017 | 08:15 | Monday | MARKET ST | 08TH ST | 168 | West | Other | East | Changing Lanes | Bicyclist | East | Proceeding Straight | CVC 22107 | Injury (Complaint of Pain) | Other | Bicycle | Clear | Daylight |
| 170218040 | 03/16/2017 | 19:26 | Thursday | MARKET ST | 08TH ST | 0 | Not Stated | Bicyclist | West | Proceeding Straight | | | | CVC 22350 | Injury (Other Visible) | Hit Object | Other Object | Wind | Dusk - Dawn |
| 170164982 | 02/27/2017 | 08:14 | Monday | MARKET ST | 09TH ST | 0 | Not Stated | Bicyclist | East | Stopped In Road | Pedestrian | North | Stopped In Road | CVC 21453(a) | Injury (Complaint of Pain) | Not Stated | Pedestrian | Clear | Daylight |
| 160508475 | 06/23/2016 | 08:18 | Thursday | MARKET ST | 09TH ST | 0 | Not Stated | Pedestrian | North | Not Stated | Driver | East | Proceeding Straight | CVC 21456(b) | Injury (Other Visible) | Vehicle/ Pedestrian | Pedestrian | Clear | Daylight |
| 160481122 | 06/13/2016 | 17:15 | Monday | MARKET ST | 08TH ST | 26 | West | Pedestrian | South | Other | Driver | West | Making Right Turn | CVC 21955 | Injury (Severe) | Vehicle/ Pedestrian | Pedestrian | Clear | Daylight |
| 160312925 | 04/16/2016 | 13:34 | Saturday | 09TH ST | MARKET ST | 100 | South | Driver | West | Changing Lanes | Driver | West | Stopped In Road | CVC 22107 | Injury (Complaint of Pain) | Rear End | Other Motor Vehicle | Clear | Daylight |

TransBASE Internal Dashboard

Geographic Extent: MARKET ST from 09TH ST/LARKIN ST to 08TH ST/GROVE ST/HYDE ST (0.22 miles/1141.47 feet)

Spatial Intersect: No Restriction (SFMTA 20ft/150ft Buffer)

Data Range: 04/01/2016 to 03/31/2021

Pull Date: 6/23/2021

Metadata Information

Collision Filters

Database Source: TransBASESF.org
Database Pull Date: 6/23/2021
Collision Level: Injury Collisions
Boundary: MARKET ST from 09TH ST/LARKIN ST to 08TH ST/
GROVE ST/HYDE ST (0.22 miles/1141.47 feet)
Collision Dates: 04/01/2016 to 03/31/2021
Collision Month Filter(s): No Restrictions
Collision Distance: Any Distance
Collision Severity Filter(s): No Restrictions
Primary Collision Factor Filter(s): No Restrictions
Collision Type Filter(s): No Restrictions
Intersection/Midblock: No Restriction (SFMTA 20ft/150ft Buffer)

Party Filters

Party Involved Type: No Restrictions
Party Involved Gender: No Restrictions
Party Involved at Fault: No Restrictions
Party Involved Age: No Restriction
Party Involved Sobriety: No Restrictions
Party Involved Condition: No Restrictions
Party Involved Direction of Travel: No Restrictions
Party Involved Safety Equipment 1: No Restrictions
Party Involved Safety Equipment 2: No Restrictions
Party Involved Insurance: No Restrictions
Party Involved Other Associated Factors : No Restrictions
Party Involved Movement Preceding Collision: No Restrictions
Party Involved Vehicle Type: No Restrictions
Party Involved Race: No Restrictions
Party Involved Special Info: No Restrictions

Victim Filters

Victim Involved Role: No Restrictions
Victim Involved Degree of Injury: No Restrictions
Victim Involved Age: No Restriction
Victim Involved Seating Position: No Restrictions
Victim Involved Safety Equipment: No Restrictions
Victim Involved Ejected: No Restrictions

Environmental Filters

Nearest Traffic Control: No Restriction
Intersecting Speed Limit: No Restriction
Intersecting Network: No Restriction
Intersecting Street Class: No Restriction
Weather Description: No Restrictions
Lighting Description: No Restrictions