

## **SFMTA - TASC SUMMARY SHEET**

<p><b>PreStaff_Date:</b> 1/30/2024</p> <p><b>Requested_by:</b> SFMTA</p> <p><b>Handled:</b> Jason Hyde</p> <p><b>Section Head :</b> M Sallaberry <i>MS</i></p>	<p><input type="checkbox"/> <b>Public Hearing Consent</b></p> <p><input checked="" type="checkbox"/> <b>Public Hearing Regular</b></p> <p><input type="checkbox"/> <b>Informational / Other</b> <small>PH - Regular</small></p>	<p><b>No objections:</b> _____</p> <p><b>Item Held:</b> _____</p> <p><b>Other:</b> _____</p>
<p><b>Location:</b> Balboa Street at 19th Avenue</p>		
<p><b>Subject:</b> On Street Bicycle Parking</p>		
<p><b>PROPOSAL / REQUEST:</b> ESTABLISH – NO PARKING ANYTIME EXCEPT BICYCLES</p> <p>Balboa Street, south side, from 60 feet to 80 feet east of 19th Avenue.</p> <p>(Supervisor District 1)</p> <p>This proposal would establish an on-street bicycle corral in an existing general unmetered parking space at 1737 Balboa Street.</p> <p>Jason Hyde, Jason.hyde@sfmta.com</p>		
<p><b>BACKGROUND INFORMATION / COMMENTS</b></p> <p>This proposal establishes a bike corral on the south side of Balboa Street replacing a general unmetered parking space at the request of adjacent business.</p>		
<p><b>HEARING NOTIFICATION AND PROCESSING NOTES:</b></p>	<p><b>ENVIRONMENTAL CLEARANCE BY:</b> <input checked="" type="checkbox"/> SFMTA   <input type="checkbox"/> Attached   <input type="checkbox"/> Pending</p>	
<p><b>CHECK-IF PREPARING SEPARATE SFMTA BOARD CALENDAR ITEM FOR PROPOSAL:</b>   <input type="checkbox"/></p>		





20 foot bike corral





1737 Balboa Street, south side, 60 feet to 80 feet east of 19th Avenue



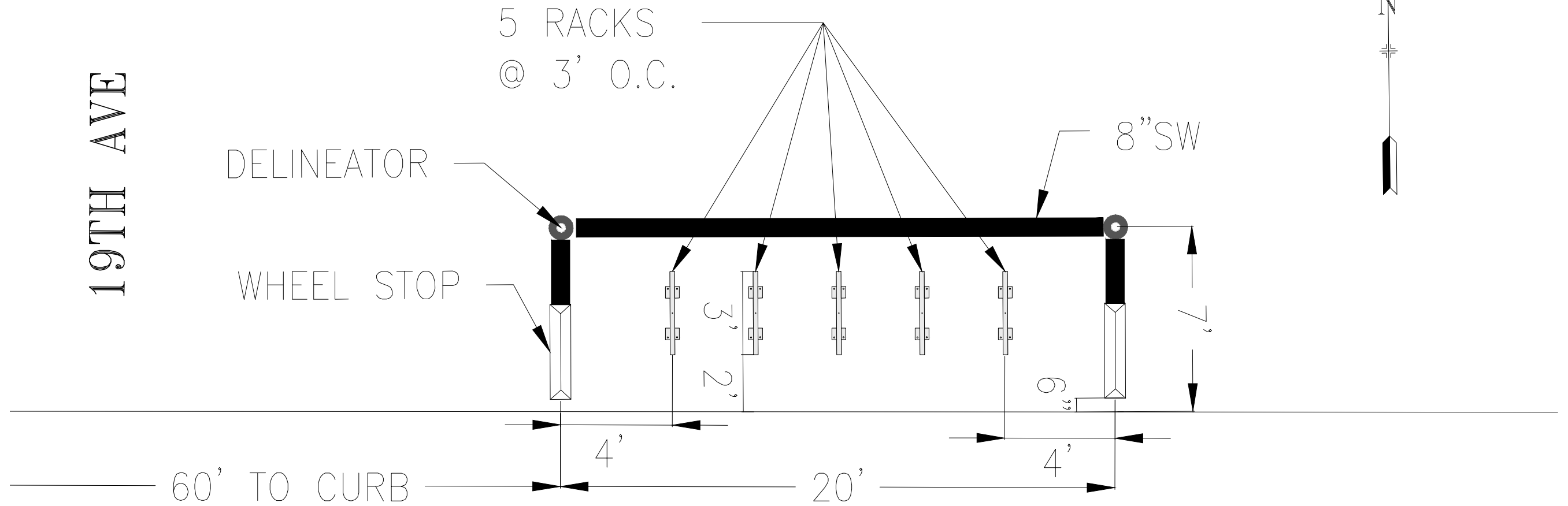
19TH AVE

5 RACKS  
@ 3' 0.C.

DELINEATOR

WHEEL STOP

8" SW



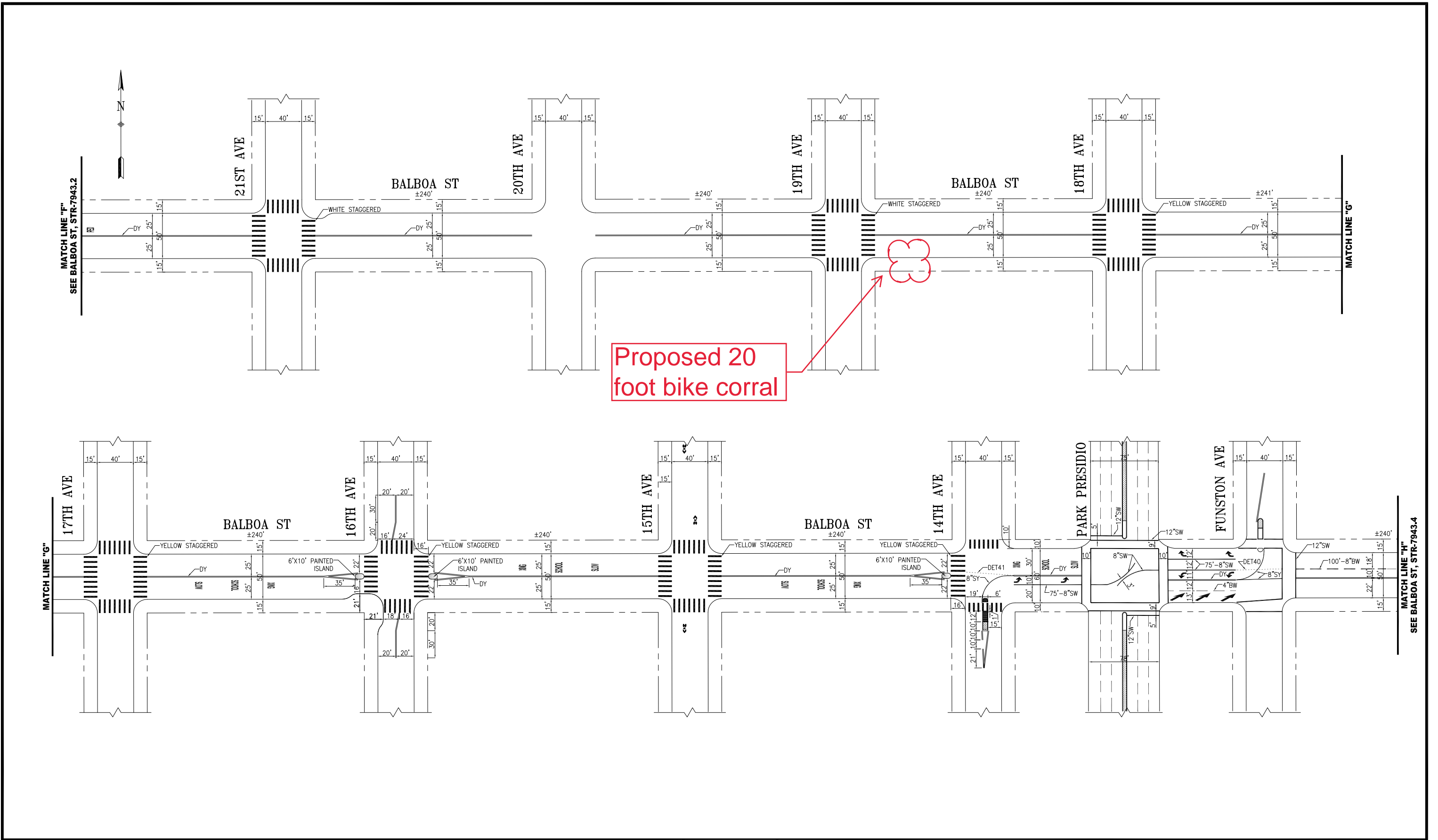
BALBOA ST



SFMTA

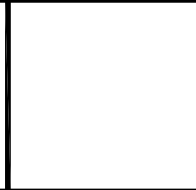


		APPROVED		SCALE:		CONTRACT NO.
DRAWN:	DATE:	SENIOR ENGINEER	DATE:			DRAWING NO.
CHECKED:	DATE:	CITY TRAFFIC ENGINEER	DATE:	SHEET/SHEETS:		FILE NO.
						REV. NO.



NO.	DATE	DESCRIPTION	BY	APP
1	08/31/21	NEW WHITE STAGGERED CONTINENTAL AT 21ST AVE. PER FIELD UPDATES: (10/11/19) DELETE 4" BW EAST OF 14TH AVE; CONTIS, X-WALK & STRIPING DIM @ 16TH, 14TH, & ON PARK PRESIDIO	P.LOUIE	M.SALLABERRY
2	12/28/18	SIDE STREET: SHARROWS ON 15TH AVE	J.CHIMENTO	D.R.CURTIS
3	04/04/14	ADDED MEDIAN AND 8" SY PER 14TH AVE	D.PROVENCE	G.DE LEON

TABLE OF REVISIONS  
CHECK WITH TRACING TO SEE IF YOU HAVE LATEST REVISION



SUPERSEDES STR-1579.1 REV 25	
DRAWN: T.ABDALLAH	DATE: 6/2012
CHECKED: B.WOO	DATE: 6/2012

APPROVED	
THOMAS P. FOLKS SENIOR ENGINEER	6/21/2012
RICARD OLEA CITY TRAFFIC ENGINEER	6/21/2012

SCALE: 1" = 50'
SHEET/SHEETS: 4 OF 5

STRIPING DRAWING  
BALBOA STREET  
22ND AVENUE TO FUNSTON AVENUE

CONTRACT NO.	
DRAWING NO.	STR-7943.3
FILE NO.	
REV. NO.	4

FILE NAME  
DATE: --/--/---