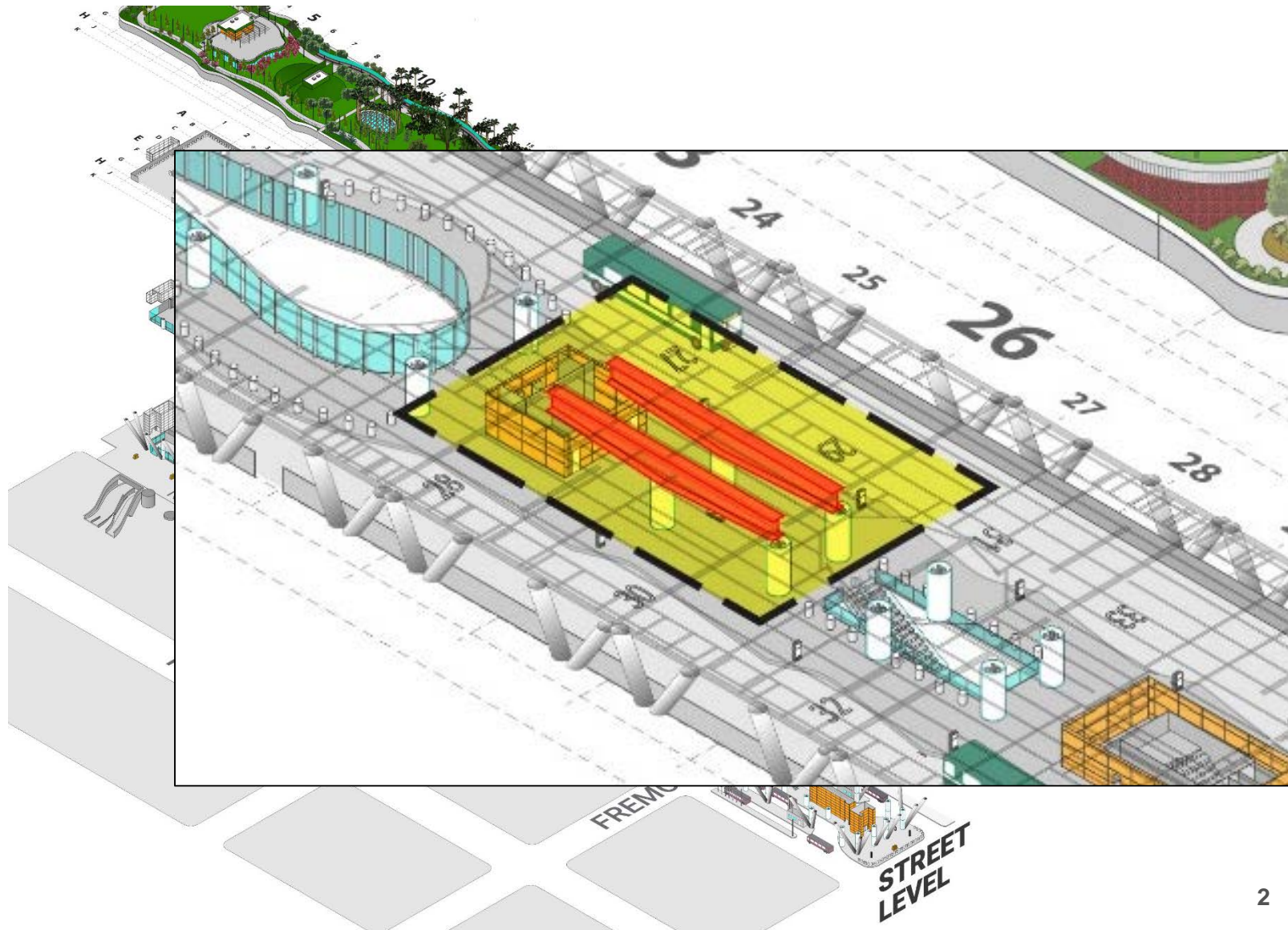


Update on the temporary closure of the Salesforce Transit Center

October 11, 2018



Isometric View – Fremont Street



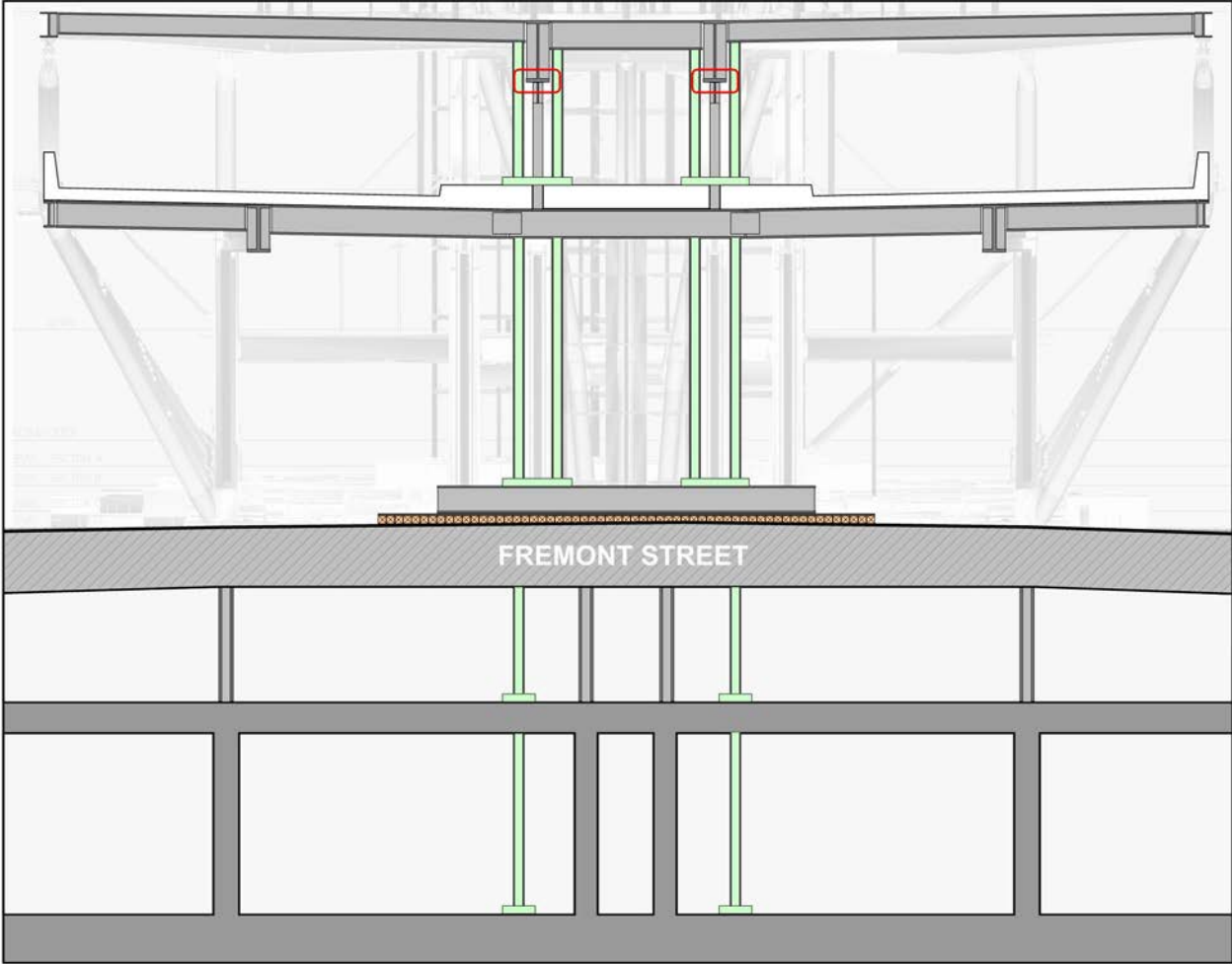
Hanger Beam



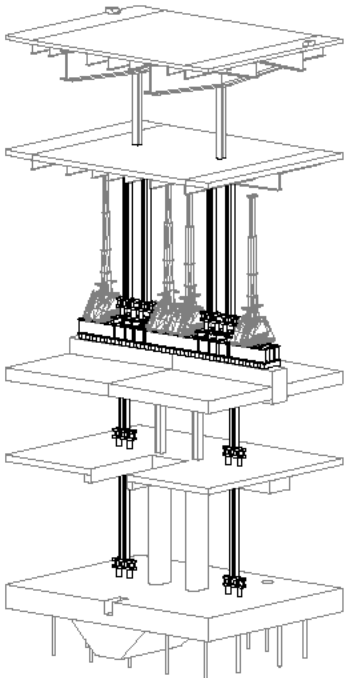
Fremont Street Temporary Support Initial Stabilization Removed - Phase 1



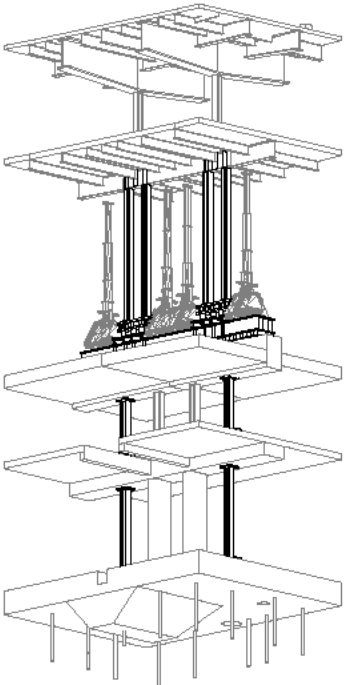
Fremont Street Temporary Support Schematic – Phase 2



Fremont Street Temporary Support Schematic – Phase 2



1 OVERALL 3D
S1-8105 SCALE:



2 OVERALL 3D FROM BELOW
S1-8105 SCALE:

Thornton Tomasetti
307 Wilshire Blvd., Suite 6480
Los Angeles, CA 90017-2018
T 213 390 7000 F 213 630 7001

OVERALL 3D VIEW
TRANSBAY TRANSIT CENTER
PROJECT NUMBER: SS8510.00 DATE: SCALE:

DRAWING NUMBER
S1-8105
© COPYRIGHT THORNTON TOMASETTI 2018

Fremont Street Temporary Support Phase 2 (Ground Level)



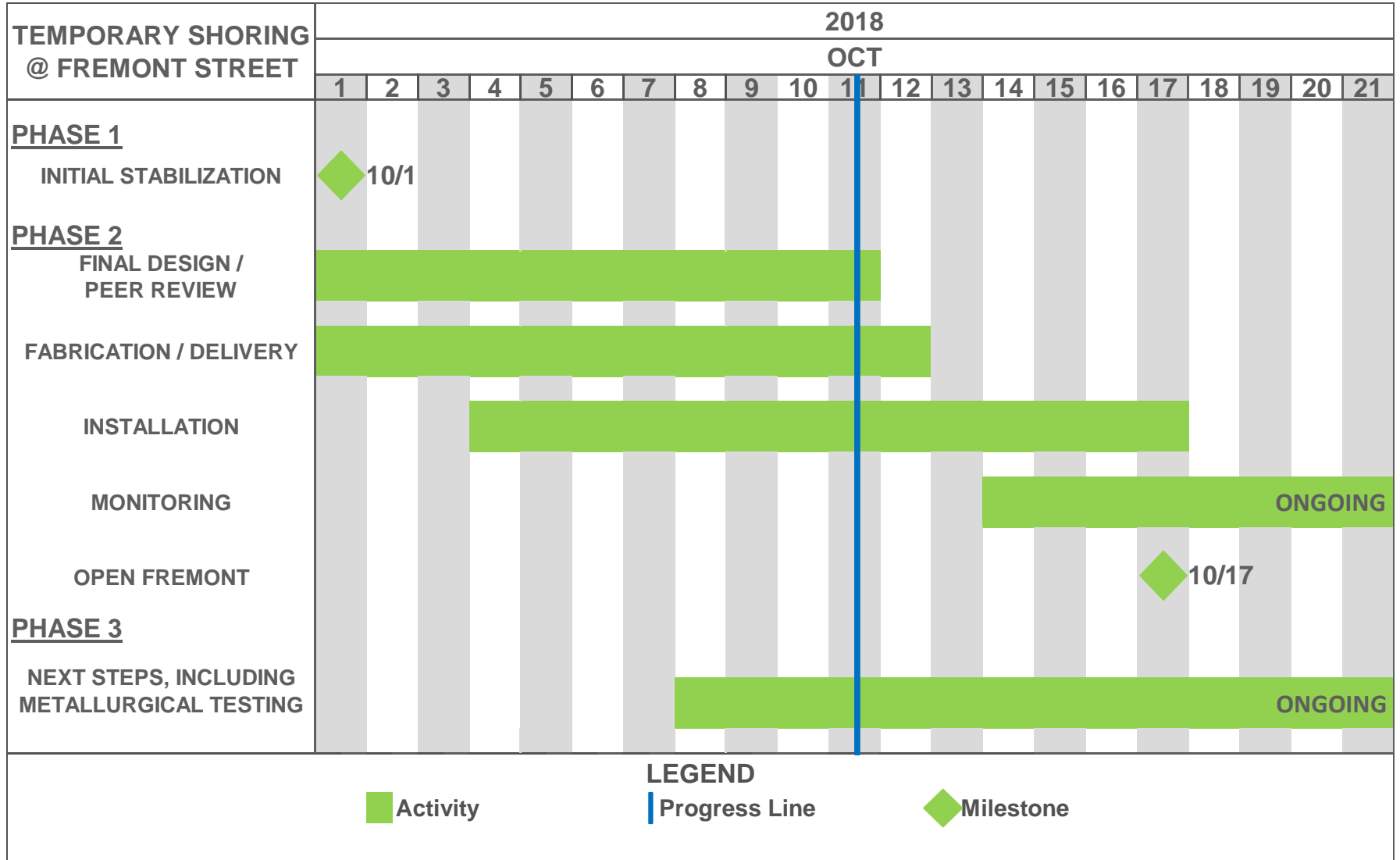
Fremont Street Temporary Support Phase 2 (Ground Level)



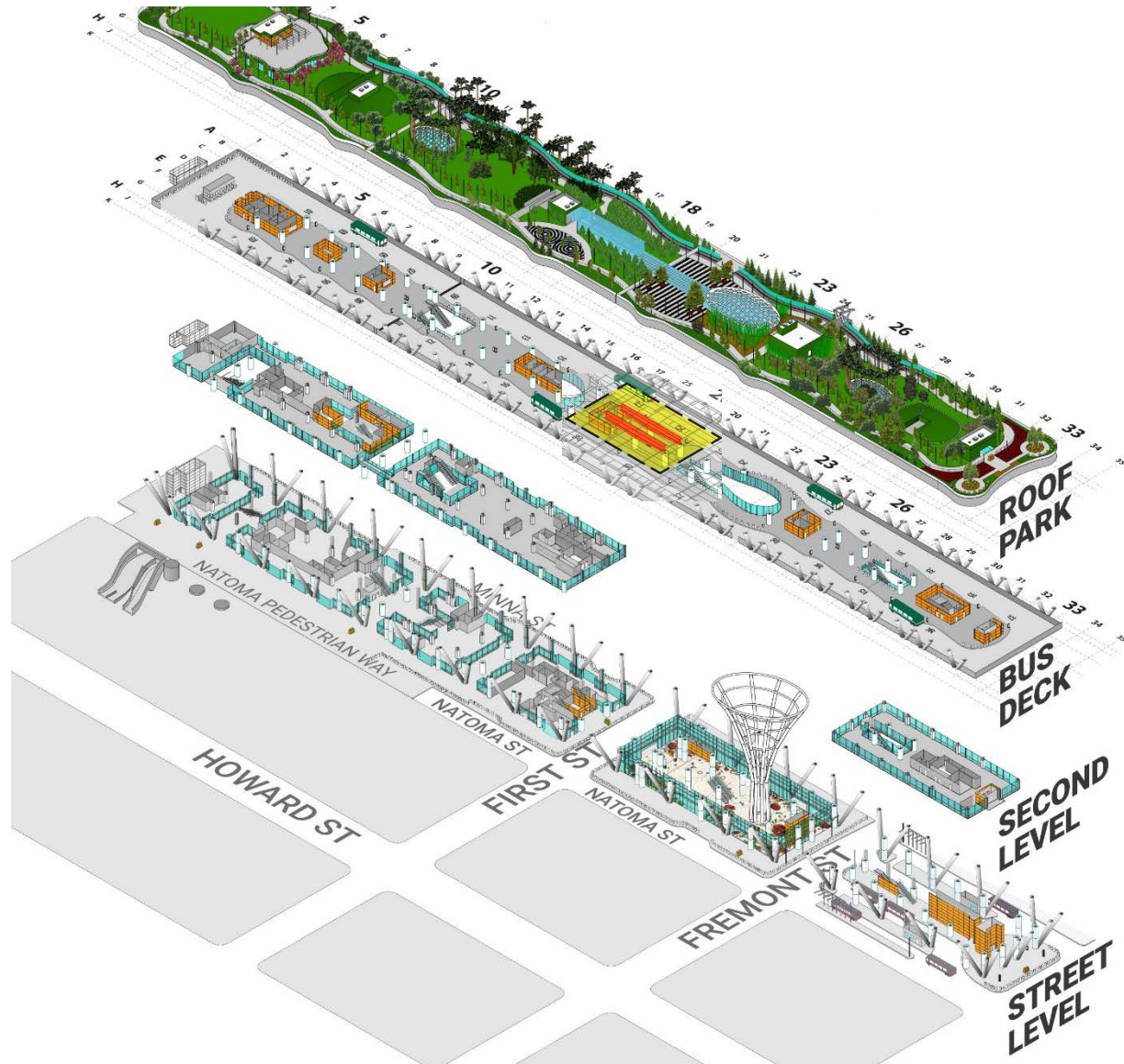
Fremont Street Temporary Support Phase 2 (Bus Deck Level)



Fremont Street Schedule



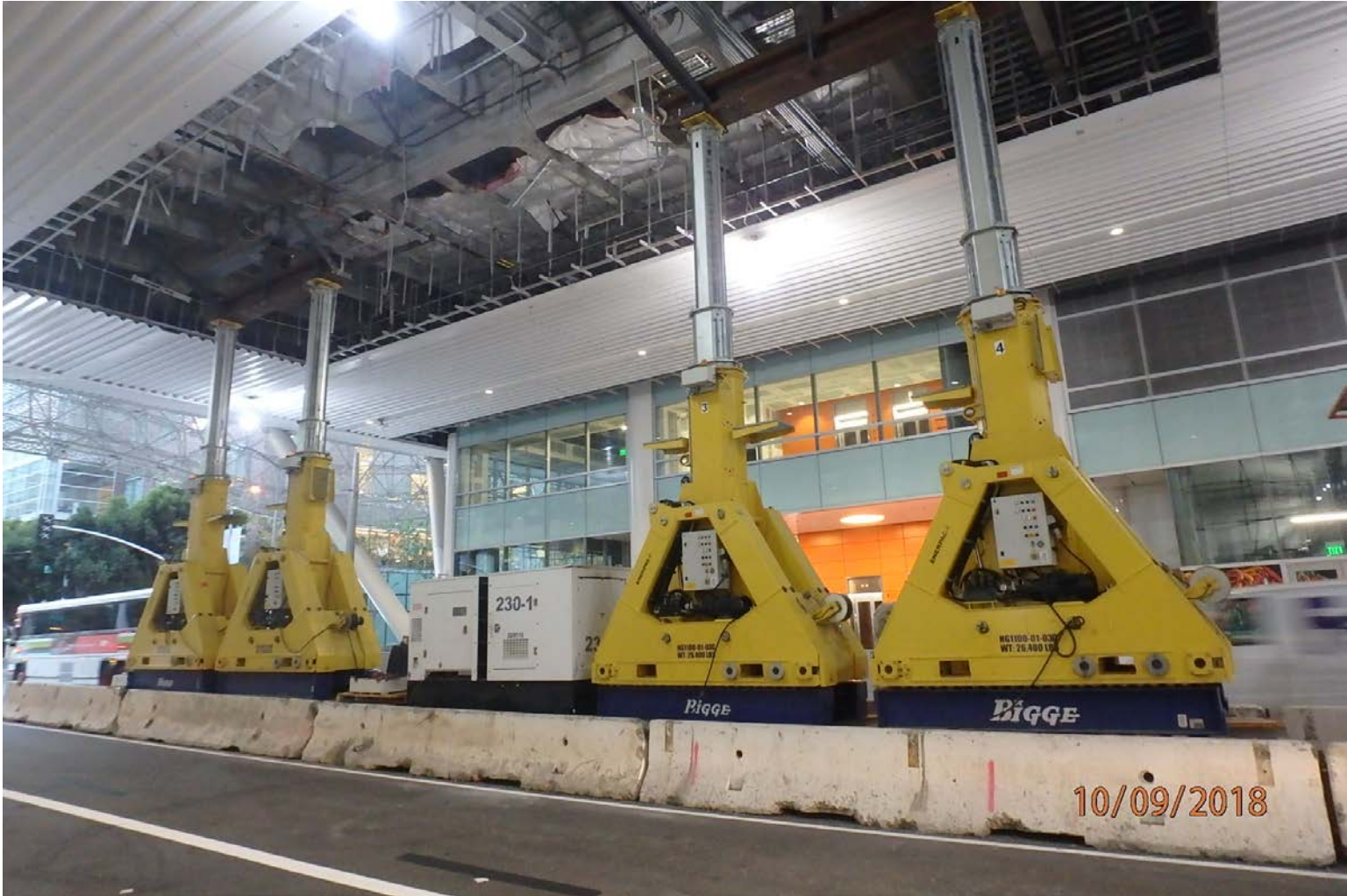
Isometric View – First Street



First Street Temporary Support Preparation



First Street Temporary Support Gantry Jacks installed



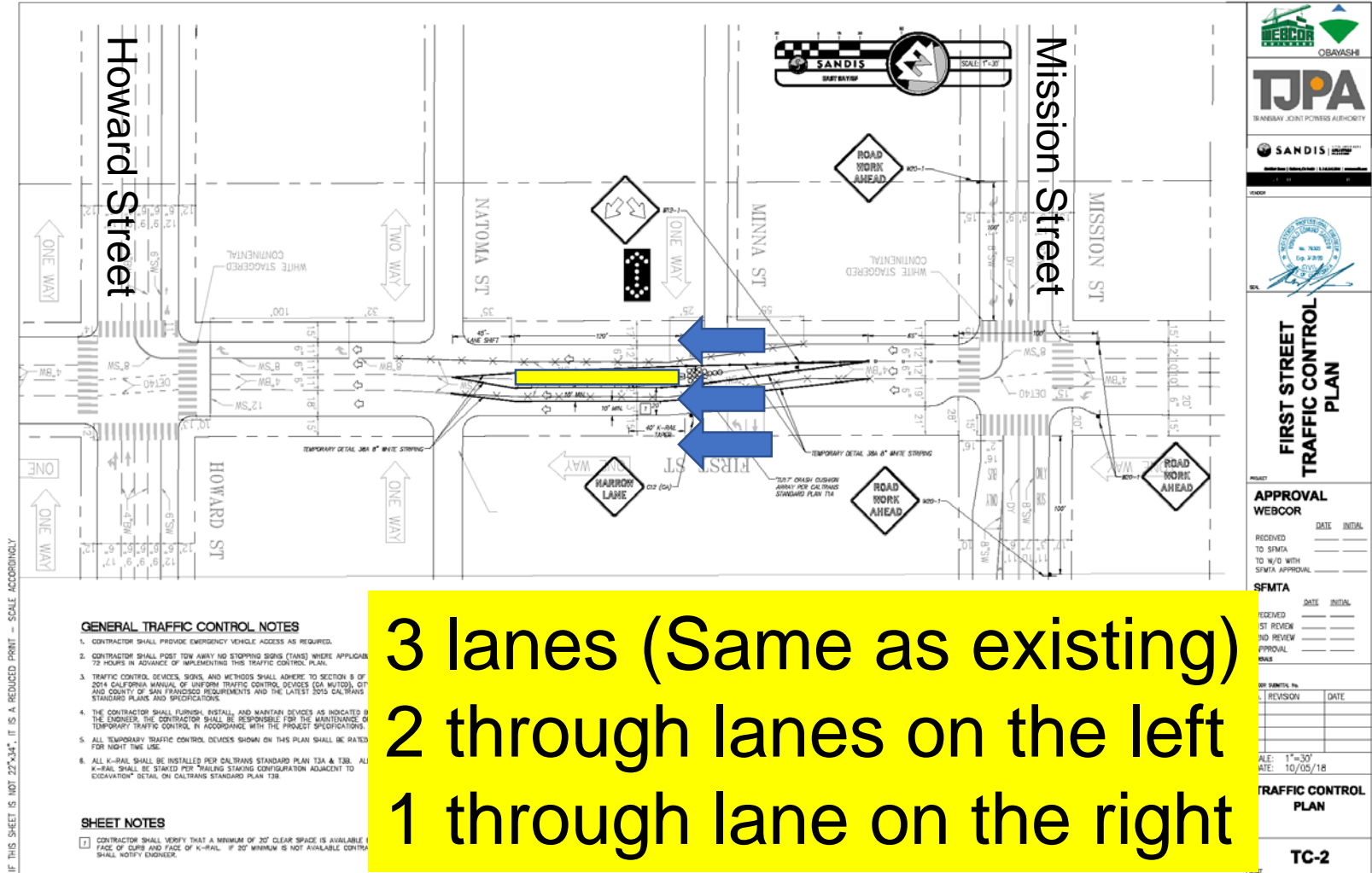
First Street Temporary Supports and Traffic Control installed



First Street Temporary Support Schematic



First Street Temporary Support Traffic Control Plan



Next Steps after Shoring Installation

- Sampling and Testing (2 weeks)
- Determine Cause/Design Potential Fixes
- MTC Peer Review of recommended fix
- Implement permanent fix
- Open the Facility
- Complete a 2nd Peer Review of the Facility

Oversight Update

- Proposed 2018 MTC Peer Review Panel
 - Anticipates 7 members to be chosen this week
 - Complete review of permanent fix
 - Initial kickoff meeting to occur this Friday
- Structural and Seismic Review Committee (Peer Review) on original design and pertinent shop drawings



Thank You

TJPA
TRANSBAY JOINT POWERS AUTHORITY

201 Mission Street, Suite 2100 San Francisco, CA 94105 • 415.597.4620 • www.tjpa.org