

SFMTA - TASC SUMMARY SHEET

PreStaff_Date: 10/1/2024 Requested_by: SFMTA Handled: Grant Brokl <i>LS</i> Section Head : M Sallaberry <i>MS</i>	<input type="checkbox"/> Public Hearing Consent <input type="checkbox"/> Public Hearing Regular <input type="checkbox"/> Informational / Other <small>PH - Regular</small>	No objections: _____ Item Held: _____ Other: _____
--	--	---

Location: Scott Street at Haight Street

Subject: On Street Bicycle Parking

PROPOSAL / REQUEST:
 ESTABLISH – NO PARKING ANYTIME EXCEPT BICYCLES
 Scott Street, east side, from Haight Street to 19 feet southerly (for 9 foot corral and red zones).

 (Supervisor District 5)

 This proposal would establish an on-street bicycle corral in an existing general unmetered parking space at 190 Scott Street.

 Grant Brokl, Grant.Brokl@sfmta.com

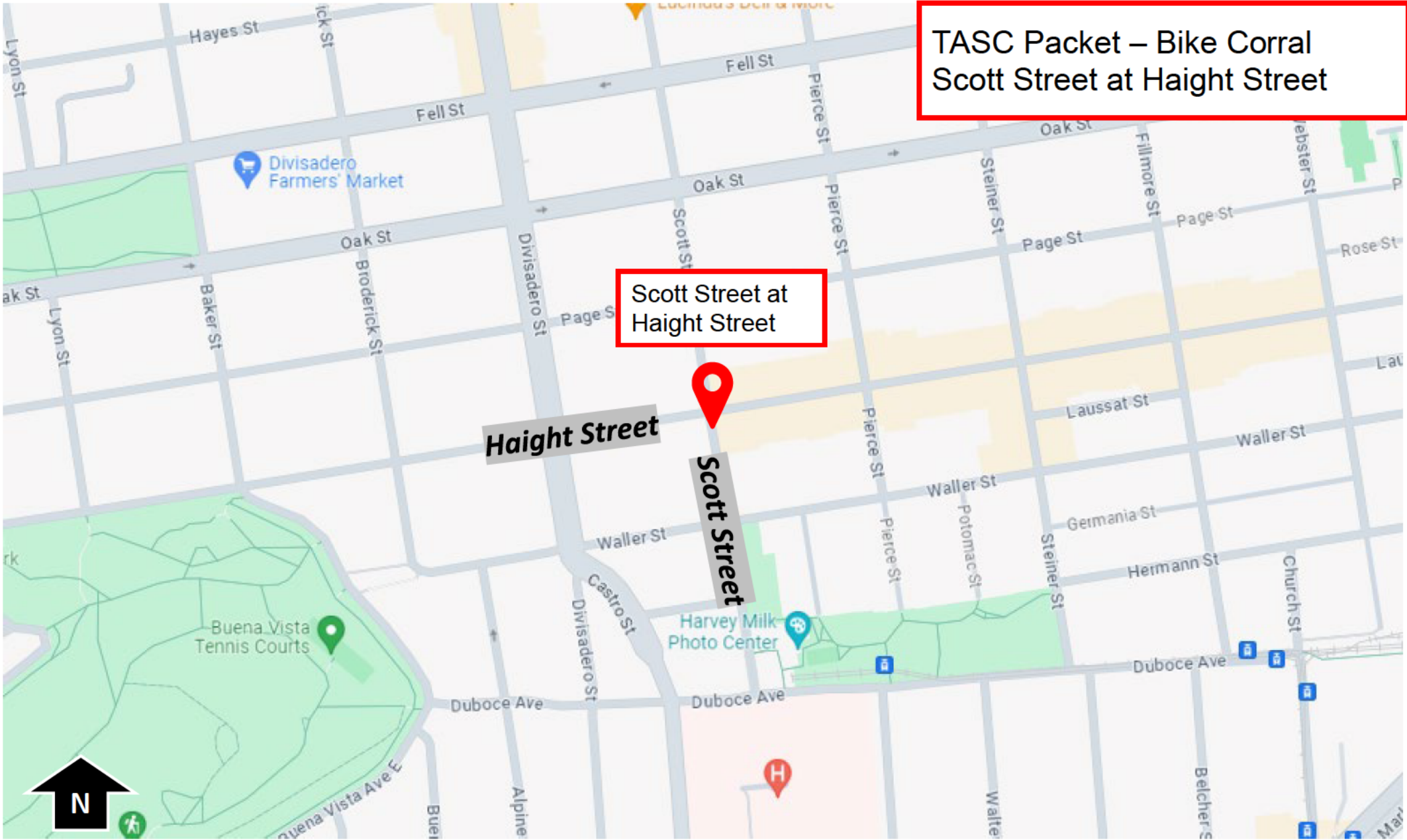
BACKGROUND INFORMATION / COMMENTS
 This proposal establishes a bike corral on the east side of Scott Street replacing a general unmetered parking space at the request of the neighborhood association. This space will become daylighting on January 1st 2025 under AB 413; the proposed corral occupies this planned daylighting zone.

HEARING NOTIFICATION AND PROCESSING NOTES:	ENVIRONMENTAL CLEARANCE BY: <input type="checkbox"/> SFMTA <input type="checkbox"/> Attached <input type="checkbox"/> Pending
---	---

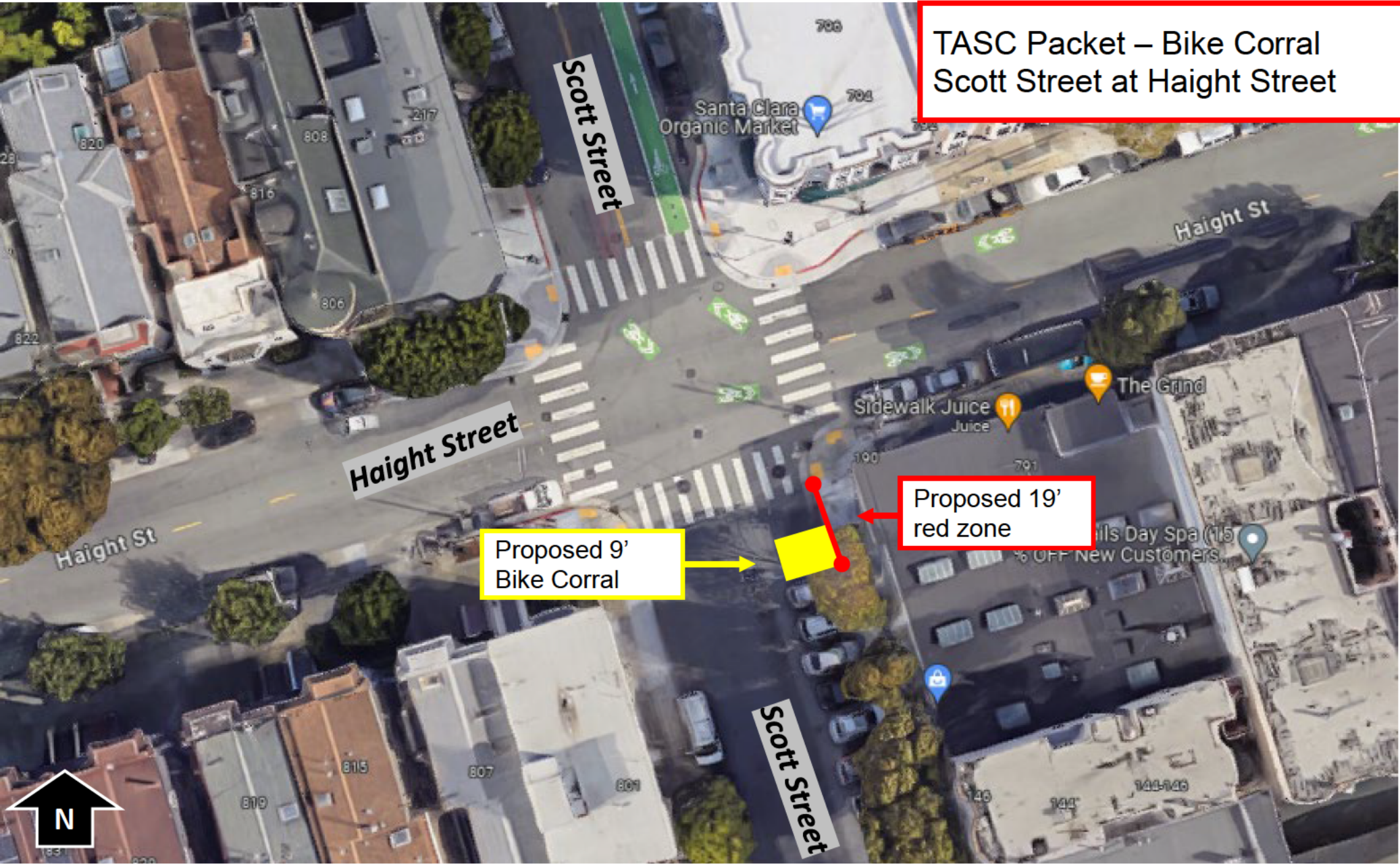
CHECK IF PREPARING SEPARATE SFMTA BOARD CALENDAR ITEM FOR PROPOSAL:

TASC Packet – Bike Corral
Scott Street at Haight Street

Scott Street at
Haight Street



TASC Packet – Bike Corral
Scott Street at Haight Street



Proposed 9'
Bike Corral

Proposed 19'
red zone



Scott Street, east side, from Haight Street to 19' southerly

TASC Packet – Bike Corral
Scott Street at Haight Street



Proposed 19'
red zone

Proposed 9'
Bike Corral

Haight Street

Scott Street





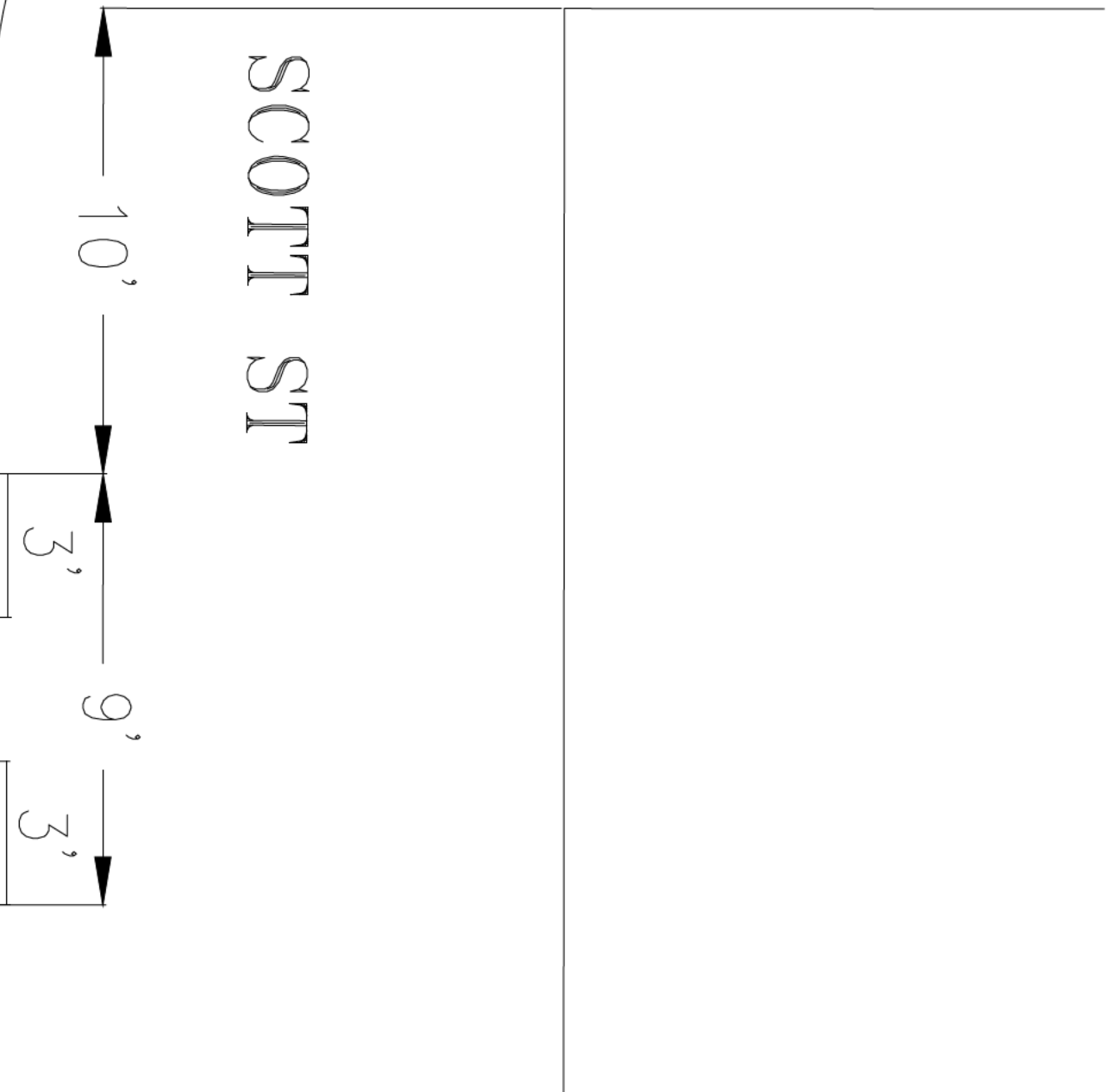
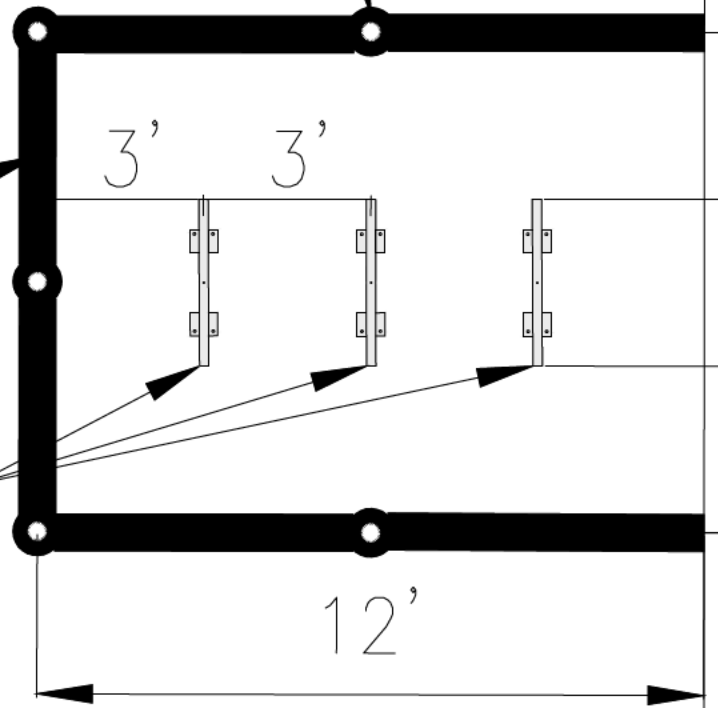
HAIGHT ST



WHITE
DELINEATOR

8" SW

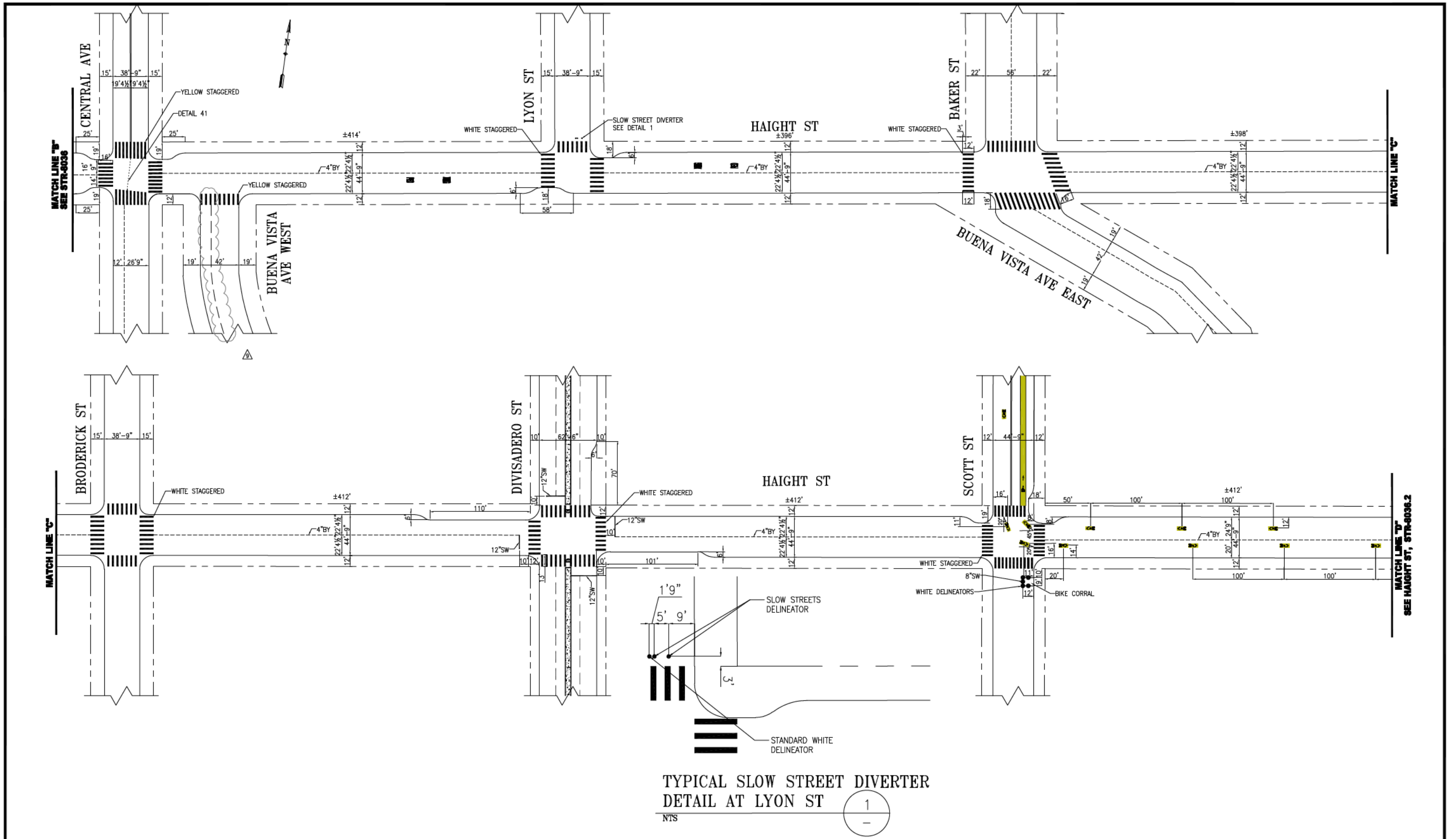
3 RACKS
@ 3' O.C.



SFMTA



		APPROVED		SCALE:			CONTRACT NO.
DRAWN:	DATE:	SENIOR ENGINEER	DATE:				DRAWING NO.
CHECKED:	DATE:	CITY TRAFFIC ENGINEER	DATE:	SHEET/SHEETS:			FILE NO.
							REV. NO.



TYPICAL SLOW STREET DIVERTER
DETAIL AT LYON ST

1
-

NTS

NO.	DATE	DESCRIPTION	BY	APP
MM/DD/YY	ADDED CENTERLINE ON BUENA VISTA AVE WEST	J.TOM	A.LAM	
07/23/21	ADD SLOW STREET DELINEATORS ON LYON; PER FIELD: X-WALK DIMS @ CENTRAL	E.ROBINSON	M. SALLABERRY	
03/02/22	BAKER & DIVISADERO; YELLOW STAG. X-WALK @ BUENA VISTA AVE WEST	K.KWONG	M.VELASCO	
03/07/22	REMOVED STOP AHEAD BETWEEN DIVISADERO & SCOTT WITH NEW SIGNAL @ HGT/SCOTT	S.SHARIATI	P.STANIS	
10/23/19	PER FIELD: UPDATED ADVANCED LIMIT LINES @ DIVISADERO	S.SHARIATI	M.GROWNEY	
	ADDED ADVANCED LIMIT LINES @ DIVISADERO	S.SHARIATI	M.GROWNEY	

TABLE OF REVISIONS
CHECK WITH TRACING TO SEE IF YOU HAVE LATEST REVISION



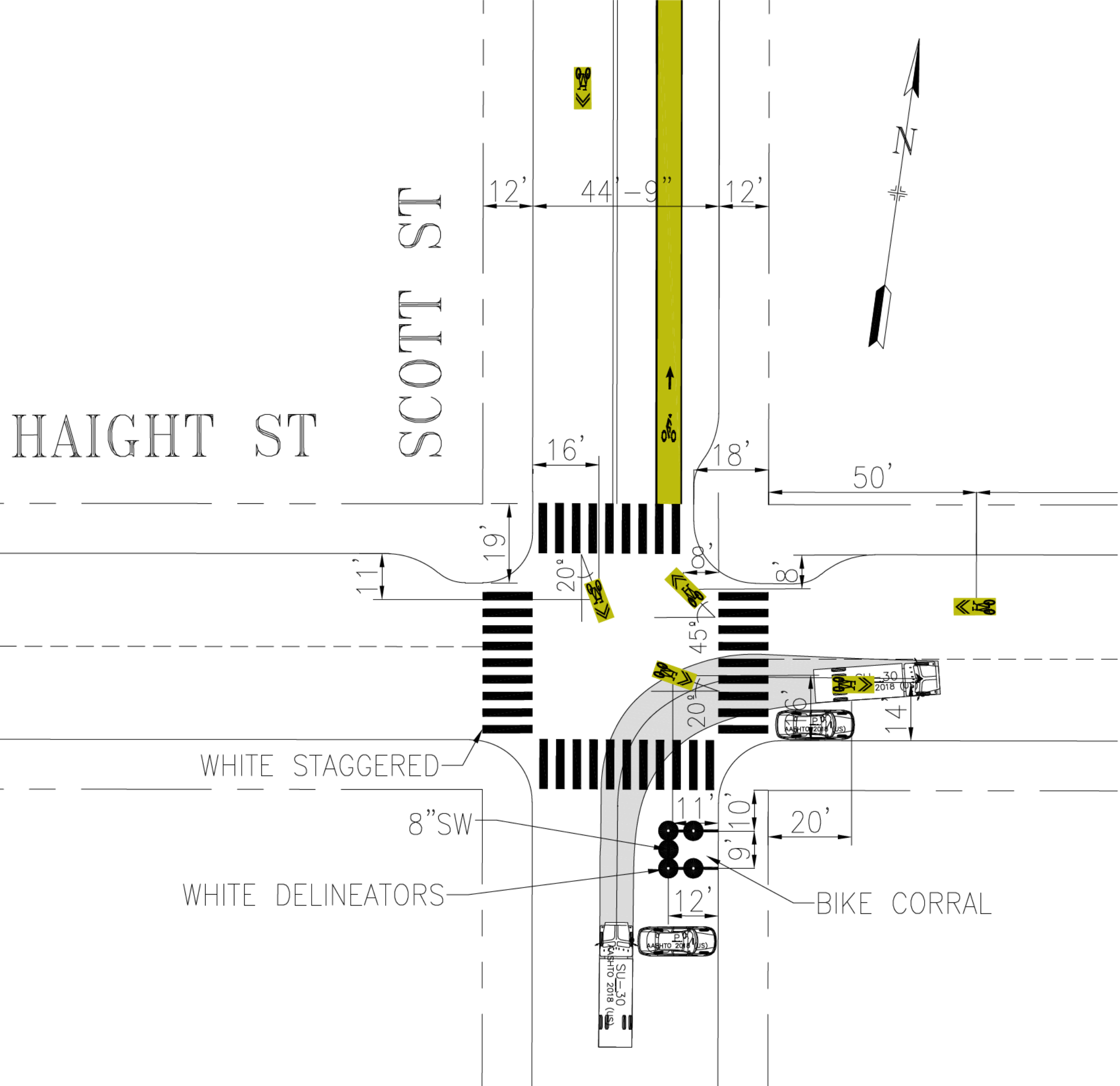
SUPERSEDES: STR-2324 REV14	APPROVED	SCALE:
SUPERSEDES: STR-2324.1 REV2	BRIAN B DUSSEAULT 02/03/2015	1" = 50'
SUPERSEDES: STR-6787	DATE:	
DRAWN: D.PADILLA	01/14	SENIOR ENGINEER
CHECKED: A.WONG	01/14	DATE:
		RICARDO OLGA 02/03/2015
		CITY TRAFFIC ENGINEER

SHEET/SHEETS:	2 OF 4
---------------	--------

TRAFFIC STRIPING
HAIGHT STREET
CENTRAL AVE TO PIERCE STREET

CONTRACT NO.	
DRAWING NO.	STR-8036.1
FILE NO.	
REV. NO.	9

FILE NAME:
DATE:



ON-STREET BICYCLE PARKING CORRAL APPLICATION



PLEASE INCLUDE PICTURES OF EXISTING BIKE PARKING DEMAND WITH THIS APPLICATION

Address of Sponsor(s)*	620 HAIGHT ST
Name of Sponsor(s)	LOWER HAIGHT MERCHANT & NEIGHBORS ASSOC
Contact Person	[REDACTED]
Phone & Email	[REDACTED]
Property/Building Owner	PAS NORMAL 1799 HAIGHT - [REDACTED]
Phone & Email	[REDACTED]
Description of bike parking demand (# of bikes) and peak time periods	4-6

*Sponsor is the agency, building, business, or organization requesting the bicycle corral.

IMPORTANT: By signing this application, the sponsor(s) of the proposed corral agree(s) to regular sweeping/debris removal of the facility as well as the adjacent 20 feet of curb on both sides. Application is hereby made to the SFMTA Livable Streets Subdivision to install an on-street bicycle parking corral at the address(es) listed above.

Sponsor Signature 1	[REDACTED]
Print Name & Date	[REDACTED] 8/6/24
Sponsor Signature 2	
Print Name & Date	

Return completed application via Email, Mail, or Fax (email preferred):

Email:	bikeparking@sfmta.com
Mail:	SFMTA Livable Streets, Bicycle Parking One South Van Ness Ave, Floor Seven San Francisco, CA 94103
Fax:	415-646-2330