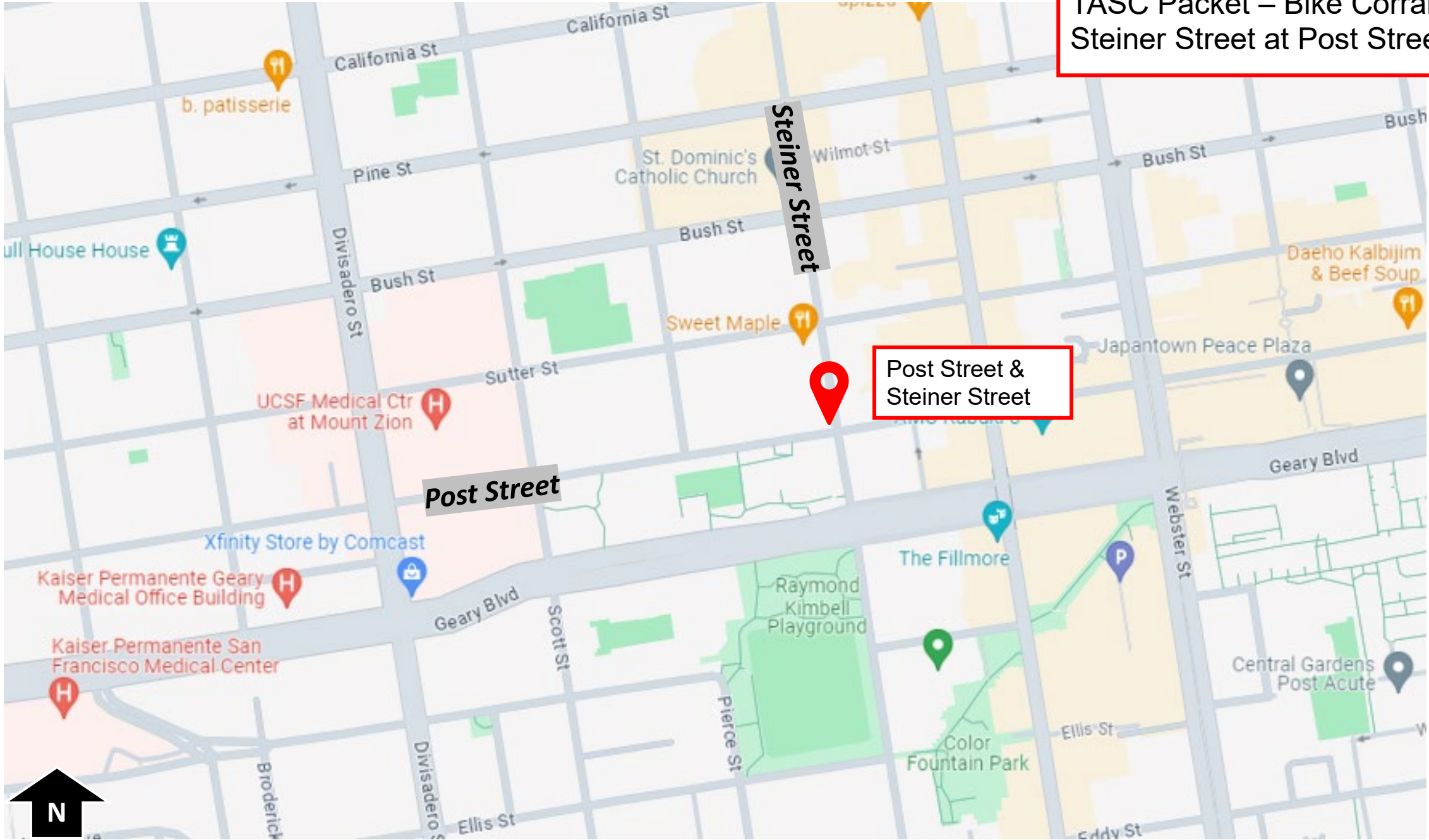


SFMTA - TASC SUMMARY SHEET

<p>PreStaff_Date: 4/16/2024</p> <p>Requested_by: SFMTA</p> <p>Handled: Grant Brokl <i>LS</i></p> <p>Section Head : M Sallaberry <i>MS</i></p>	<p><input type="checkbox"/> Public Hearing Consent</p> <p><input checked="" type="checkbox"/> Public Hearing Regular</p> <p><input type="checkbox"/> Informational / Other <small>PH - Regular</small></p>	<p>No objections: _____</p> <p>Item Held: _____</p> <p>Other: _____</p>
<p>Location: Steiner Street at Post Street</p>		
<p>Subject: On-Street Bicycle Parking</p>		
<p>PROPOSAL / REQUEST: ESTABLISH – NO PARKING ANYTIME EXCEPT BICYCLES</p> <p>Steiner Street, west side, from 10 feet to 20 feet north of Post Street.</p> <p>(Supervisor District 5)</p> <p>This proposal would establish an on-street bicycle corral in an existing red zone at the intersection of Steiner Street and Post Street.</p> <p>Grant Brokl, grant.brokl@sfmta.com</p>		
<p>BACKGROUND INFORMATION / COMMENTS</p> <p>This proposal establishes a bike corral on the west side of Steiner Street in an existing daylighting (red curb) zone. SFMTA staff determined a bicycle corral is appropriate at this location. This proposal does not remove existing parking.</p>		
<p>HEARING NOTIFICATION AND PROCESSING NOTES:</p>	<p>ENVIRONMENTAL CLEARANCE BY:</p> <p><input checked="" type="checkbox"/> SFMTA <input type="checkbox"/> Attached <input type="checkbox"/> Pending</p>	
<p>CHECK IF PREPARING SEPARATE SFMTA BOARD CALENDAR ITEM FOR PROPOSAL: <input type="checkbox"/></p>		

TASC Packet – Bike Corral
Steiner Street at Post Street



Post Street & Steiner Street

Post Street

Steiner Street



TASC Packet – Bike Corral
Steiner Street at Post Street



Steiner Street

Existing Red Zone

Proposed 10' Bike Corral

Post Street

Post Street



Lashwork Studio

Jones Memorial United Methodist

Post Street, south side, from 10 feet to 20 feet north of Post Street

TASC Packet – Bike Corral
Steiner Street at Post Street



Proposed 10'
Bike Corral

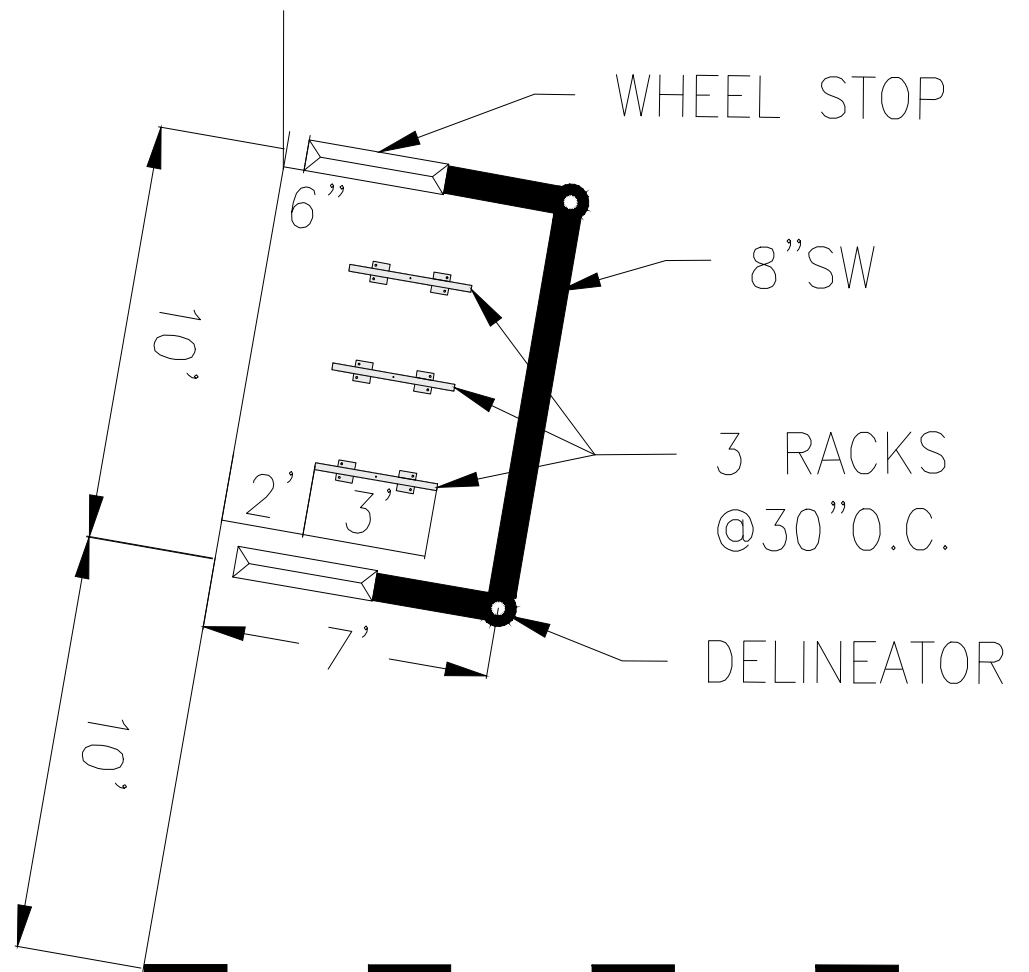
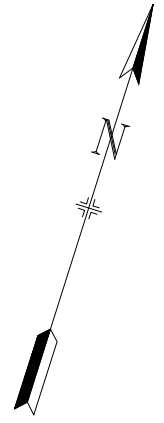
Existing Red Zone

10'

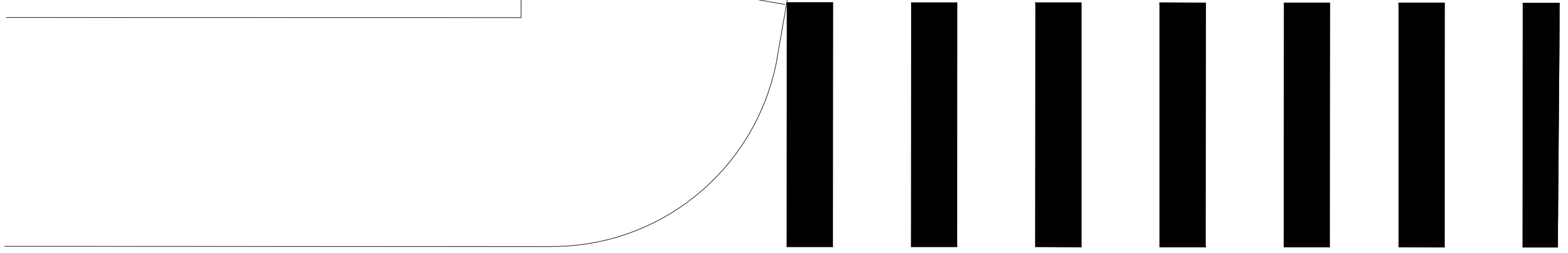


Post Street

Steiner Street



STEINER ST



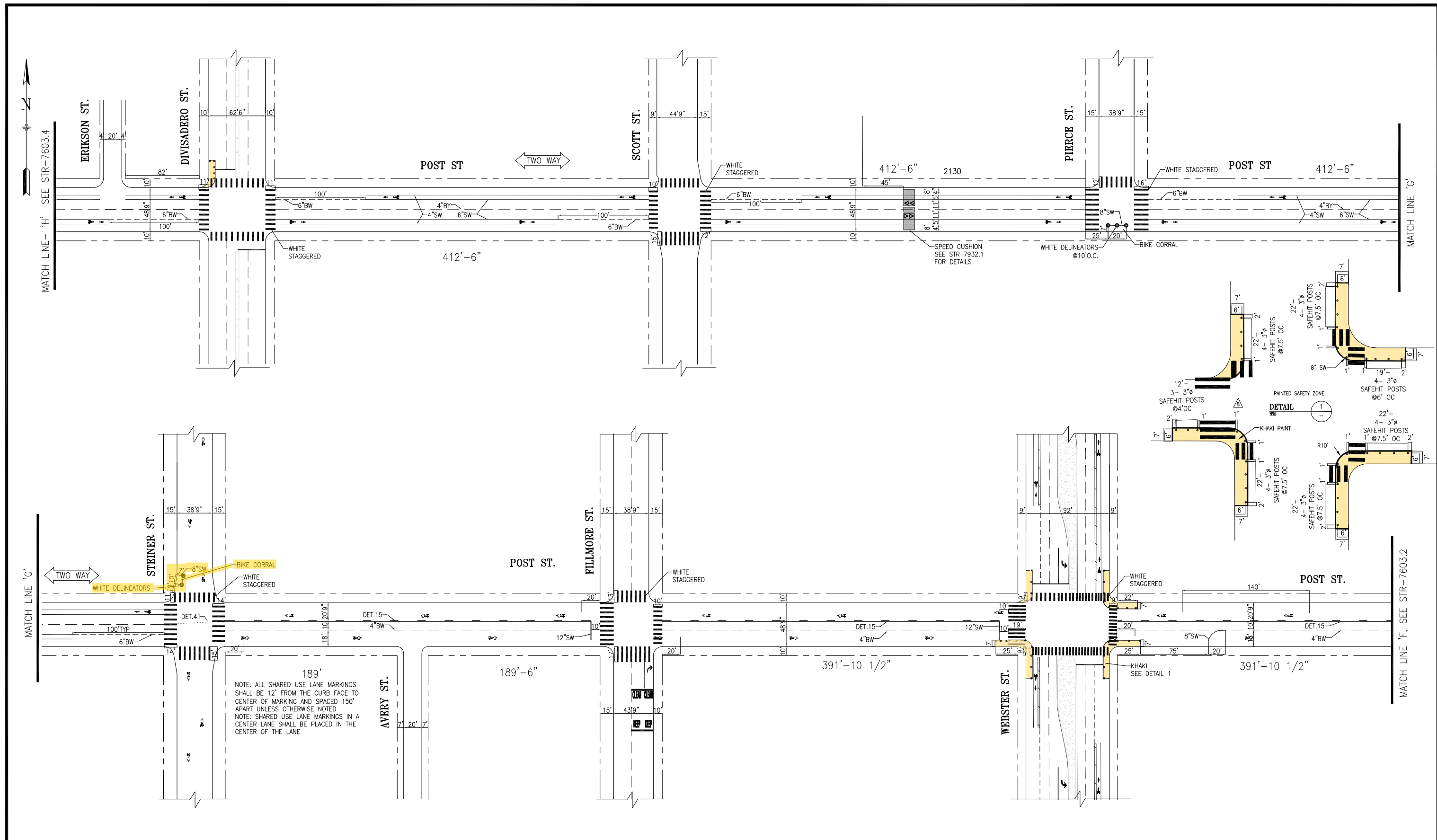
POST ST



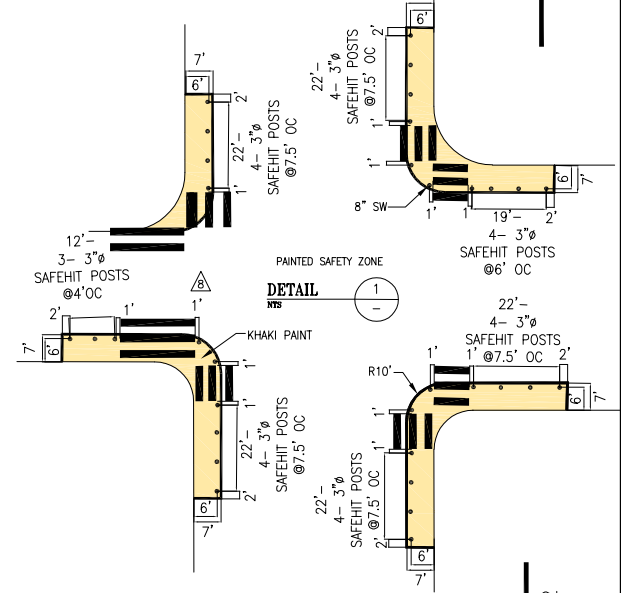
SFMTA



DRAWN:	DATE:	APPROVED	SCALE:	CONTRACT NO.		
		SENIOR ENGINEER			DATE:	DRAWING NO.
CHECKED:	DATE:	CITY TRAFFIC ENGINEER	DATE:		FILE NO.	
		SHEET/SHEETS:			REV. NO.	



NOTE: ALL SHARED USE LANE MARKINGS SHALL BE 12' FROM THE CURB FACE TO CENTER OF MARKING AND SPACED 150' APART UNLESS OTHERWISE NOTED
 NOTE: SHARED USE LANE MARKINGS IN A CENTER LANE SHALL BE PLACED IN THE CENTER OF THE LANE



NO.	DATE	DESCRIPTION	BY	APP
1	MM/DD/YY	SPEED CUSHION BETWEEN SCOTT ST AND PIERCE ST; ALL AND PSZ ON DIVISADERO, STRIPING ON WEBSTER ST PER FIELD	D.CARR	P.STANIS
2	07/14/20	WHITE STAGG CONTIS @SCOTT AND FILLMORE; LIMIT LINE @FILLMORE ST	W.LEE	G.HO
3	11/18	WHITE STAGGERED CONTIS @STEINER; PER FIELD; WALK DIMS @DIVISADERO, SCOTT, PIERCE, FILLMORE; PER FIELD; 8"SW 100' EAST OF WEBSTER, SHARROWS ON STEINER	J.CHIMENTO	M.GROWNEY
4	10/31/16	WIDEN WEST XWALK AT WEBSTER AND ADJUST PSZ	Dyeung	GDLeon

TABLE OF REVISIONS
 CHECK WITH TRACING TO SEE IF YOU HAVE LATEST REVISION



FOR ORIGINAL SIGNATURES, SEE STR-1615.3 & STR-1615.2 SUPERCEDES STR-7562	APPROVED THOMAS P. FOLKS 03/22/02 SENIOR ENGINEER	SCALE: 1"=50'
DRAWN: T.ABDALLAH 03/20/02	DATE: 03/20/02	SHEET/SHEETS: 4 of 5
CHECKED: KWING LIT WOO 03/20/02	DATE: 03/20/02	CITY TRAFFIC ENGINEER

CONTRACT NO.	STR-7603.3
DRAWING NO.	STR-7603.3
FILE NO.	
REV. NO.	11

TRAFFIC STRIPING
 POST STREET
 FROM LAGUNA STREET TO DIVISADERO STREET

EXTERNAL REFERENCES: XREFS
 FONTS USED: FONTS
 SCALE FACTOR: XX
 PLOT SCALE: XX
 FILE NAME: C:\Users\pstanis\Documents\STR-7603.3 (Loguna St to Divisadero St)
 DATE: 03/22/02