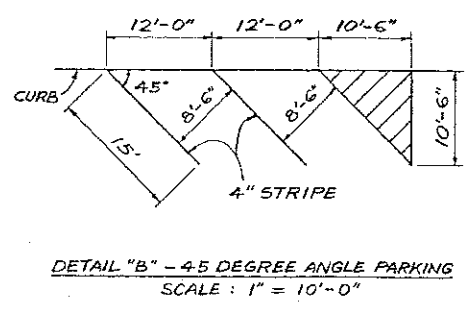
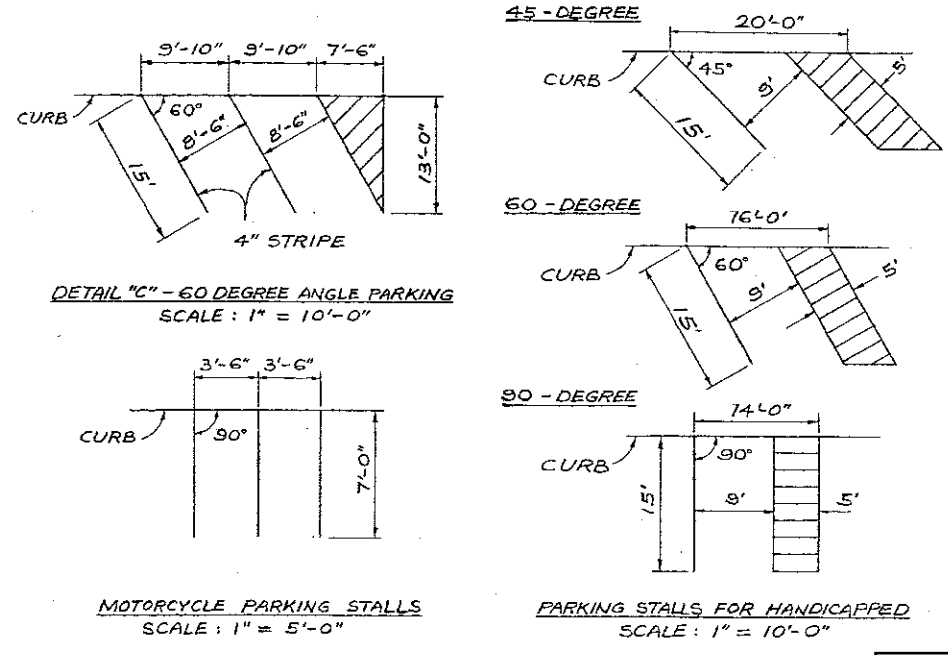
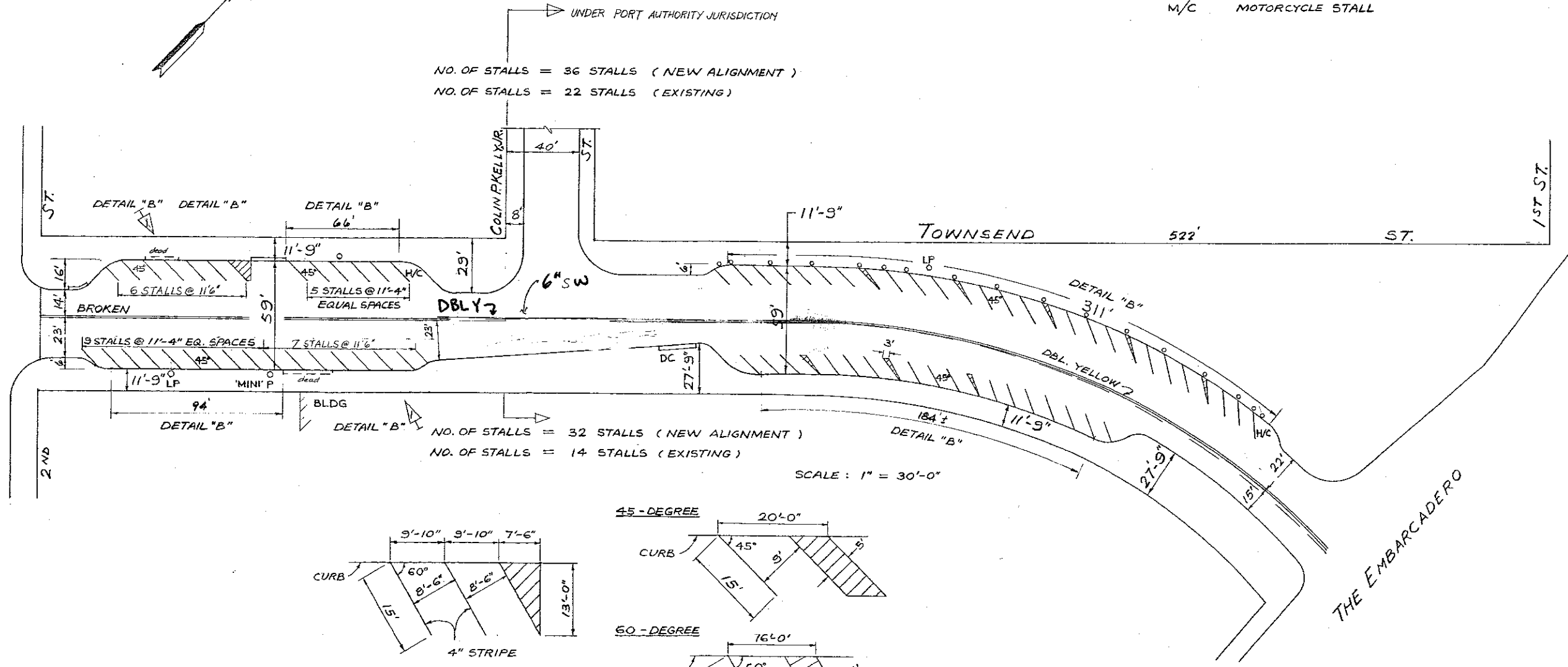


**LEGEND :**

- == == == EXISTING DBL. YELLOW TO BE REMOVED
- - - - EXISTING BROKEN WHITE TO BE REMOVED
- ==== EXISTING STRIPING TO REMAIN OR NEW STRIPING
- H/C HANDICAP STALL
- M/C MOTORCYCLE STALL



**PROJECT 2-16 EXISTING**

**TOWNSEND STREET**  
**8TH STREET TO THE EMBARCADERO**

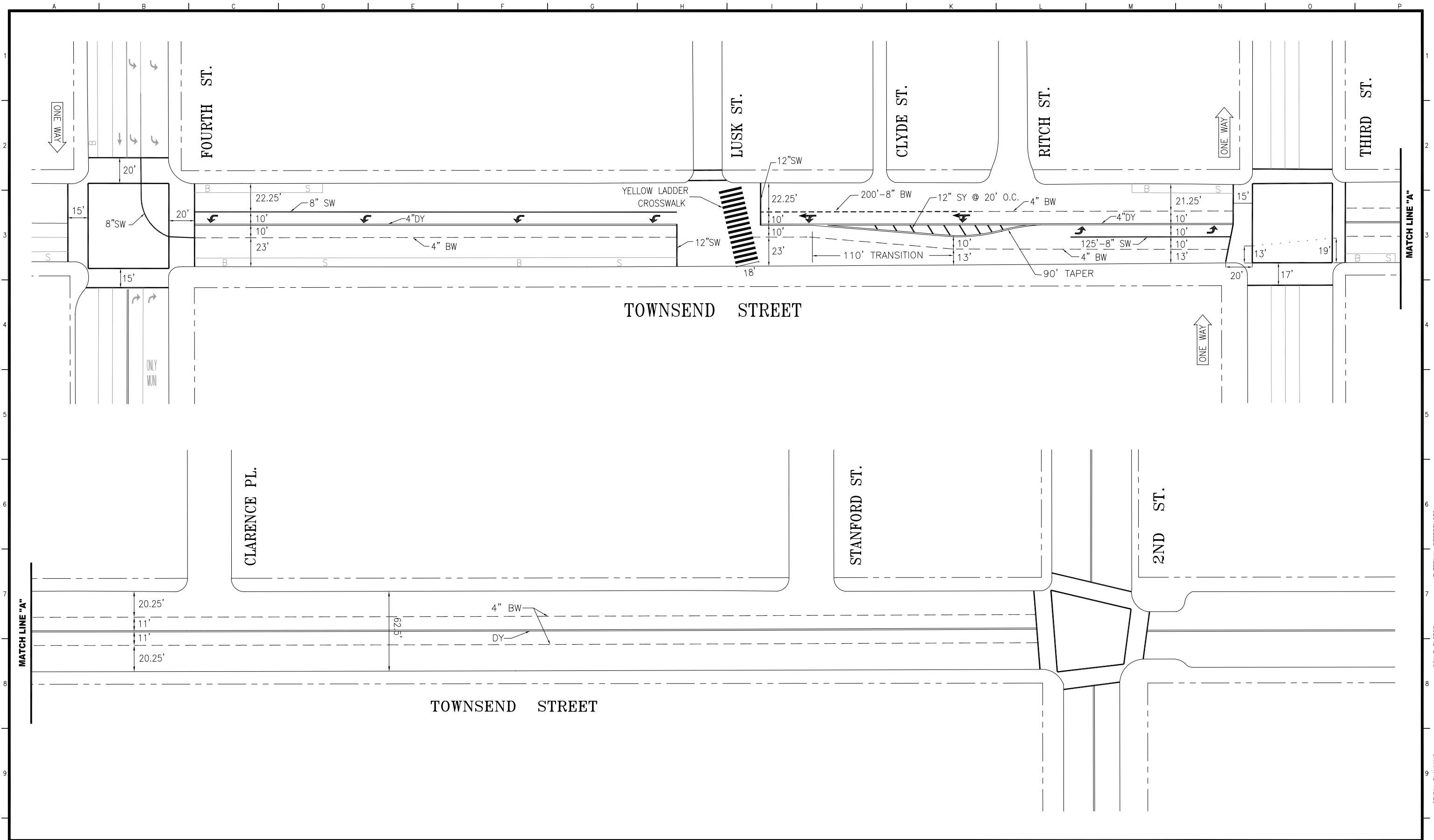


TABLE OF REVISIONS			
NO.	DATE	DESCRIPTION	BY

CHECK WITH TRACING TO SEE IF YOU HAVE LATEST REVISION

REFERENCE INFORMATION  
& FILE NO. OF SURVEYS

SUPERCEDES  
STR-XXXX XX X  
STR-XXXX XX X  
STR-XXXX XX X



**DEPARTMENT OF PARKING AND TRAFFIC**  
**DIVISION OF TRAFFIC ENGINEERING**  
**CITY AND COUNTY OF SAN FRANCISCO**

DESIGNED: DATE: \_\_\_\_\_  
 DRAWN: DATE: \_\_\_\_\_  
 D.X.W  
 CHECKED: DATE: \_\_\_\_\_

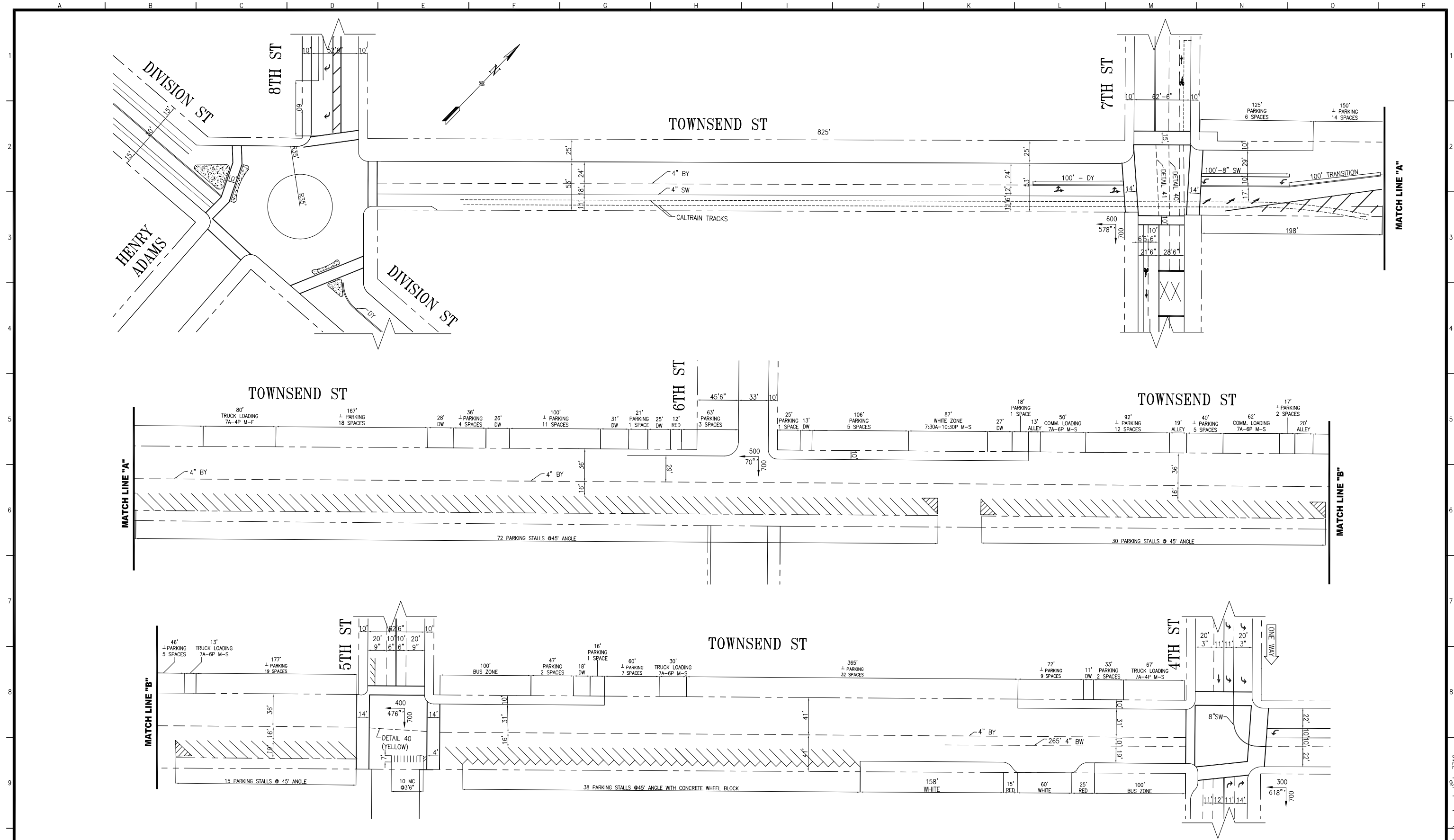
APPROVED  
 SECTION ENGINEER DATE: \_\_\_\_\_  
 CITY TRAFFIC ENGINEER DATE: \_\_\_\_\_

SCALE:  
 1"=70'  
 SHEET OF SHEETS  
 2 OF 3

**PROJECT 2-16 EXISTING**  
**TOWNSEND STREET**  
**8TH STREET TO THE EMBARCADERO**

CONTRACT NO.  
 DRAWING NO.  
 FILE NO.  
 REV. NO.  
 0

EXTERNAL REFERENCES:  
 FONTS USED:  
 SCALE FACTOR:  
 PLOT SCALE:  
 ORIGIN: PLANNING  
 FILE NAME:  
 DATE:

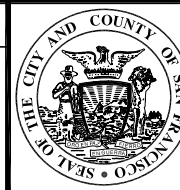


NO.	DATE	DESCRIPTION	BY	APP.
1	03/30/07	CHANGED DIMENSIONS/SIDEWALK/STRIPING, PER FIELD CHECK	DXW	
2	11/16/08	ADDED LEFT/RIGHT TURN POCKETS AND INTERSECTION DETAILS	TA	TF

TABLE OF REVISIONS  
CHECK WITH TRACING TO SEE IF YOU HAVE LATEST REVISION

REFERENCE INFORMATION & FILE NO. OF SURVEYS

SUPERCEDES STR-2521 REV 25



**DEPARTMENT OF PARKING AND TRAFFIC**

**DIVISION OF TRAFFIC ENGINEERING**

**CITY AND COUNTY OF SAN FRANCISCO**

DESIGNED: DATE: \_\_\_\_\_

DRAWN: DATE: 9/06

CHECKED: DATE: 9/06

R.O

APPROVED

**THOMAS P. FOLKS** 2006  
SECTION ENGINEER

**JACK L. FLECK** 2006  
DEP. DIRECTOR AND CITY TRAFFIC ENGINEER

SCALE: 1"=50'

SHEET OF SHEETS: 3 OF 3

**PROJECT 2-16 EXISTING**

**TOWNSEND STREET**

**8TH STREET TO THE EMBARCADERO**

CONTRACT NO. \_\_\_\_\_

DRAWING NO. STR-7716

FILE NO. \_\_\_\_\_

REV. NO. 2

EXTERNAL REFERENCES: FONTS USED: \_\_\_\_\_

SCALE FACTOR: PLOT SCALE: \_\_\_\_\_

FILE NAME: T:\\_e\_files\off\_rec\dwgs\un\ref\5\ref\7716

ORIGIN: OPERATIONS

DATE: \_\_\_\_\_