

## SFMTA - TASC SUMMARY SHEET

<b>PreStaff_Date:</b> 3/16/2021 <b>Requested_by:</b> SFMTA <b>Handled:</b> Hester Yu <i>KK</i> <b>Section Head :</b> CL <i>BT</i> for CL	<input type="checkbox"/> <b>Public Hearing Consent</b> <input checked="" type="checkbox"/> <b>Public Hearing Regular</b> <input type="checkbox"/> <b>Informational / Other</b> <small>PH - Regular</small>	<b>No objections:</b> _____ <b>Item Held:</b> _____ <b>Other:</b> _____
---	---	---

**Location:** Northridge Road at Harbor Road

**Subject:** Tow-Away, No Stopping Anytime

**PROPOSAL / REQUEST:**

ESTABLISH – TOW-AWAY NO STOPPING ANYTIME  
 Northridge Road, south side, from Harbor Road west property line to 95 feet easterly (in between the perpendicular parking bays on Northridge Road at Harbor Road)

Proposal to add Tow-Away No Stopping Anytime to improve Muni operations and safety.

(Supervisor District 10)

Hester Yu, hester.yu@sfmta.com

**BACKGROUND INFORMATION / COMMENTS**

Northridge Road is two-way with parking on both sides of the street. On the south side, there are also bays that allow for perpendicular parking. On Northridge Road at Harbor Road, there is a traffic calming island. There are often cars parked along the island and in the transition area which make it difficult for Muni operators to navigate around this intersection.

15 Bayview Hunters Point Express  
 - 40' MC  
 - 10 min weekday frequency, 20 min weekend frequency

54 Felton  
 - 40' MC  
 - 20 min weekday frequency, 20 min weekend frequency

Collision History (past 5 years)  
 - 0 traffic collisions  
 - 1 transit collision

<b>HEARING NOTIFICATION AND PROCESSING NOTES:</b>	<b>ENVIRONMENTAL CLEARANCE BY:</b> <input checked="" type="checkbox"/> SFMTA <input type="checkbox"/> Attached <input type="checkbox"/> Pending
---	--



AERIAL (EXISTING)







Northridge Rd at Harbor Rd, looking east

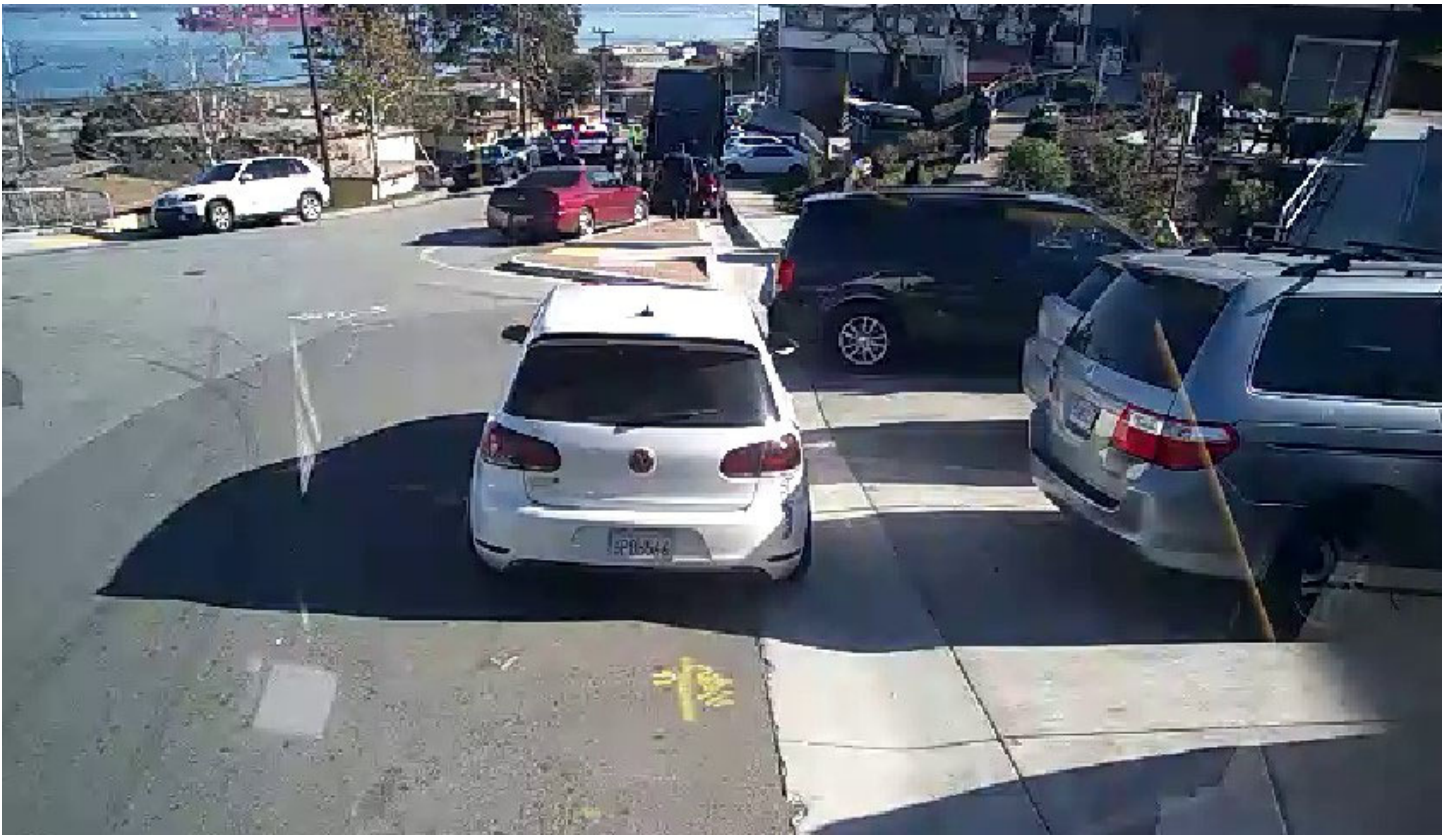


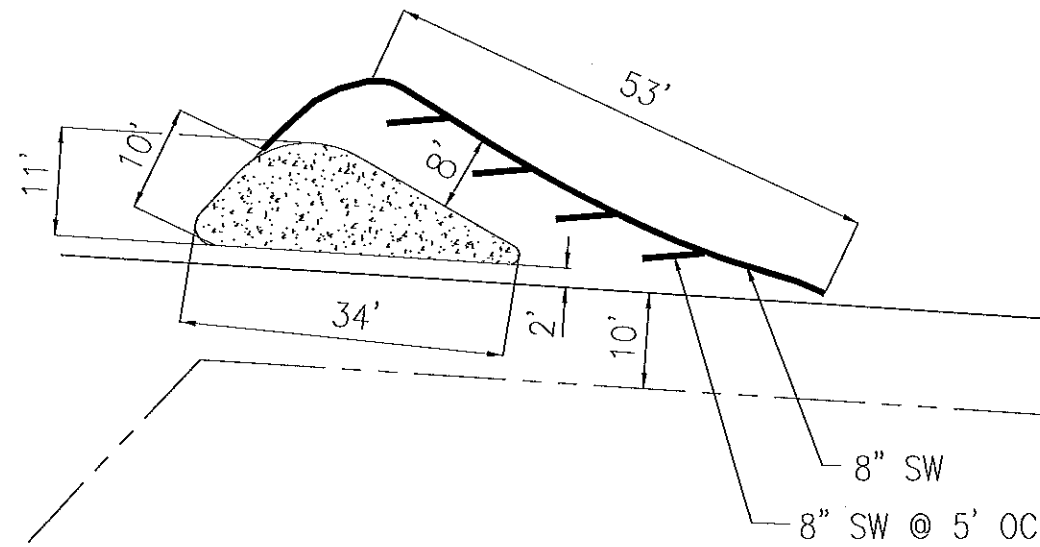
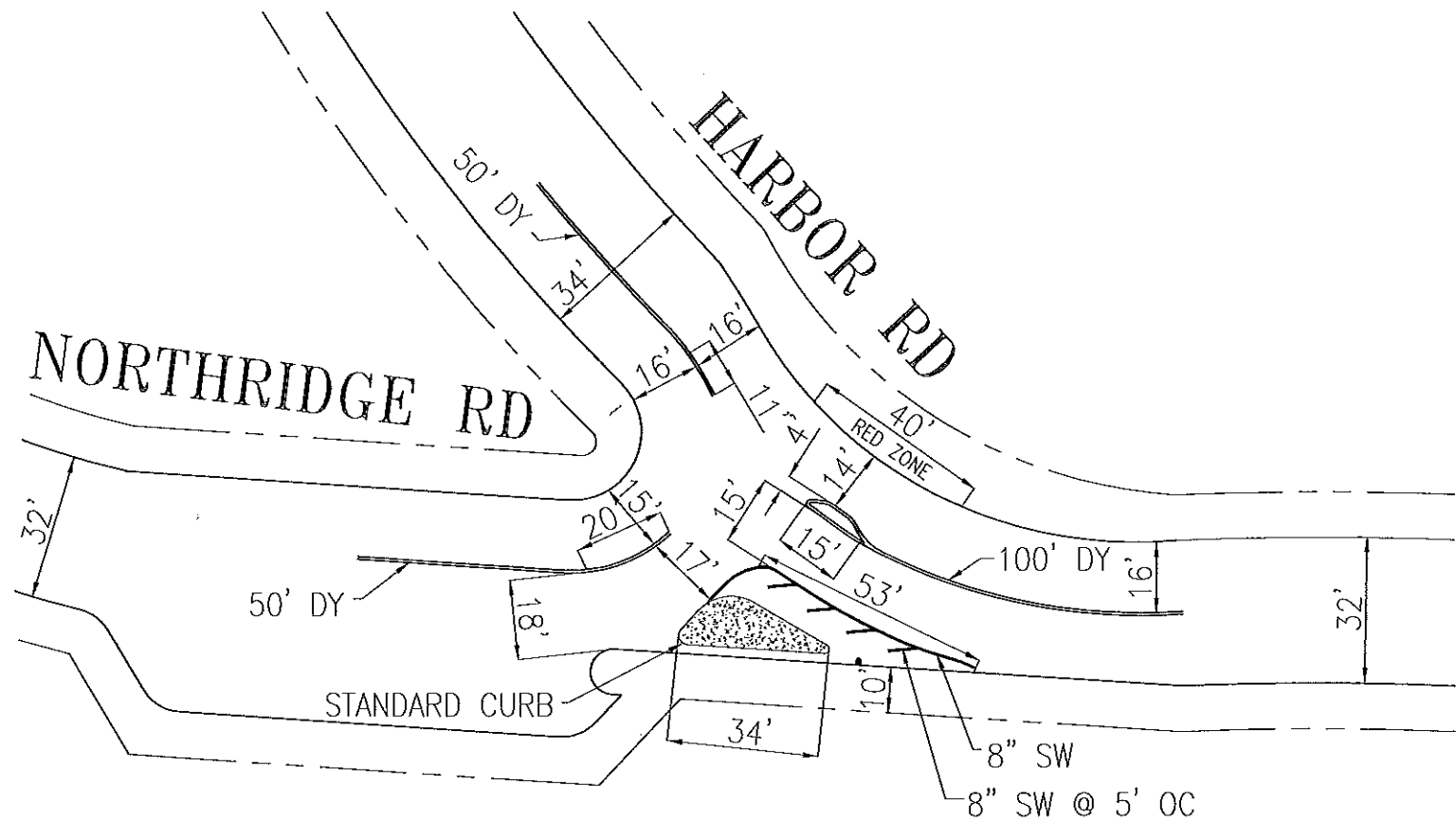
Northridge Rd at Harbor Rd, looking west





Examples of Northridge/Harbor parking





ENLARGED DETAIL - CONCRETE ISLAND  
NOT TO SCALE

NO.	DATE	DESCRIPTION	BY	APP.
1	5/24/05	ADDED CONCRETE ISLAND AND STRIPING	AG	MV

TABLE OF REVISIONS  
CHECK WITH TRACING TO SEE IF YOU HAVE LATEST REVISION

REFERENCE INFORMATION  
& FILE NO. OF SURVEYS

SUPERCEDES  
STR-XXXX XX X  
STR-XXXX XX X  
STR-XXXX XX X



**DEPARTMENT OF PARKING AND TRAFFIC**  
DIVISION OF TRAFFIC ENGINEERING  
CITY AND COUNTY OF SAN FRANCISCO

DESIGNED: DATE: A.G. 02/05  
DRAWN: DATE: A.G. 02/05  
CHECKED: DATE: M.V. 03/05

APPROVED  
SECTION ENGINEER  
DEP. DIRECTOR AND  
CITY TRAFFIC ENGINEER

SCALE:  
1"=20'  
SHEET OF SHEETS

TRAFFIC STRIPING  
NORTHRIDGE ROAD AT HARBOR ROAD

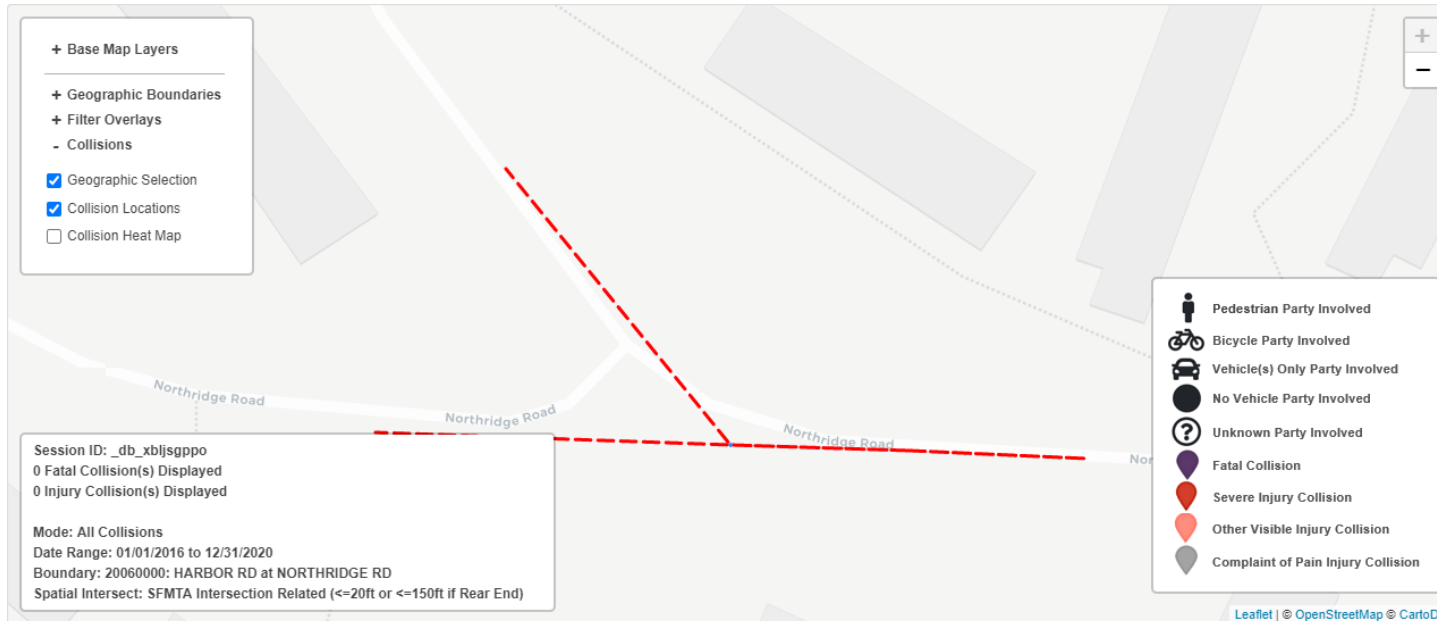
CONTRACT NO.  
DRAWING NO. STR-7748  
FILE NO.  
REV. NO. 0

EXTERNAL REFERENCES:  
FONTS USED:  
SCALE FACTOR:  
PLOT SCALE:  
ORIGIN: OPERATIONS  
FILE NAME: T:\e\off\_rec\vegpa\XXXX  
DATE:

# TransBASE Internal Dashboard

Geographic Extent: 20060000: HARBOR RD at NORTHRIDGE RD  
Spatial Intersect: SFMTA Intersection Related (<=20ft or <=150ft if Rear End)  
Data Range: 01/01/2016 to 12/31/2020  
Pull Date: 3/11/2021

## Geographic Extent



## Collision History (past 5 years)

- 0 traffic collisions
- 1 transit collision



# TransBASE Internal Dashboard

Geographic Extent: 20060000: HARBOR RD at NORTHRIDGE RD  
Spatial Intersect: SFMTA Intersection Related (<=20ft or <=150ft if Rear End)  
Data Range: 01/01/2016 to 12/31/2020  
Pull Date: 3/11/2021

## Collision/Party/Victim Table Showing 0 to 0 of 0 entries

Count of Fatal Collisions: 0  
Count of Non-Fatal Injury Collisions: 0  
Total Count of Fatal/Non-Fatal Injury Collisions: 0

Case ID	Collision Date	Collision Time	Day of Week	Primary Road	Secondary Road	Distance	Direction	Party 1 Type	Party 1 Direction of Travel	Party 1 Movement Preceding Crash	Party 2 Type	Party 2 Direction of Travel	Party 2 Movement Preceding Crash	Vehicle Code Violation	Highest Degree of Injury	Type of Collision	Motor Vehicle Involved With	Weather	Lighting
None																			

# TransBASE Internal Dashboard

*Geographic Extent: 20060000: HARBOR RD at NORTHRIDGE RD*  
*Spatial Intersect: SFMTA Intersection Related (<=20ft or <=150ft if Rear End)*  
*Data Range: 01/01/2016 to 12/31/2020*  
*Pull Date: 3/11/2021*

## Metadata Information

### Collision Filters

Database Source: TransBASESF.org  
Database Pull Date: 3/11/2021  
Collision Level: Injury Collisions  
Boundary: 20060000: HARBOR RD at NORTHRIDGE RD  
Collision Dates: 01/01/2016 to 12/31/2020  
Collision Month Filter(s): No Restrictions  
Collision Distance: Any Distance  
Collision Severity Filter(s): No Restrictions  
Primary Collision Factor Filter(s): No Restrictions  
Collision Type Filter(s): No Restrictions  
Intersection/ Midblock: SFMTA Intersection Related (<=20ft or <=150ft if Rear End)

### Party Filters

Party Involved Type: No Restrictions  
Party Involved Gender: No Restrictions  
Party Involved at Fault: No Restrictions  
Party Involved Age: No Restriction  
Party Involved Sobriety: No Restrictions  
Party Involved Condition: No Restrictions  
Party Involved Direction of Travel: No Restrictions  
Party Involved Safety Equipment 1: No Restrictions  
Party Involved Safety Equipment 2: No Restrictions  
Party Involved Insurance: No Restrictions  
Party Involved Other Associated Factors : No Restrictions  
Party Involved Movement Preceding Collision: No Restrictions  
Party Involved Vehicle Type: No Restrictions  
Party Involved Race: No Restrictions  
Party Involved Special Info: No Restrictions

### Victim Filters

Victim Involved Role: No Restrictions  
Victim Involved Degree of Injury: No Restrictions  
Victim Involved Age: No Restriction  
Victim Involved Seating Position: No Restrictions  
Victim Involved Safety Equipment: No Restrictions  
Victim Involved Ejected: No Restrictions

### Environmental Filters

Nearest Traffic Control: No Restriction  
Intersecting Speed Limit: No Restriction  
Intersecting Network: No Restriction  
Intersecting Street Class: No Restriction  
Weather Description: No Restrictions  
Lighting Description: No Restrictions