



Area 1 – Tall overgrown trees that needs pruning.



Area 3 Muni Overhead wires



Area 4 - Multiple agencies streetlight pole. PG&E/MUNI/PUC

DESCRIPTION

FIXTURE HEAD

- Historic style luminaire
- Standard cast finial
- Prismatic borosilicate glass refractor
- Type II, III or V distribution as required
- Decorative band trim
- Modern fluted swing open housing for ballast
- Modular ballast tray
- UL listed for wet location
- Nominal 15.25" Dia. x 39.25" H

POLE

- Round fluted tapered
- Hot-dipped galvanized steel coating, 11 GA steel
- Optional GFIC electrical outlet near top of pole with NEC compliant in-use wet location receptacle cover
- 3" dia. tenon at top
- Nominal 16' H x 7.17" dia. at base to 4.93" at top

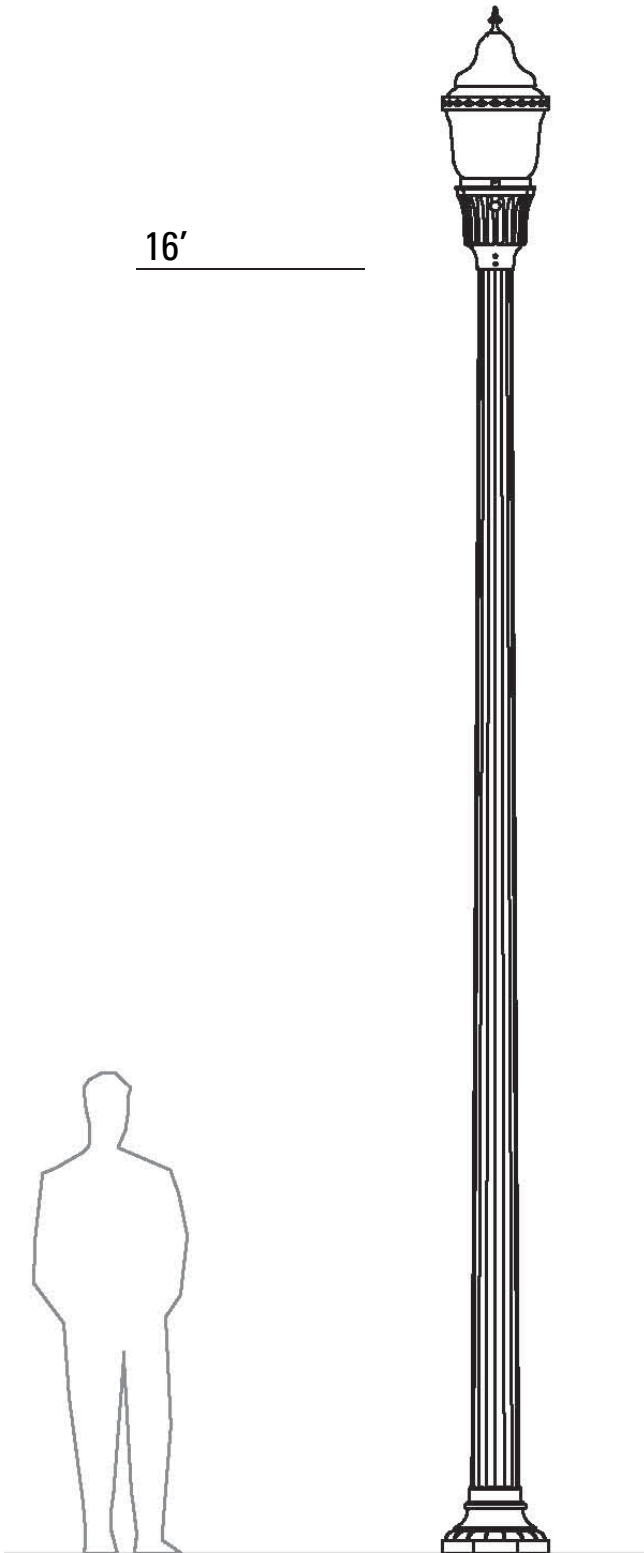
POLE BASE

- Slotted bolt holes to fit 11-11.5" dia. bolt circle
- 1" dia. x 36" bolts provided
- Two piece cast aluminum octagonal base cover

FINISH:

- Powder coat finish - Black

An existing installation of this style of fixture can be found on the Embarcadero at Mission Street.



FIXTURE HEAD MANUFACTURER

Holophane

Utility GranVille Premier Series

GVPU-Lunar-Lamp option*-12-M-B-Distribution option*-B-S-B

Band finish to match housing-Mod. wireless control system-House side shield option*-Voltage per EE

*Options:

1. Lamp: 70W HPS = cat# 70H, 100W HPS = cat# 10H, 150W HPS = cat# 15H
2. Distribution: Type II = cat# 6, Type III = cat# 7, Type V = cat# 5
3. House side shield = cat# GVPHOUSE 90° or cat# GVPHOUSE 120°

POLE & BASE COVER MANUFACTURER

Union Metal

Nostalgia Series Denver

Drawing # N1122-68-B60-GFIC option*-Black

*Options:

1. GFIC electrical outlet near top of pole with NEC compliant in-use wet location receptacle cover = cat# Y2, No GFIC = cat# Y1

CONTROLS

- Integral control device to be compatible with City asset management wireless control system.
- A control signal receiving device with requisite antennae is to be included in the fixture head and is to be coordinated with location on fixture reserved for twist-lock photocell receptacle.

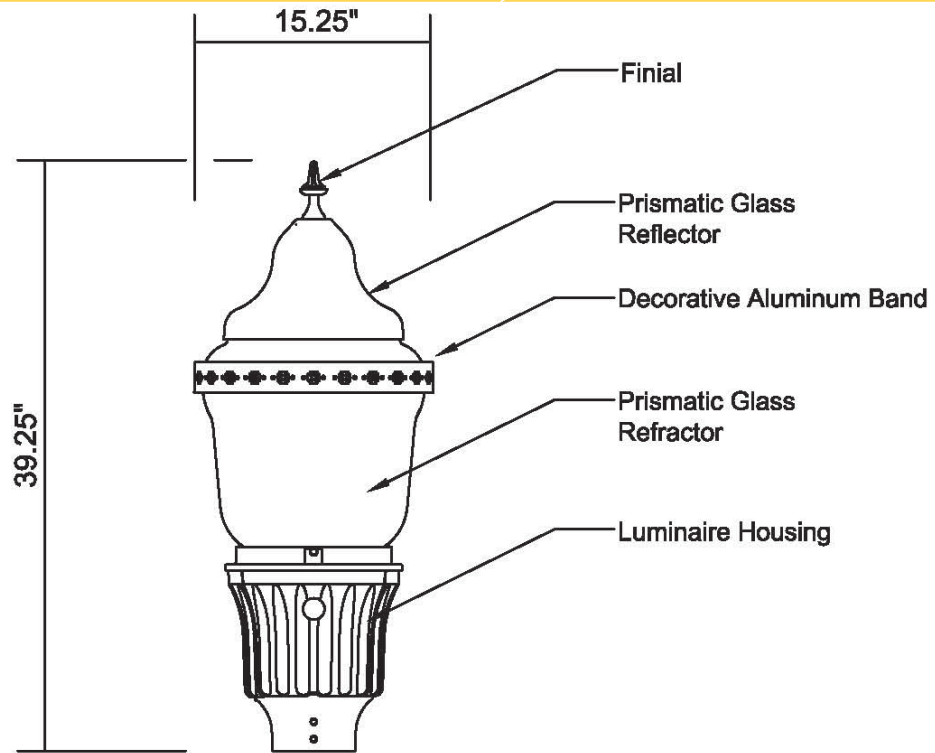
LAMP

(1) High pressure sodium lamp

- 70W, 100W or 150W as required
- Mogul Base
- 2000K
- 70W=LU70/SBY/XL; 100W=LU100/SBY/XL; 150W=LU150/55/SBY/XL
- By GE

VOLTAGE

120V or 240V per Electrical Engineer



Specifications

GENERAL DESCRIPTION

The GranVille Premier is designed for ease of maintenance with the plug-in electrical module common to each of the luminaires in Holophane's Utility Luminaire Series. This unit also utilizes a latched, swing open door to allow relamping through the housing without the need to remove the glass assembly. The traditional acorn shaped luminaire, while reminiscent of the 1920's, contains a precision optical system that maximizes post spacings while maintaining uniform illumination.

OPTICAL SYSTEM

The optical system consists of a precisely molded three-piece thermal resistant borosilicate glass refractor and top reflector mounted within decorative aluminum ribs and banding. The glass top reflector redirects over 50% of the upward light into the controlling refractor while allowing a soft uplight component to define the traditional acorn shape of the luminaire. A decorative aluminum cover is available. The lower refractor uses precisely molded prisms to maximize pole spacings while maintaining uniform illumination. Two refractors are available, symmetric distribution and asymmetric distribution. The cutoff optic option replaces inner glass refractor with segmented micro-metal reflector which is designed for less than 5% uplight.

LUMINAIRE HOUSING

The luminaire housing, cast of aluminum, provides an enclosure for the plug-in electrical module. Glass optical assembly is secured in the factory to this housing using stainless steel 1/4-20 bolts. 1/4-20 bolts also support the decorative rib and banding assembly. The nickel plated lamp grip socket and three station incoming line terminal block are prewired to a five conductor receptacle for ease in connection the electrical module. The slipfitter will accept a 3" by 2-7/8" to 3-1/8" O.D. tenon.

LUMINAIRE HOUSING / DOOR

Cast of aluminum, the housing / door is removable without the use of tools and is retained by a nonconductive lanyard. For units with an E.E.I.-N.E.M.A. twist lock photocell receptacle, the housing contains a "window" to allow light to reach the cell.

ELECTRICAL MODULE

The ballast components are mounted on a steel plate that is removable without the use of tools. A matching five conductor plug connects to the receptacle in the luminaire housing to complete the wiring. Where a starting aid is required, it is provided with a separate plug-in connector and can be replaced without the use of tools. For photoelectric operation, the electrical module is provided with an E.E.I.-N.E.M.A. twist lock photocell receptacle.

BALLASTS

(Refer to Ballast Data Sheet for specific operation characteristics)

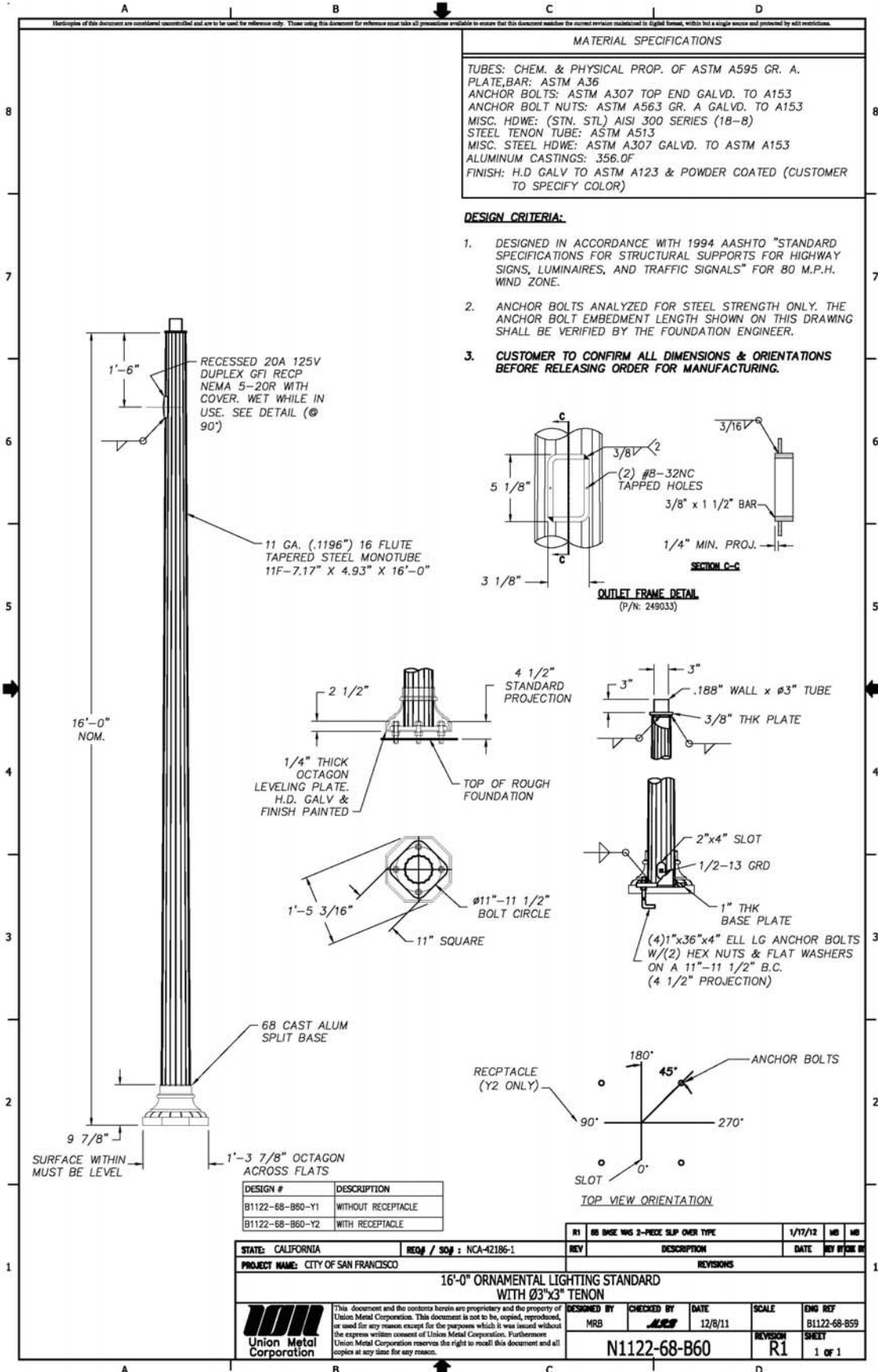
50 watt 120 volt High Pressure Sodium (HPS) ballasts are High Power Factor Reactor type. All other HPS ballast are High Power Factor Autotransformer type.

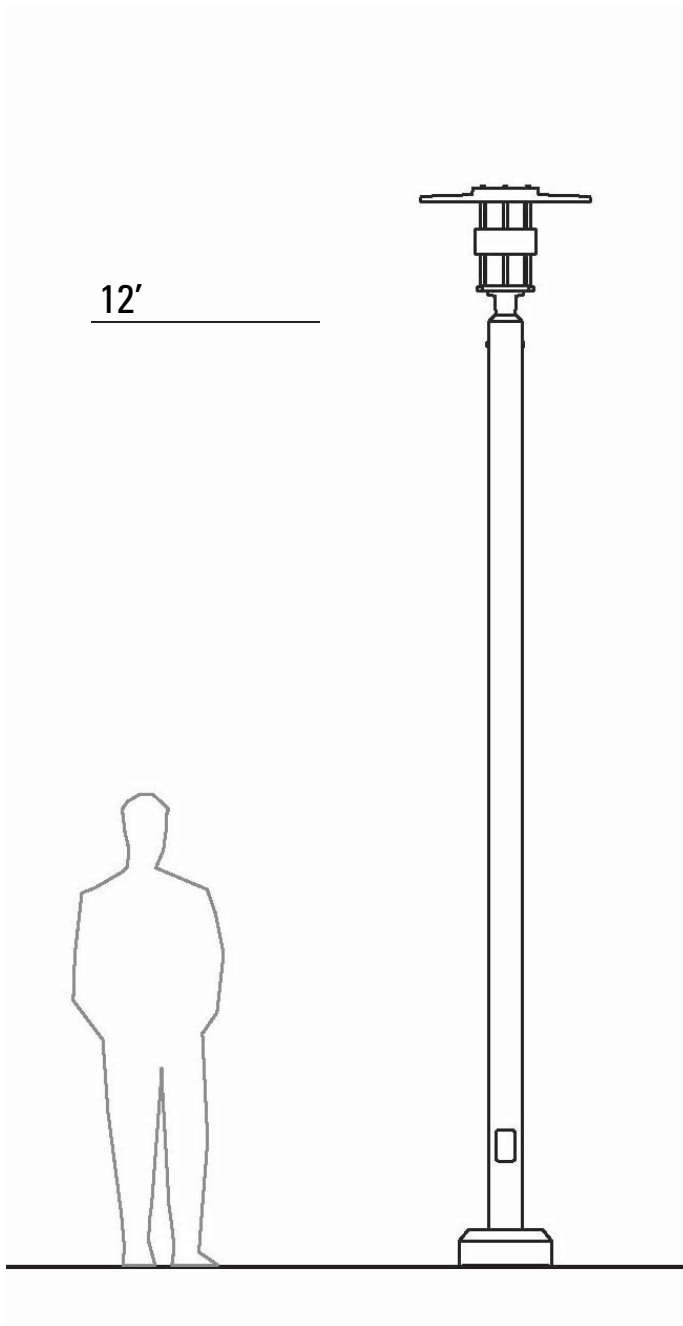
FINISH

The luminaire is finished with polyester powder paint applied after a seven stage pretreatment process to insure maximum durability.

UL LISTING

The luminaire is UL listed as suitable for wet locations at a maximum 40° C ambient temperature for HID.





DESCRIPTION

FIXTURE HEAD

- Fiber glass top shade
- Cylindrical UV stabilized polycarbonate enclosure with aluminum band at middle
- Symmetric distribution
- Dimming capability
- IP 65
- Nominal 19.3" H x 25.8" Dia.

POLE

Pole:

- Straight smooth cast aluminum pole
- Powder coat finish
- Nominal 12' H x 5" Dia.

POLE BASE

- 10" bolt circle
- 1" dia. bolts by the contractor per City requirements, 36" length min.
- Two piece base cover

FINISH:

- Powder coat finish - Natural Aluminum or Black

This fixture is new to San Francisco streets.



FIXTURE HEAD MANUFACTURER

Louis Poulsen

SATT-MIN LED/53W/4000K/120-277V/Finish option*/
T-RSA-5”-.188” Wall thickness/12’/Finish option*/10” Bolt
circle/1”x36” Anchor bolts/0-10V Dimming/Per drawing
#131-15122-002/ Mod. wireless control system

*Options:

1. Finish: Natural Painted Aluminum = NAT PAINT ALU;
Black = BLK

POLE & BASE COVER MANUFACTURER

Louis Poulsen

Included in above.

CONTROLS

- 0-10v dimming module to be included in the fixture.
- Dimming module to be compatible with City asset management wireless control system.
- A corresponding control signal receiving device with requisite antennae is to be included in the fixture head and is to be coordinated as required.

LAMP

LED

- 53W
- 4000K
- Included

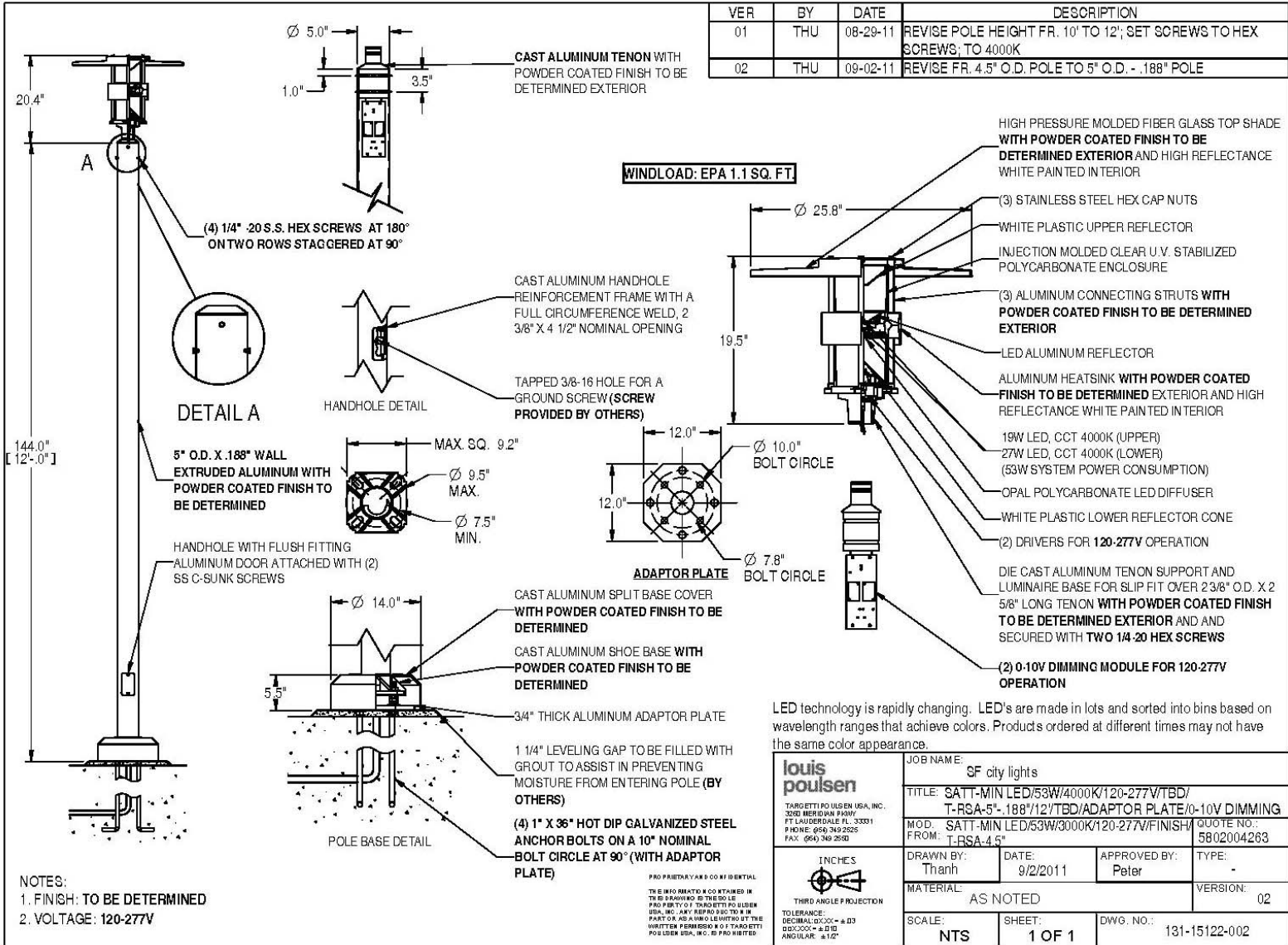
VOLTAGE

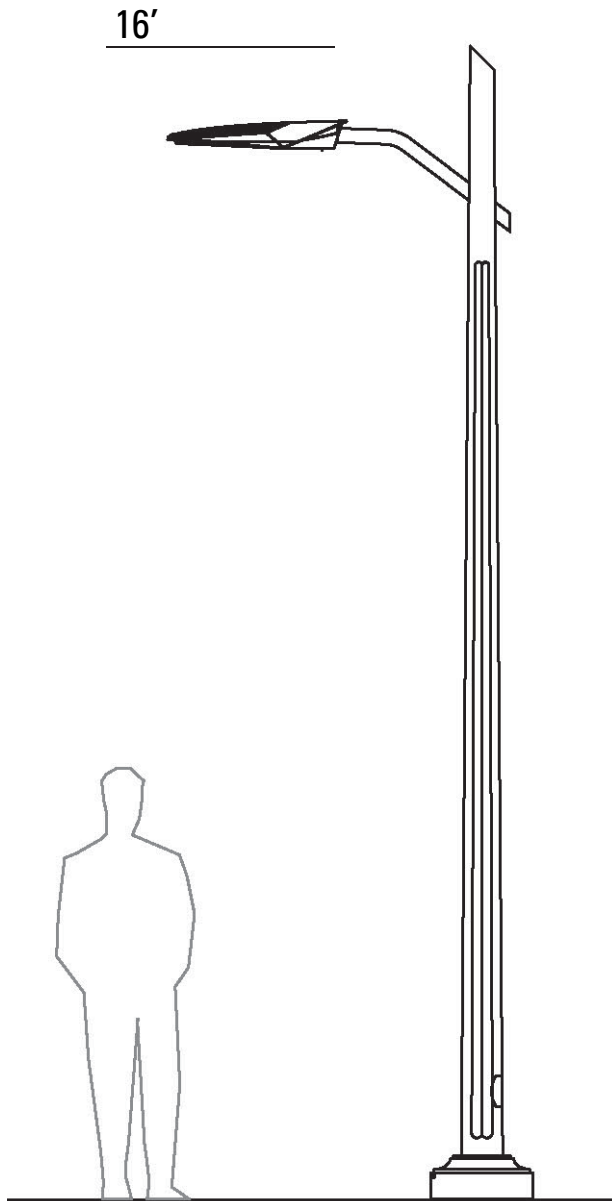
120V or 240V per Electrical Engineer

SAN FRANCISCO STREET LIGHT PLAN

FIXTURE CATALOGUE TECHNICAL DETAILS

TYPE LP170





DESCRIPTION

FIXTURE HEAD

- Die cast aluminum housing
- Type II, III, IV or V distribution as required
- Adjust tilt +/- 5 degrees
- Horizontal tenon mounted
- Dimming capability
- IP 66
- Nominal 4.25”H X 29.75” L X 13.25” W

POLE

- Round fluted tapered pole; smooth surface near top with pipe arm
- Hot-dip galvanized coating, steel pole
- Location provision for GFIC outlet box as required
- Nominal 16’ H x 7” dia. at base to 3.92” dia. top

ARM

- Arm span: 1.83’ or 4’

POLE BASE

- Standard 10.75” slotted bolt circle fits up to a 11-5/8” bolt circle
- 1” dia. x 36”L x 4” bolts provided
- Two piece, 17” dia. cast aluminum base cover

FINISH:

- Head:
Powder coat finish - Black or Natural Aluminum
- Pole:
Powder coat finish - Black
or
Galvanized Only

This fixture is new to San Francisco streets.



FIXTURE HEAD MANUFACTURER

Philips Lumec

Roadstar

GPLS-Wattage option*-Distribution option*-Voltage per EE-

Finish Option*-Mod. wireless control system-DMG

*Options:

1. Wattage: 65W = cat# 65W49LED4K, 90W = cat# 90W49LED4K
2. Distribution type: LE2, LE3, LE4, LE5
3. Finish: Black = cat# BKTX, Natural Aluminum = cat# NP

POLE & BASE COVER MANUFACTURER

Valmont

FL30-4W-700A160 - Finish option*-Arm option*- GFIC option*-

Drawing DB00945

*Options:

1. Finish: Black = cat# FP/GV/BK, Galvanized Steel = cat# GV
2. Arm: Nom. 2' = cat# 1.83' Arm, Nom. 4' = cat# 4.00' Arm
3. Provision for GFIC electrical outlet (outlet provided by contractor) = cat# FST 4' from top of pole

CONTROLS

- 0-10v dimming module to be included in the fixture.
- Dimming module to be compatible with City asset management wireless control system.
- A corresponding control signal receiving device with requisite antennae is to be included in the fixture head and is to be coordinated with location on fixture reserved for twist-lock photocell receptacle.

LAMP

LED

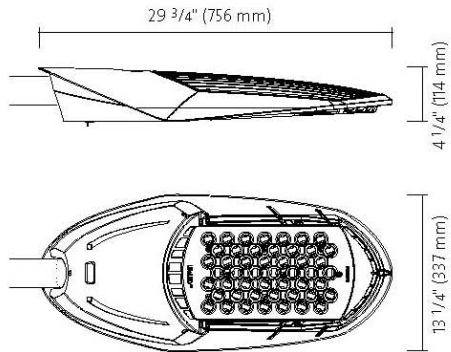
- 65W or 90W as required
- 4000K
- Included

VOLTAGE

120V or 240V per Electrical Engineer

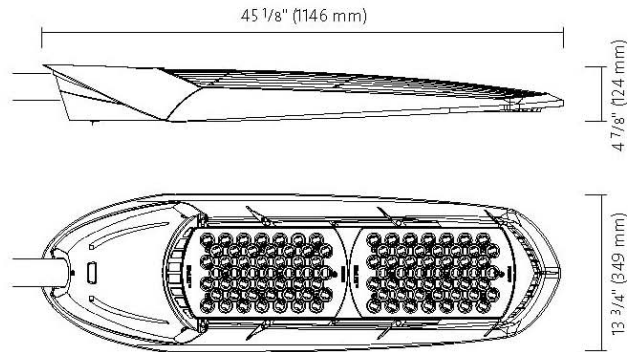
LUMINAIRES

Conform to the **UL 1598** and **CSA C22.2 No. 250.0-08** standards



GPLS

EPA: 0.76 sq. ft.
Weight: 20 lbs (9.1 kg)

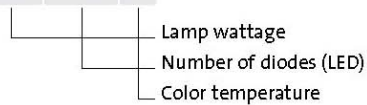


GPLM

EPA: 1.10 sq. ft.
Weight: 31 lbs (14.1 kg)

LAMPS / LED

LAMP CODE DEFINITION / 40W 49LED 4K



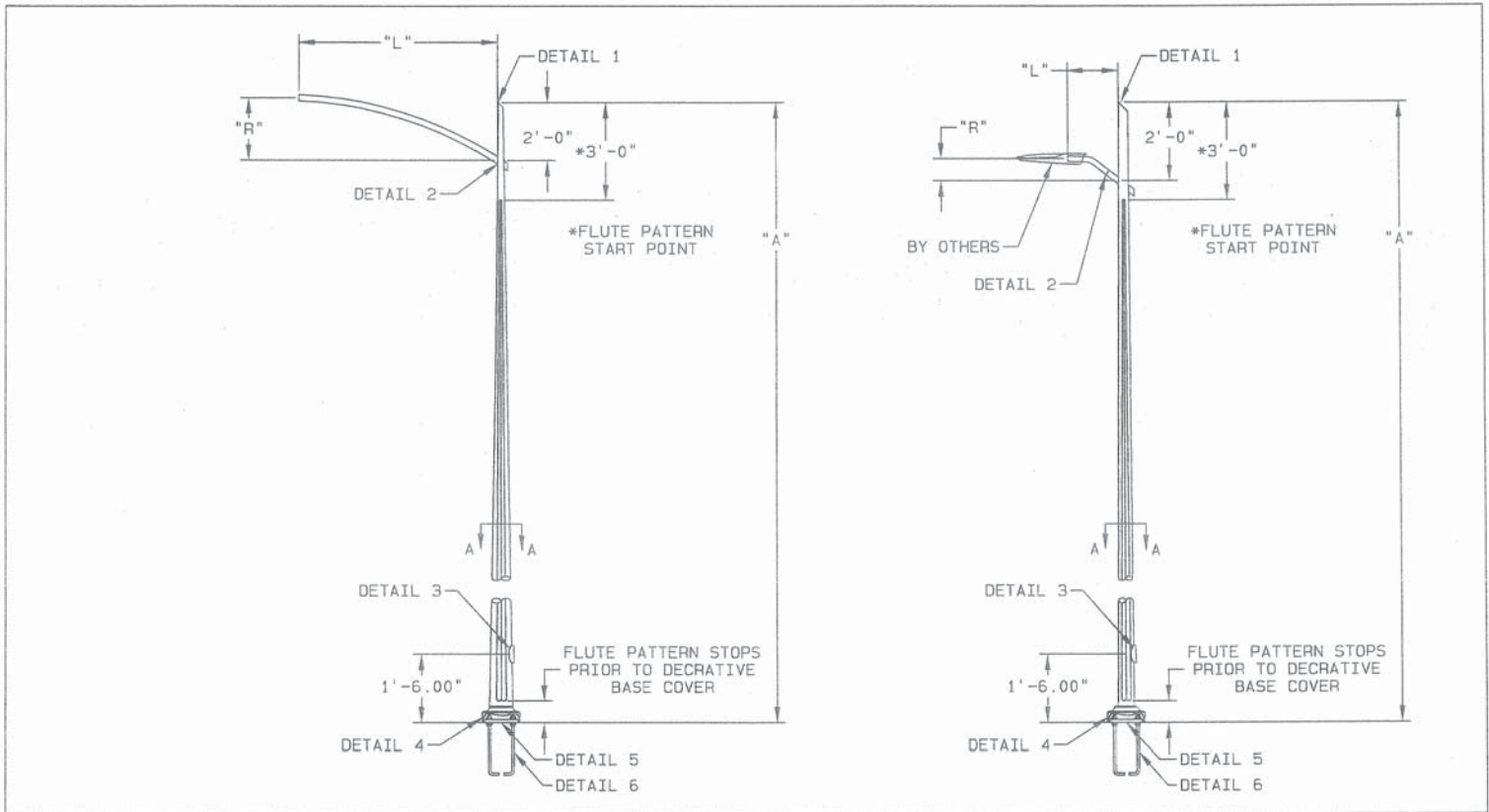
LAMP	LUMINAIRES AVAILABILITY	RATED LIFE HRS. ¹	COLOR TEMPERATURE ²	LAMP WATTAGE
40W30LED4K	GPLS	70,000	4000K	40W
40W49LED4K	GPLS	70,000	4000K	42W
60W30LED4K	GPLS	70,000	4000K	60W
65W49LED4K	GPLS	70,000	4000K	65W
90W49LED4K	GPLS	70,000	4000K	90W
105W79LED4K	GPLM	70,000	4000K	105W
130W98LED4K	GPLM	70,000	4000K	130W
150W79LED4K	GPLM	70,000	4000K	150W
180W98LED4K	GPLM	70,000	4000K	180W

¹ Rated life represents the time it takes for the LED system to reach 70% of initial lumen output.

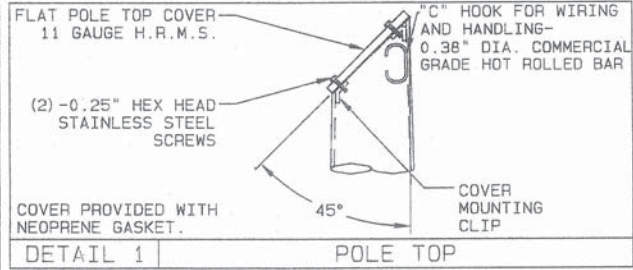
² On average.

> Lamp lumen depreciation factor: **85%**

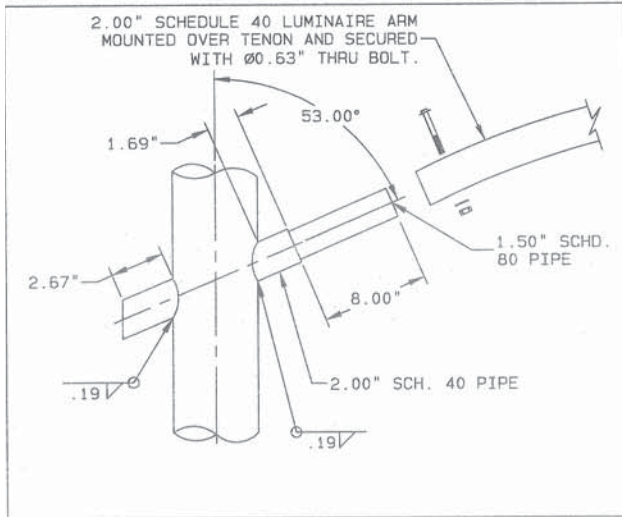
LUMINAIRE OPTION: DMG 0-10V dimming-ready power supply



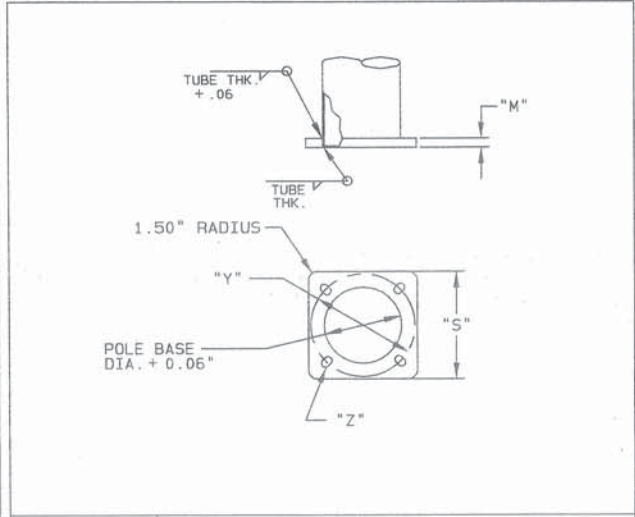
MATERIAL DATA			SECTION A-A
COMPONENT	ASTM DESIGNATION	MIN. YIELD (KSI)	
TAPERED TUBES	A595 GR. A	55	
BASE PLATE	A36	36	
LUM. ARM SHAFT	A53	36	
ANCHOR BOLTS	F1554 GR. 55	55	
GALVANIZING SHAFTS	A123	--	
GALVANIZING ACC.	A153	--	
NUTS	A563 GR. A	--	
WASHERS	F463	--	



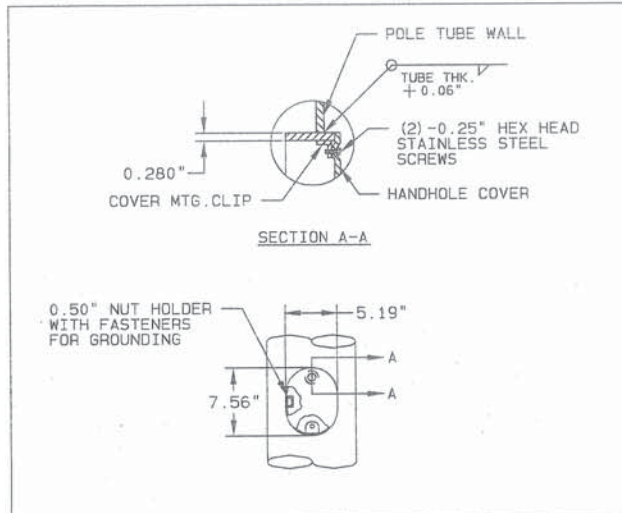
POLE AND LUMINAIRE ARM DATA																	
ITEM	QTY.	POLE TUBE				POLE BASE				ANCHOR BOLT				LUMINAIRE ARM			
		BASE DIA. (IN)	TOP DIA. (IN)	LENGTH (FT)	GAUGE OR THK. (IN)	SQUARE "S" (IN)	BOLT CIRCLE "Y" (IN)	THK. "M" (IN)	HOLE / SLOT "Z" (IN)	DIA. "K" (IN)	LENGTH "J" (IN)	HOOK "H" (IN)	THREAD LENGTH "U" (IN)	ARM SPAN "L" (FT)	RISE HEIGHT "R" (FT)	PIPE DIA. (IN)	WALL THK. (IN)
1		7.00	4.76	16.00	0.119	10.88	10.75	1.000	1.13 X 2.00	1.00	36.00	4.00	6.00	1.83	0.78	2.38	0.154
2		7.00	4.76	16.00	0.119	10.88	10.75	1.000	1.13 X 2.00	1.00	36.00	4.00	6.00	4.00	2.00	2.38	0.154
3		7.00	3.92	22.00	0.119	10.88	10.75	1.000	1.13 X 2.00	1.00	36.00	4.00	6.00	1.83	0.78	2.38	0.154
4		7.00	3.92	22.00	0.119	10.88	10.75	1.000	1.13 X 2.00	1.00	36.00	4.00	6.00	4.00	2.00	2.38	0.154
5		7.00	3.92	22.00	0.119	10.88	10.75	1.000	1.13 X 2.00	1.00	36.00	4.00	6.00	6.00	2.00	2.38	0.154
6		8.00	4.01	28.50	0.119	10.88	10.75	1.000	1.13 X 2.00	1.00	36.00	4.00	6.00	4.00	2.00	2.38	0.154
7		8.00	4.01	28.50	0.119	10.88	10.75	1.000	1.13 X 2.00	1.00	36.00	4.00	6.00	6.00	2.00	2.38	0.154



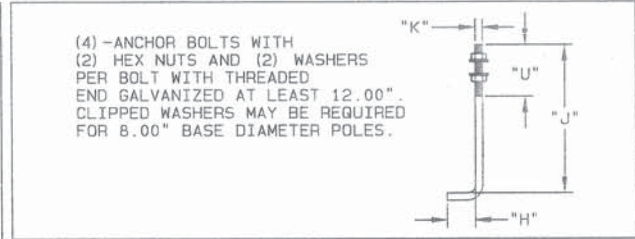
DETAIL 2 | LUMINAIRE ARM ATTACHMENT



DETAIL 5 | POLE BASE



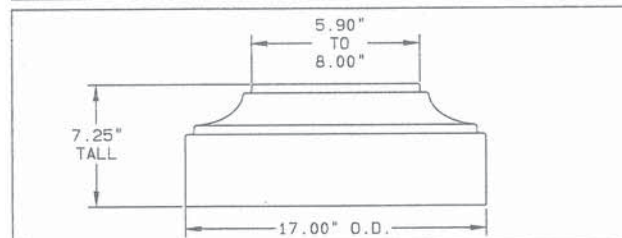
DETAIL 3 | HANDHOLE



DETAIL 6 | ANCHOR BOLT

ALTHOUGH RARE, VIBRATIONS SEVERE ENOUGH TO CAUSE DAMAGE CAN OCCASIONALLY OCCUR IN STRUCTURES OF ALL TYPES. BECAUSE THEY ARE INFLUENCED BY MANY INTERACTING VARIABLES, VIBRATIONS ARE GENERALLY UNPREDICTABLE. THE USER'S MAINTENANCE PROGRAM SHOULD INCLUDE OBSERVATION FOR EXCESSIVE VIBRATION AND EXAMINATION FOR ANY STRUCTURAL DAMAGE OR BOLT LOOSENING. THE VALMONT WARRANTY SPECIFICALLY EXCLUDES FATIGUE FAILURE OR SIMILAR PHENOMENA RESULTING FROM INDUCED VIBRATION, HARMONIC OSCILLATION OR RESONANCE ASSOCIATED WITH MOVEMENT OF AIR CURRENTS AROUND THE PRODUCT.

VIBRATION DISCLAIMER



DETAIL 4 | CL17AC DECORATIVE BASE

