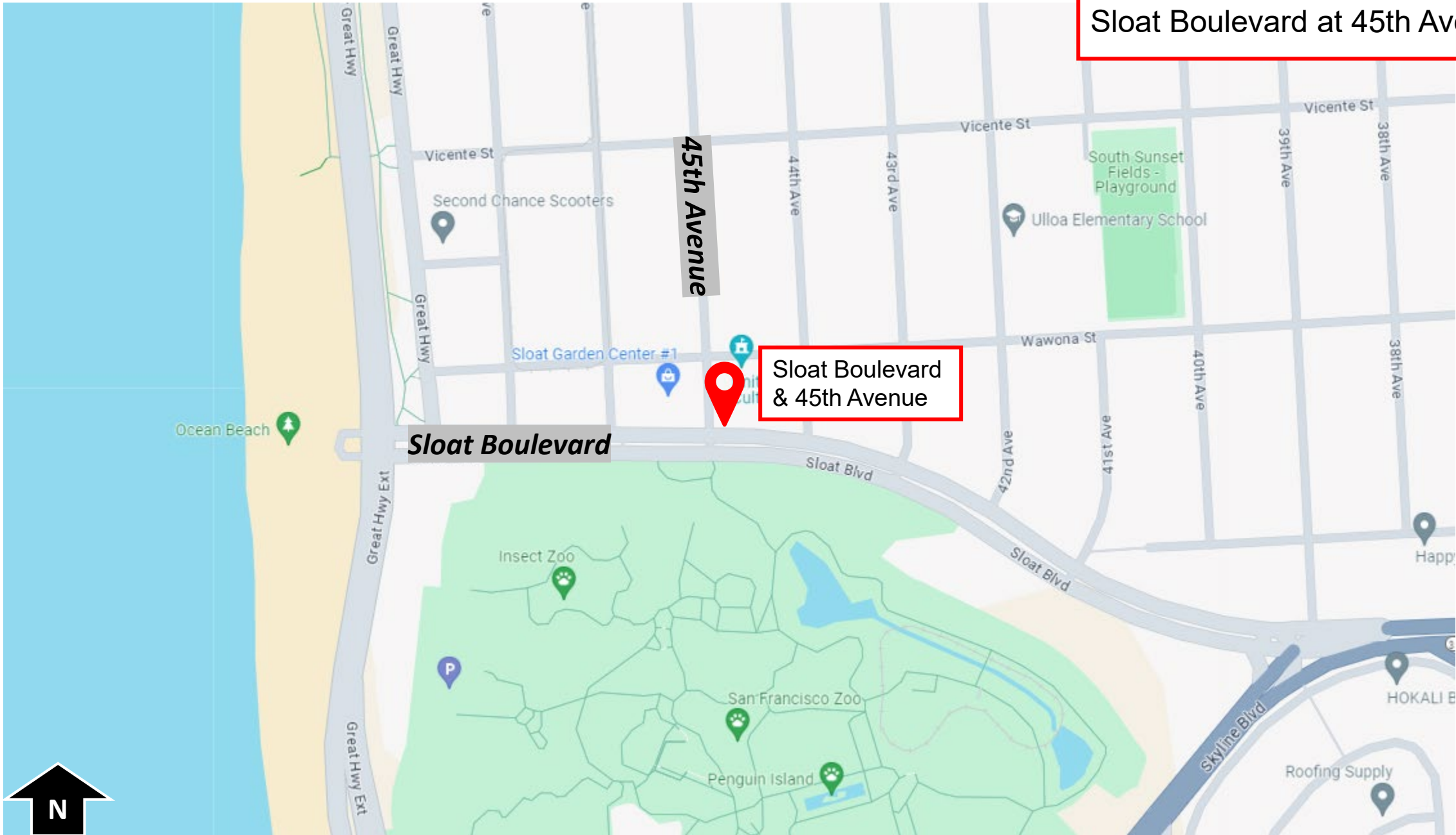


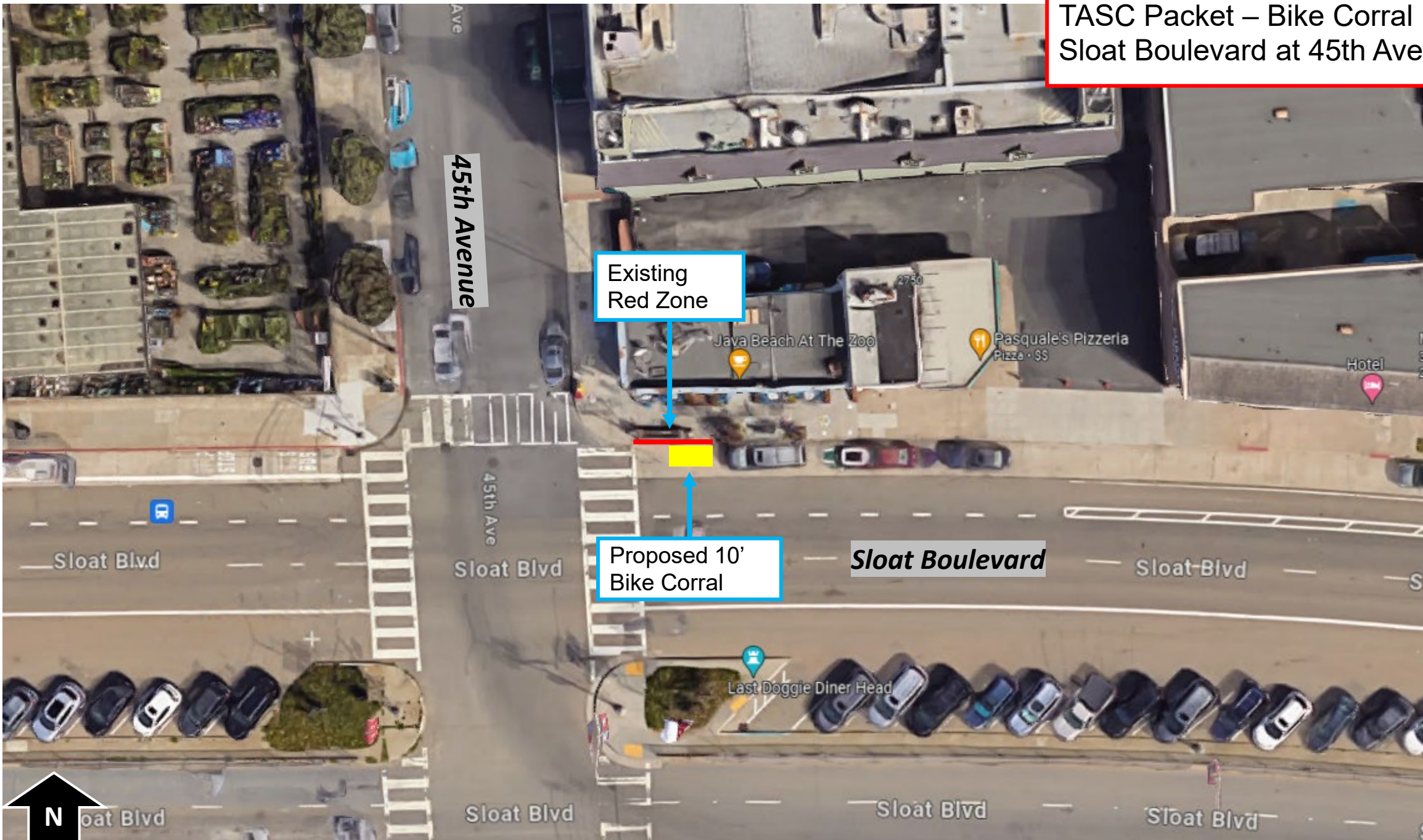
SFMTA - TASC SUMMARY SHEET

<p>PreStaff_Date: 4/16/2024</p> <p>Requested_by: SFMTA</p> <p>Handled: Grant Brokl <i>LS</i></p> <p>Section Head: M Sallaberry <i>MS</i></p>	<p><input type="checkbox"/> Public Hearing Consent</p> <p><input checked="" type="checkbox"/> Public Hearing Regular</p> <p><input type="checkbox"/> Informational / Other <small>PH - Regular</small></p>	<p>No objections: _____</p> <p>Item Held: _____</p> <p>Other: _____</p>
<p>Location: Sloat Boulevard at 45th Avenue</p>		
<p>Subject: On-Street Bicycle Parking</p>		
<p>PROPOSAL / REQUEST: ESTABLISH – NO PARKING ANYTIME EXCEPT BICYCLES</p> <p>Sloat Boulevard, north side, from 10 feet to 20 feet east of 45th Avenue.</p> <p>(Supervisor Districts 4 and 7)</p> <p>This proposal would establish an on-street bicycle corral in an existing red zone at the intersection of Sloat Boulevard and 45th Avenue.</p> <p>Grant Brokl, grant.brokl@sfmta.com</p>		
<p>BACKGROUND INFORMATION / COMMENTS</p> <p>This proposal establishes a bike corral on the north side of Sloat Boulevard in an existing daylighting (red curb) zone. SFMTA staff determined a bicycle corral is appropriate at this location. This proposal does not remove existing parking.</p>		
<p>HEARING NOTIFICATION AND PROCESSING NOTES:</p>	<p>ENVIRONMENTAL CLEARANCE BY: <input checked="" type="checkbox"/> SFMTA <input type="checkbox"/> Attached <input type="checkbox"/> Pending</p>	
<p>CHECK IF PREPARING SEPARATE SFMTA BOARD CALENDAR ITEM FOR PROPOSAL: <input type="checkbox"/></p>		

TASC Packet – Bike Corral
Sloat Boulevard at 45th Avenue



TASC Packet – Bike Corral
Sloat Boulevard at 45th Avenue



Existing Red Zone

Proposed 10' Bike Corral

45th Avenue

Sloat Boulevard

Sloat Blvd

45th Ave
Sloat Blvd

Sloat Blvd

Java Beach At The Zoo

Pasquale's Pizzeria
Pizza • \$\$

Last Doggie Diner Head

N
Sloat Blvd

Sloat Boulevard, north side, from 10 feet to 20 feet east of 45th Avenue

TASC Packet – Bike Corral
Sloat Boulevard at 45th Avenue



Existing Red Zone

45th Avenue

Proposed 10'
Bike Corral

10'

Sloat Boulevard



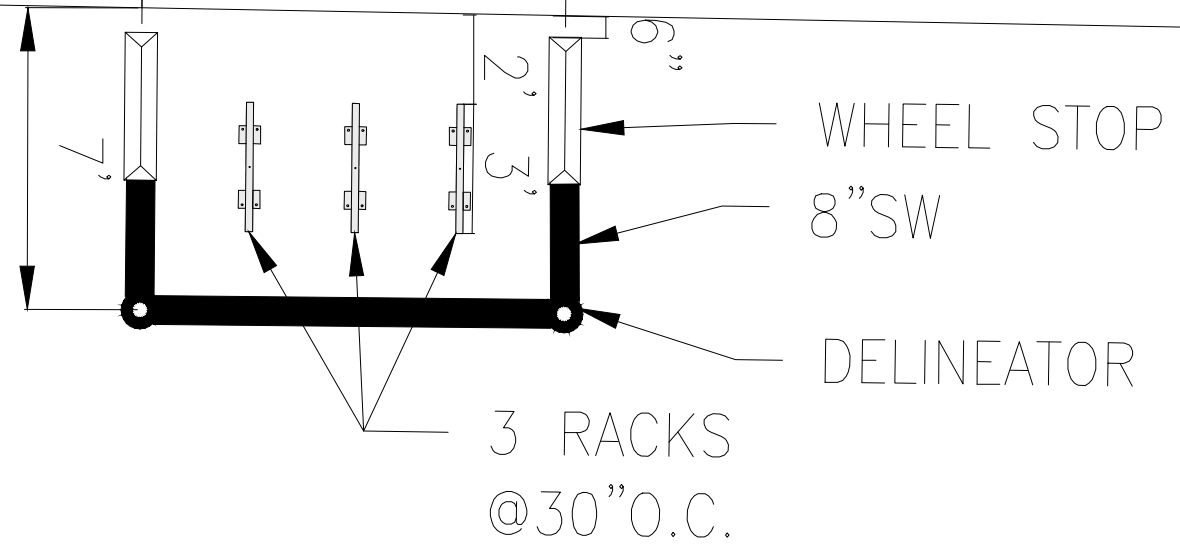
45TH AVE

SLOAT BLVD



10'

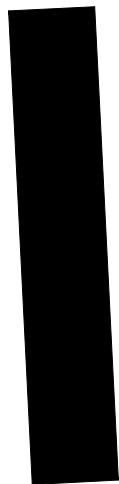
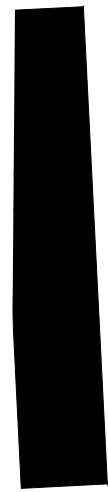
10'



WHEEL STOP
8" SW

DELINEATOR

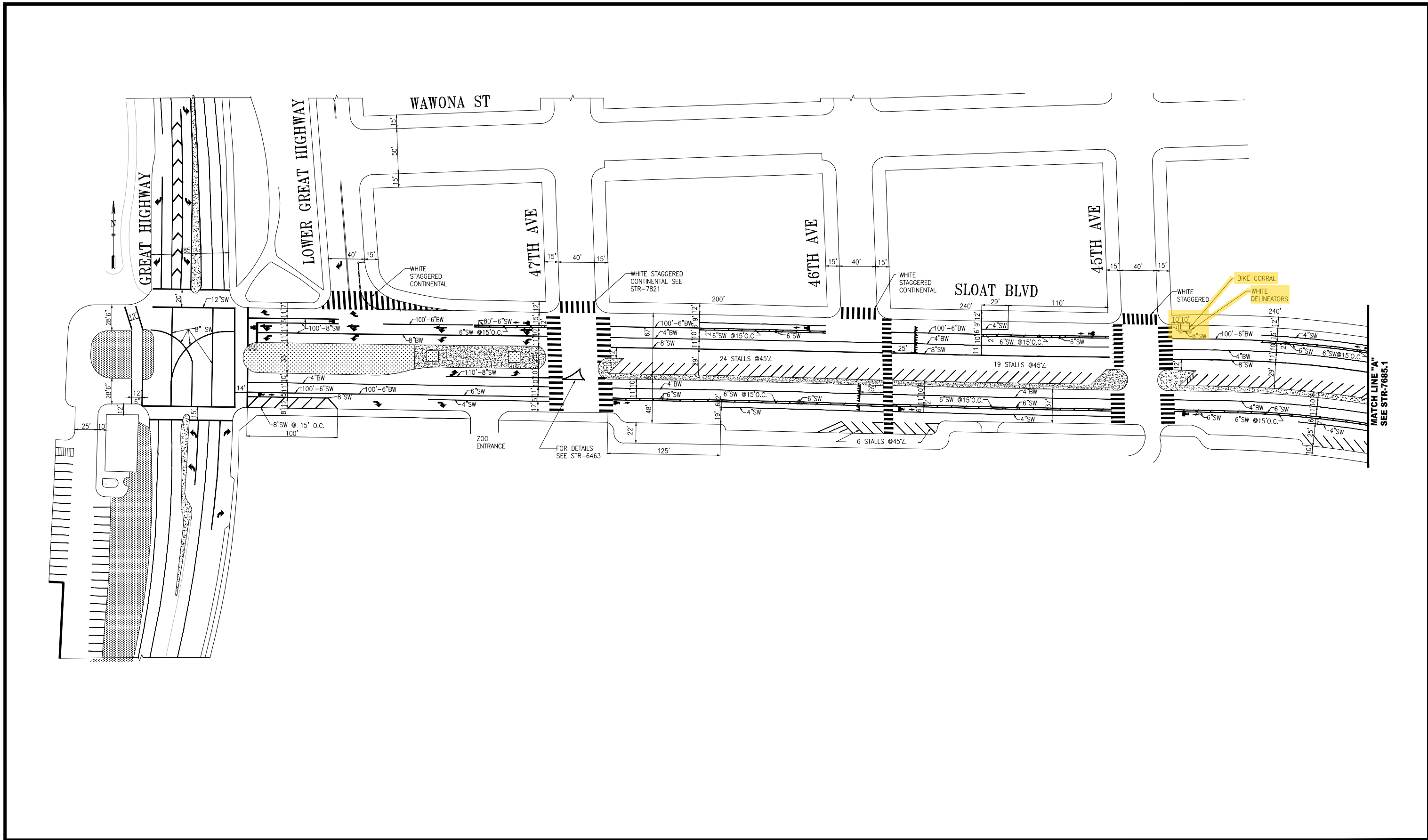
3 RACKS
@ 30" O.C.



SFMTA



		APPROVED		SCALE:			CONTRACT NO.
DRAWN:	DATE:	SENIOR ENGINEER	DATE:				DRAWING NO.
CHECKED:	DATE:	CITY TRAFFIC ENGINEER	DATE:	SHEET/SHEETS:			FILE NO.
							REV. NO.



NO.	DATE	DESCRIPTION	BY	APP
1	12/30/15	ADDED BUFFER TO BIKE LANE: GREAT HIGHWAY TO 44TH AVE	G. DELEON	M. SALLABERRY
2	01/29/15	ADDED WHITE STAGGERED CONTINENTALS @ 45TH AVE	J. HORNPOSTEL	M. VELASCO
3	10/22/14	ADDED STAGGERED CONTINENTALS AT 46TH AND 47TH AVE	J. BANKS	DV. SCHWENK
4	07/22/13	ROAD DIET AND ADDED BIKE LANES FROM GREAT HWY TO 39TH AVE	M. RIEBE	DV. SCHWENK
5	04/01/14	ADDED YIELD LINES AT 46TH & 47TH	LB. STONEHILL	M. SALLABERRY

TABLE OF REVISIONS
CHECK WITH TRACING TO SEE IF YOU HAVE LATEST REVISION



DRAWN: T.ABDALLAH 8/04 CHECKED: R.OLEA 8/04	DATE: 8/04 DATE: 8/04	APPROVED THOMAS FOLKS 03/22/06 SENIOR ENGINEER JACK L. FLECK 03/27/06 CITY TRAFFIC ENGINEER	SCALE: 1"=50' SHEET/SHEETS: 1 OF 7
--	--------------------------------	---	---

CONTRACT NO. DRAWING NO. STR-7685 FILE NO. REV. NO. 5	TRAFFIC STRIPING SLOAT BOULEVARD GREAT HIGHWAY TO 44TH AVENUE
--	---

EXTERNAL REFERENCES:
 FONTS USED:
 SCALE FACTOR:
 PLOT SCALE:
 ORIGIN: OPERATIONS
 FILE NAME:
 DATE:

