



**CITY AND COUNTY OF SAN FRANCISCO  
MUNICIPAL TRANSPORTATION AGENCY (SFMTA)  
STANDARD BICYCLE RACK SPECIFICATIONS**

- Shape:** Circular Rack (see diagram at end)
- Rack Material:** **Hoop:** 2" x 2" by 3/16" (0.188") wall square tube; with two approximately 5/16" (0.3125") drainage holes in line at top of rack  
Reference: ASTM A500 Standard Specification for Welded and Seamless Carbon Steel Structural Tubing in Rounds and Shapes
- Flanges:** Two 5" x 6" (five inches by six inches) flanges, 3/8" (0.375") thick plate; with three 9/16" (0.5625") mounting holes on each flange; with one approximately 1" drainage hole on each flange
- Rack Coating:** Zinc Coated (Hot-Dip Galvanized)  
Reference: ASTM A-123 Standard Specifications for Zinc (Hot-Dip Galvanized) Coatings on Iron and Steel Products
- Dimensions:** **Rack Width:** 36" (to outside dimensions)  
**Distance Between Flanges (center to center):** 18"  
**Height:** 32"  
**Alignment:** Hoop shall be laterally aligned within a range of tolerance of 1" (e.g.: when hoop is laid flat, no part of the underside of the rack, excepting flanges, will rise higher than 1" off of flat surface).
- Please see diagram at end for additional information.
- Mounting:** Surface Mount
- Fasteners:** Per bike rack:
- Two 0.5" x 2.75" Powers Spike® Pin Anchor Mushroom Head Spike (Catalog Number 5569) or approved equal, and

Edwin M. Lee  
Mayor

Tom Nolan  
Chairman

Cheryl Brinkman  
Vice-Chairman

Leona Bridges  
Director

Malcolm Heinicke  
Director

Jerry Lee  
Director

Joél Ramos  
Director

Cristina Rubke  
Director

Edward D. Reiskin  
Director of  
Transportation

One South Van Ness Ave.  
Seventh Floor  
San Francisco, CA 94103

Tele: 415.701.4500

www.sfmta.com



- Four 0.5" x 3.75" Powers Power-Stud™ Wedge Expansion Anchor Threaded Power-Stud Assembly (Catalog Number 7422) or approved equal

Fasteners shall be zinc plated carbon steel

Loctite® Threadlocker Red 262™ shall be applied to the fastener threads prior to installation

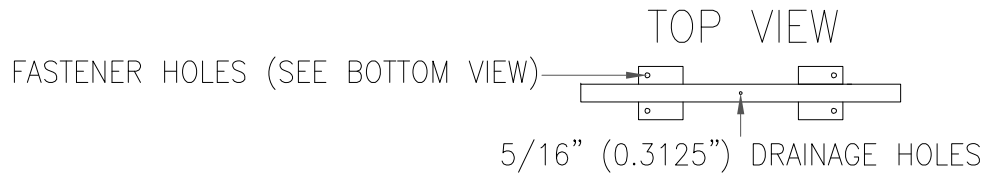
**Welding:**

American Welding Society D1.1 Structural Welding Code Steel.

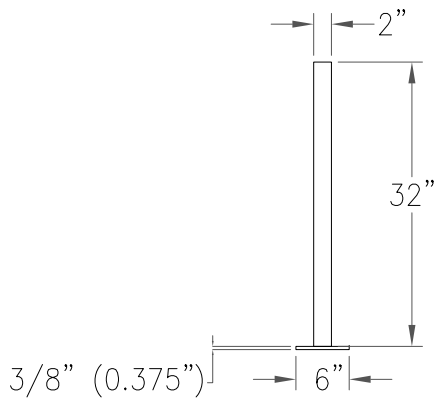
All welding shall be done by experienced and qualified welders in accordance with the standards and requirements of AWS D1.1 The Successful Contractor or manufacturer shall provide suitable means for clamping and holding members during the welding in order that warping or distortion of the structure shall be minimized. All welds shall have a 1/4-inch extra length at each end to allow for craters. Particular care shall be exercised to prevent undercutting or reducing the section of the material being welded. Grind exposed welds smooth.

**Fabrication:**

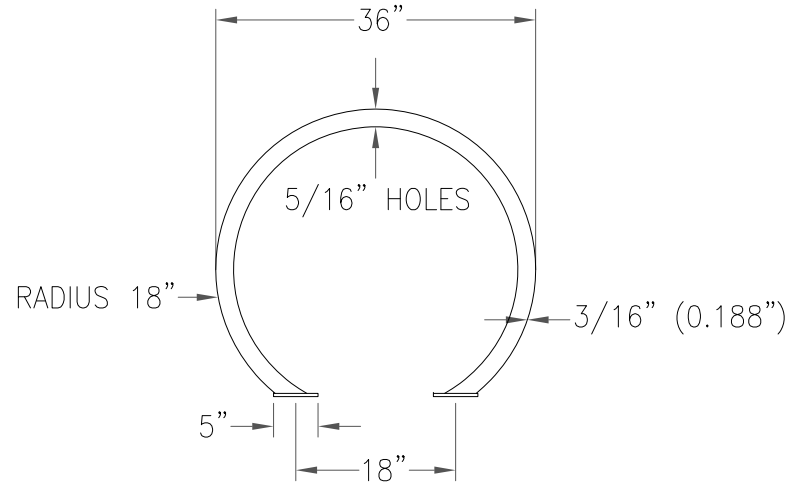
Fabricate all steel for bicycle racks in accordance with the requirements of the Specifications. Identify all steel at the mill showing grade and yield points. Fabricate and assemble the steel segments in the shop to the greatest sizes possible without detriment to handling, transporting and erection in the field.



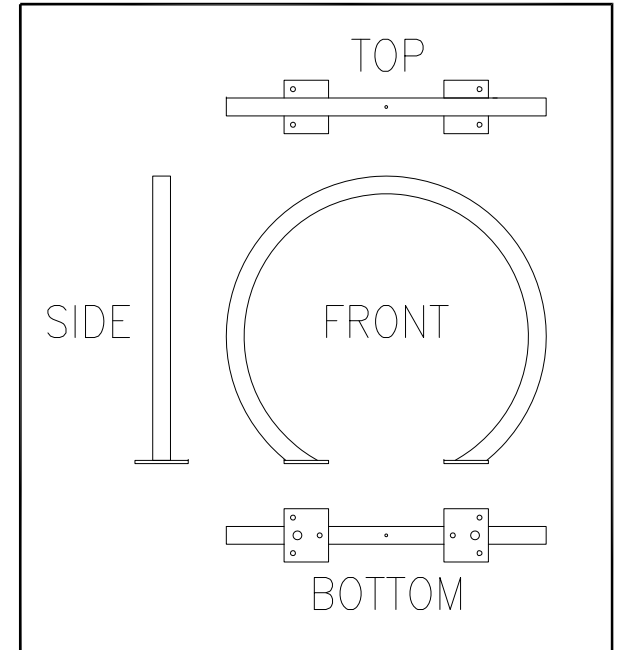
SIDE VIEW



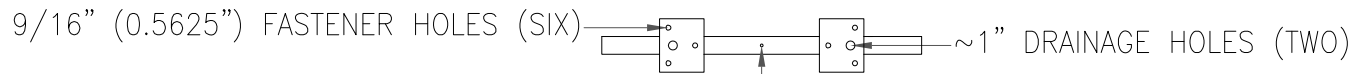
FRONT VIEW



VIEW WITHOUT DIMENSIONS



BOTTOM VIEW



DRAINAGE HOLES (SEE TOP AND FRONT VIEWS)

THREE 9/16" (0.5625") FASTENER HOLES PER FLANGE (SIX TOTAL HOLES)

ONE ~1" DRAINAGE HOLE ALIGNED WITH SQUARE TUBING PER FLANGE (TWO TOTAL HOLES)

NO.	DATE	DESCRIPTION	BY	APP.
TABLE OF REVISIONS				
CHECK WITH TRACING TO SEE IF YOU HAVE LATEST REVISION				



SAN FRANCISCO MUNICIPAL TRANSPORTATION AGENCY  
CITY AND COUNTY OF SAN FRANCISCO

DESIGNED: RD	DATE: 04/21/2013
DRAWN: RD	DATE: 04/21/2013
CHECKED:	DATE:

APPROVED	DATE:
SECTION ENGINEER	DATE:
CITY TRAFFIC ENGINEER	DATE:

SCALE: AS SHOWN
SHEET OF SHEETS: 1 OF 1

BICYCLE PARKING  
MUNICIPAL TRANSPORTATION AGENCY  
CITY & COUNTY OF SAN FRANCISCO

DESIGN DIMENSIONS  
STANDARD BICYCLE RACK  
PUBLIC RIGHT-OF-WAY

CONTRACT NO.
DRAWING NO.
FILE NO.
REV. NO. 0



IMAGE: Installed San Francisco Standard Circular Bicycle Rack